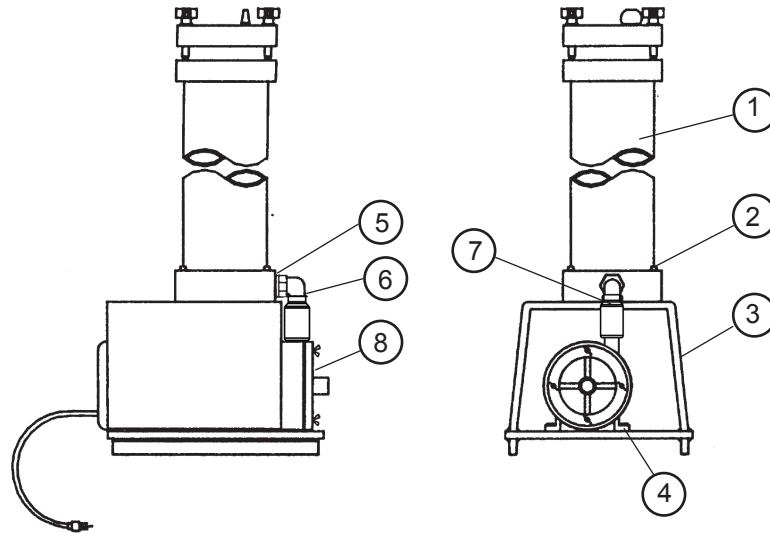




# MINI SPACE-SAVER® 'LB' FILTRATION SYSTEMS

PARTS LIST  
P-0010\_P  
SEPT 2012



Refer to Bulletin F-204,  
Operation and Service Guide  
O-390. Include Model & Serial  
Numbers when ordering parts.

| ITEM | DESCRIPTION   | PART NUMBERS                         |
|------|---|--------------------------------------|
| 1    | Series "L" Filter chamber - see Parts List Number   | P-9700                               |
| 2    | Hex head bolt, 1/4"-20 x 2 1/4" - stainless steel (4 req'd)<br>Flat washer, 1/4" - stainless steel (4 req'd)<br>Whiz nut, 1/4"-20 - stainless steel (4 req'd) | 11-0428<br>11-0121<br>11-0103        |
| 3    | Hooded base -PVC  | 77-9996                              |
| 4    | Hex head bolt, 1/4"-20 x 1" - stainless steel (4 req'd)<br>Flat washer, 1/4" - stainless steel (4 req'd)<br>Whiz nut, 1/4"-20 - stainless steel (4 req'd)     | 11-0415<br>11-0121<br>11-0103        |
| 5    | Nipple - close - CPVC<br>- PP<br>- PVDF   | 33-1005<br>33-1005-PP<br>33-1005-K   |
| 6    | Elbow 3/4" - CPVC<br>- PP<br>- PVDF   | 33-0993<br>33-0993-PP<br>33-0993-K   |
| 7    | Adapter Coupling - CPVC<br>- PP<br>- PVDF   | 88-3581-C<br>88-3581-PP<br>88-3581-K |
| 7A   | "O"-ring (2 req'd) - EPDM<br>- Viton  | 22-2316-C<br>22-2316-V               |
| 8    | Pump & motor assembly - See Parts List Number   | P-2800                               |



**SERFILCO®**

2900 MacArthur Blvd.  
Northbrook, IL 60062-2005 U.S.A.  
e-mail: sales@serfilco.com  
www.serfilco.com

847-509-2900  
800-323-5431  
FAX: 847-559-1141