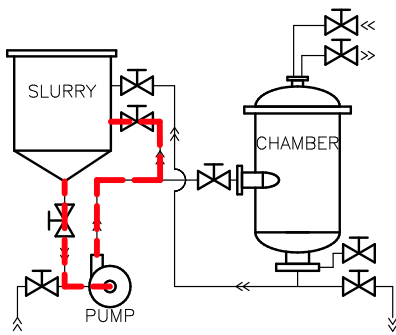
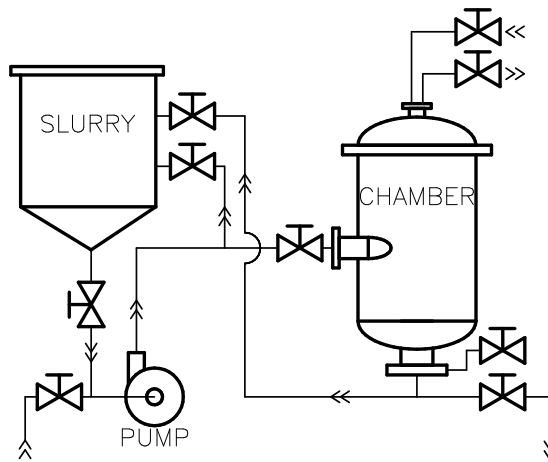
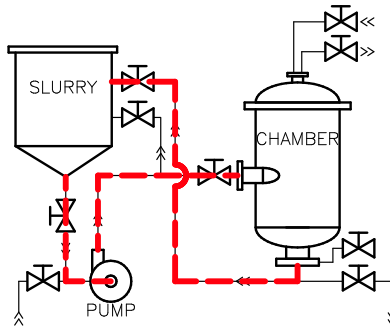


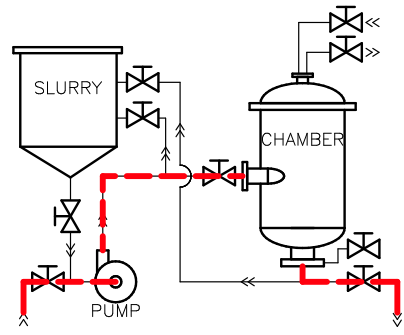
Single System Piping Schematic



Slurry mix



Pre-Coat



Filtration

Double System Piping Schematic

