



SERFILCO®

'AQUANAUT' POOL CLEANING SYSTEM

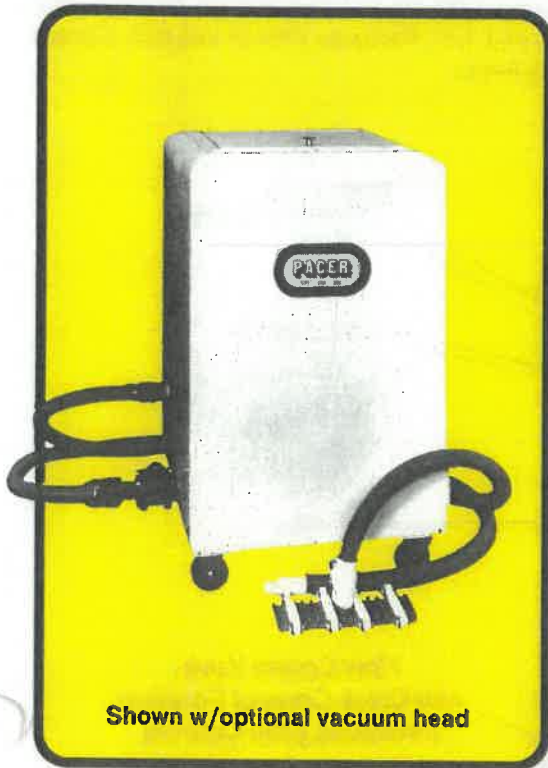
BULLETIN
F-650A
JAN. 1989

Use to vacuum, recirculate, transfer, pump-out and filter

for . . .

**HOTELS, SHOPPING MALLS, INDUSTRIAL,
OFFICE & PUBLIC BUILDINGS**

- **OUTDOOR SWIMMING LAGOONS**
- **DECORATIVE FOUNTAINS or
WATERFALL BASINS**
- **REFLECTIVE PONDS**
- **INDOOR SWIMMING POOLS**
- **OCEANIC & FRESH WATER AQUARIUMS
& MARINE TEST TANKS**
- **BOILER AND COOLING TOWERS**



Shown w/optional vacuum head

- *Higher flow rates*
3 Sizes - 70, 90 & 100 GPM
- *Faster vacuuming,
lower labor costs*
- *Larger dirt holding capacity*
- *Easy cleaning*

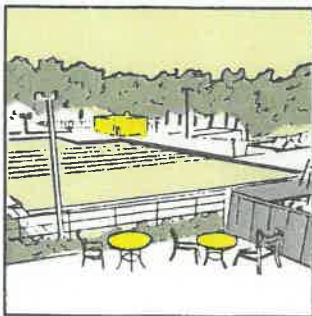
The 'AQUANAUT' Cleaning System is designed specifically to enhance the beauty of all forms of water-related reservoirs. Totally portable, the system is housed in an aesthetically pleasing enclosure; quiet, nondisturbing to those in close proximity.

The 'AQUANAUT' system is easily operated by an attendant in conjunction with standard pool vacuuming accessories. Once primed, the pump will pull liquid from depths of 15 to even 25 feet . . . and, therefore, is capable of vacuuming

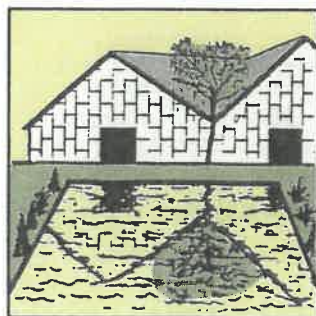
inaccessible areas or collecting dirt which would otherwise interfere with standard pool recirculating filter systems. The 'AQUANAUT' is offered in three sizes, but others having higher flow rates are available on special order.

Pump is always primed, ready to pull debris from any underwater surface. Filter employs cleanable/reuseable media. (Filter media ordered separately.)

System is housed in hand-crafted cabinet with two access doors to service filter chamber and pump strainer.



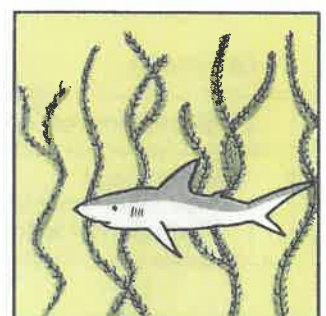
SWIMMING POOLS



REFLECTIVE PONDS



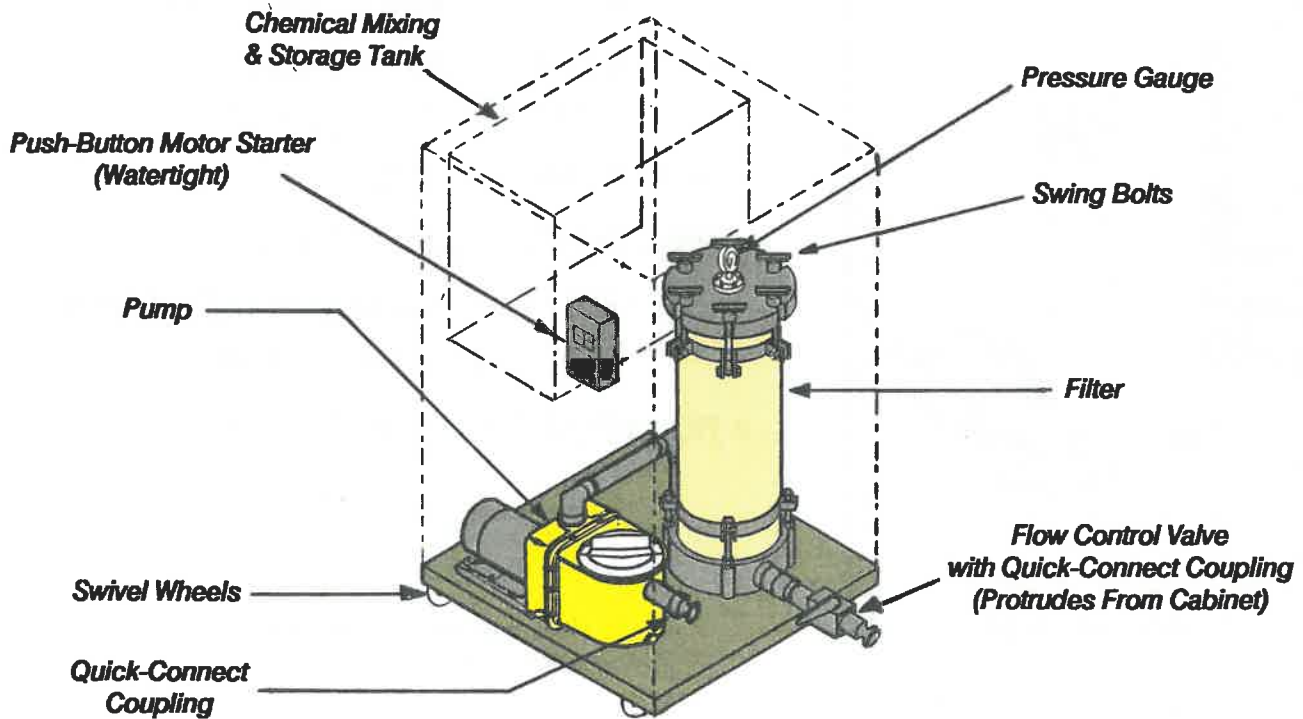
PARKS



AQUARIUMS

The filter chamber is constructed of PVC (polyvinyl chloride) with a molded cover and base and tee-handle cover closure for easy removal of cartridges. Pressure gauge, mounted on polypropylene gauge guard with hypalon diaphragm, and polyester vent plug are standard, both mounted on cover. The self-priming Noryl[®] pump, with built-in easy-to-clean basket strainer, resists chemical attack from chloride and other purifying agents. Motor is ODP, 3450 RPM, 115-230/1/60 with push button, watertight, thermally protected

motor starter. Quick-connect couplings are included for easy hose attachment. Storage cabinet is weatherproof, made of phosphatized steel and coated with two-part epoxy white paint. Cabinet accommodates hose for neat storage. Filter discharge is fitted with a flow control valve, which is located on exterior of cabinet. Two 4" fixed and two 4" swivel wheels are mounted to base for roll-around mobility. 25 feet of 1-1/2" discharge hose is included. Consult factory for longer hose.



TO ORDER:

MODEL	MOTOR H.P.	MAX. FLOW RATE (GPH)	MAX. PSI	DIMENSIONS L x W x H	SHIPPING WEIGHT	PRICE CODE NO.
PL240S 1-1/2P WABT1-1/2AB M.5C-G3A	.5	4200	20	28-1/2"x28-1/2"x47"	80lbs.	2840
PL240S 1-1/2P WABT1-1/2CB M1.QC-G3A	1.0	5400	26			2841
PL360S 1-1/2P WABT1-1/2DB M1.5C-G3A	1.5	6000	30			2842

OPTIONAL:

	PRICE CODE NO.
Replacement cartridges	R30
Vacuum head w/rollers for solid surfaces w/brush for liners	Available from your local pool supplier

F.O.B. Glenview, IL.



SERFILCO, LTD.

1234 Depot Street
Glenview, IL 60025 U.S.A.
Telex: 289557 SERFC UR

312/998-9300
800-323-5431
FAX: 312-998-8929

DISTRIBUTED BY

(Printed in U.S.A.)