

CARTRIDGE / BAG FILTRATION SYSTEM

BULLETIN
F-602
NOV. 1992

SERIES 'CB'

FOR:



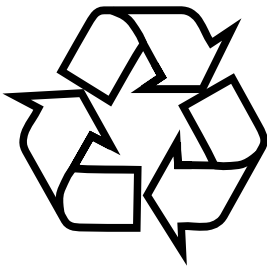
Shown with
cover open.

RECIRCULATING FILTRATION ON A RECYCLING WASHER FOR GLASS OR PLASTICS

- Reusable filter media
- Provides water reuse assuring a fast payback
- Prevents nozzle plugging
- Provides better cleaning
- Prevents pollution
- No backwash required
- Easy to service

The **SERFILCO 'CB' Filter** is a liquid-solid separation system employing gravity flow filter bags which collect the bulk of particles separated from rinse water. Filter bags are attached to a manifold with cam lock quick-disconnect couplings for minimum down-

time when servicing. Manifold includes overflow vent which prevents back-up of system flow. Circulating pump and pressure filter with gauge recycles clear water to machine or discharge to drain.



FEATURES:

- Flow control valve
- High solids loading
- Vinyl coated steel base

BOTTLE WASHER

CARTRIDGE / BAG
SYSTEM

Cartridge / Bag System specifically designed for removing particles from glass and plastic recycling rinse water.

Entire system constructed of corrosion resistant materials for long service life.

PRIMARY FILTER TANK

Eight 5, 10, 25, 50 or 100 micron density bags (ordered separately) with quick-disconnect couplings provide 17.6 sq. ft. (1.6 sq. M) total area primary filtration by gravity flow to 36" x 24" x 32" (914 x 610 x 813 mm) deep polyethylene reservoir. Reservoir provided with cover.

PVDF CENTRIFUGAL PUMP

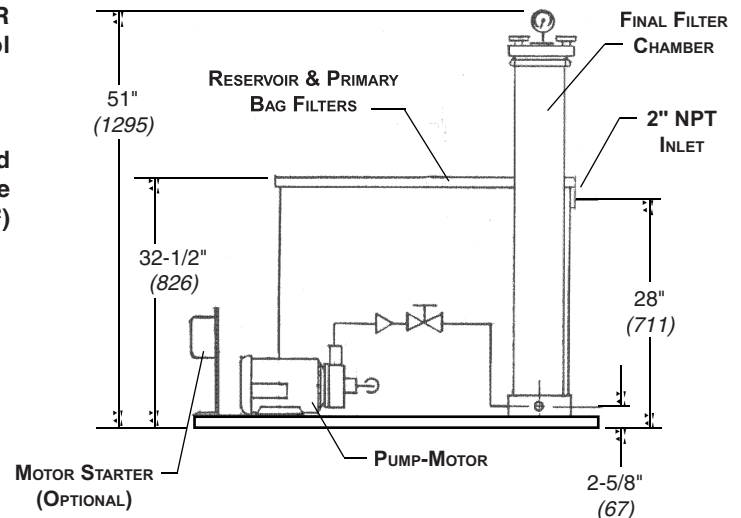
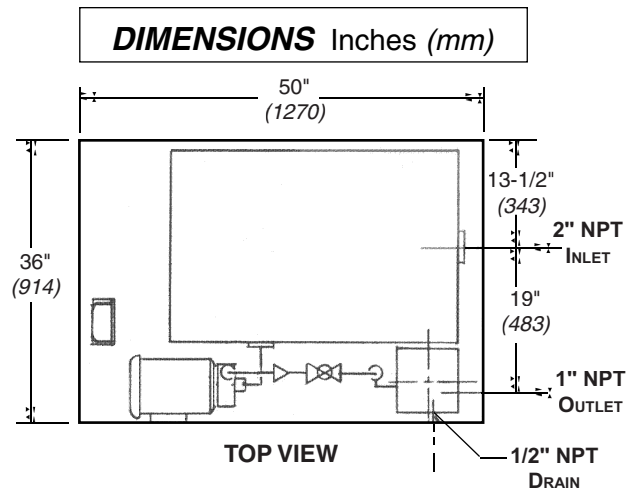
Provides 30 U.S. GPM at 18 PSI @ 60 Hz (95 LPM at .84 BAR @ 50 Hz) with Viton® mechanical seal and "O"-ring. Control valve on 1" PVC pipe between pump and final filter.

FINAL TRAP FILTER CHAMBER

Constructed of PVC with quick opening swing bolts and tee handles. Supplied with pressure gauge. Includes one 4" x 36" pleated filter cartridge of 2 micron, 32 sq. ft. (3.0 M²) expanded filter area.

VINYL COATED STEEL BASE

Approximate shipping weight - 200 lbs. (91 Kg.)



TO ORDER

MODEL	MOTOR	PRICE CODE NO.
	TEFC, 1½ H. P. 3450 RPM @ 60 Hz 2850 RPM @ 50 Hz	
CBF 65x58-C1.5	115-230/1/60	2750
CBF 65x58-D1.5	230-380-460/3/50-60	2751

OPTIONAL

DESCRIPTION	PRICE CODE NO.
PORTABLE Two fixed wheels and two swivel casters	O-2258
MOTOR STARTER Watertight push button, 115-230/1/50-60 230-460/1/50-60	MS1P MS3P 88-0848A
FILTER MEDIA (Bags ordered separately, 1 cartridge included in original equipment.) Bags - Polypropylene, size 7" x 16" (8 req'd) 5 micron 10 micron 25 micron 50 micron 100 micron	88-0848B 88-0848C 88-0848D 88-0848E PL436-2-4
Replacement pleated cartridge 2 micron (1 required)	

Viton is a registered trademark of DuPont.

F.O.B. Northbrook, Illinois