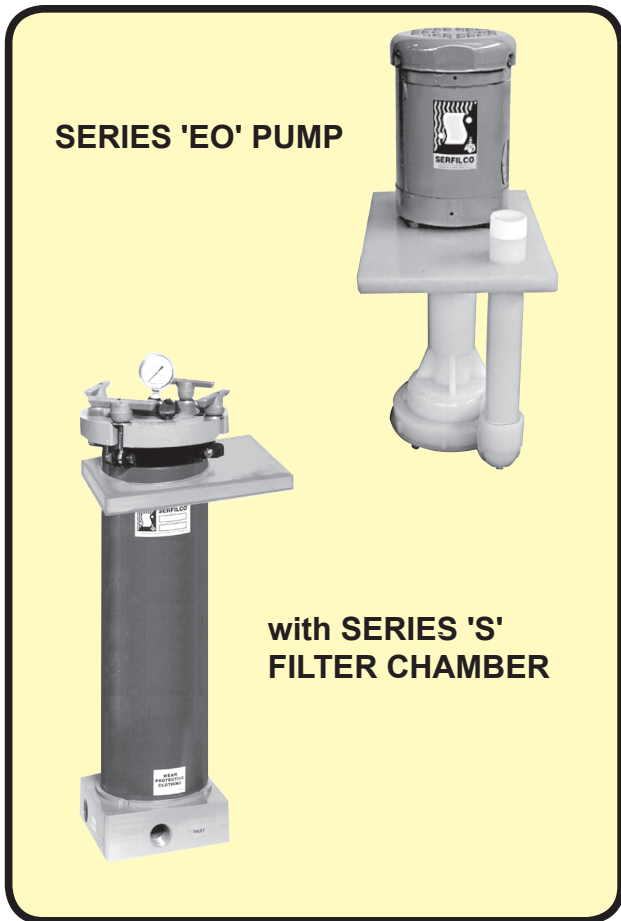


ADMIRAL[®] FILTRATION SYSTEMS

2900 MacArthur Blvd. Northbrook, IL. USA 60062 www.serfilco.com (800) 323 - 5431

BULLETIN
F-501_R
AUG 2011



COMPACT, ECONOMICAL FILTRATION AND PURIFICATION

FOR IN-TANK OR OUT-OF-TANK INSTALLATION

Admiral Filtration Systems systems are available for a wide range of tank sizes from laboratory scale to large production requirements. Corrosion resistance is achieved by the use of variety of engineering plastics such as CPVC, PVC, PP, and PVDF with stainless steel external parts.

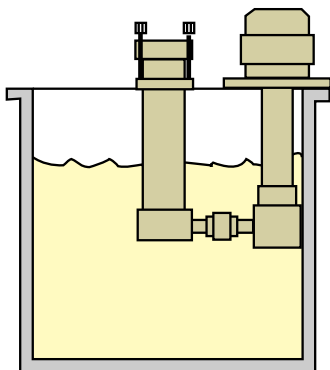
Admiral Filtration Systems consists of a separate vertical pump and filter chamber sold as a set with system pricing providing savings over individual component prices.

- **Flow rates to 7000 GPH**
(31,500 LPH @ 50Hz)
- **Non-metallic solution contact**
PVC, CPVC, Polypropylene, or PVDF systems
EPDM elastomers (Viton optional)
- **Runs dry without damage**
- **Rugged construction designed for minimum maintenance**

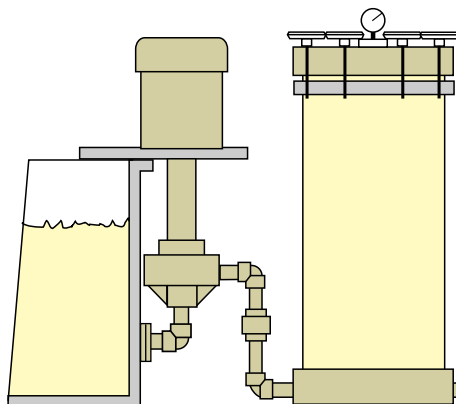
NOTE:

Hose, pipe and fittings required to connect the pump to the filter chamber and plumb to the tank must be ordered separately. Request Bulletin A-213.

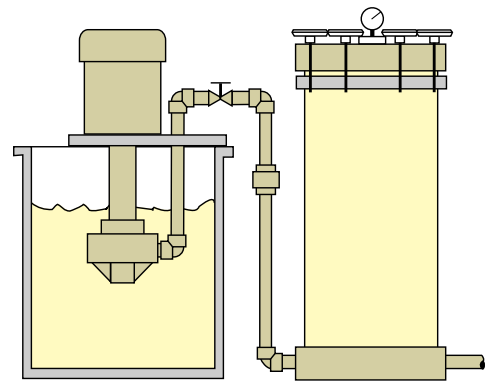
TYPICAL INSTALLATIONS



PUMP AND FILTER IN TANK



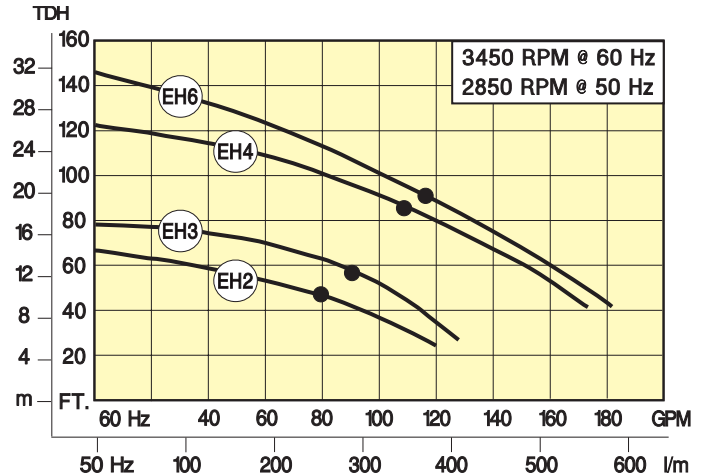
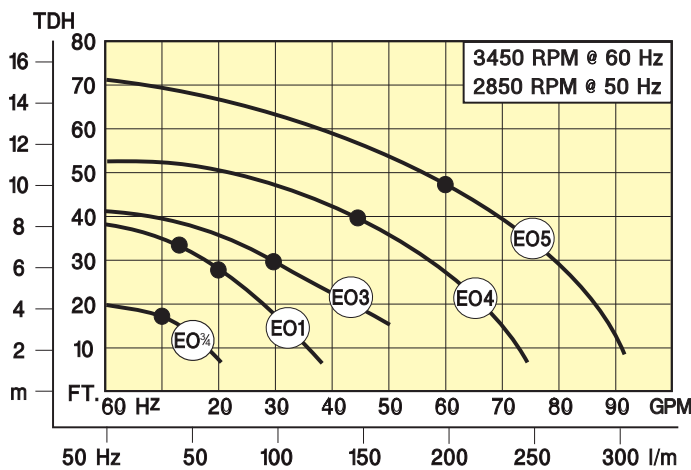
PUMP AND FILTER OUT OF TANK



PUMP IN TANK AND FILTER OUT OF TANK



PERFORMANCE



● Realistic flow points

SPECIFICATIONS
To order, use System No.

CPVC filter chamber with CPVC pump ¹

SYSTEM NUMBER	PUMP SERIES & CURVE	SYSTEM		FILTER CHAMBER		MOTOR ² HP	IN/ OUT (In. NPT)	WEIGHT Lbs.
		GPH	LPH	SERIES	CARTRIDGES			
CL1EO1/8 CL2EO1/8	EO3/4	600	1,900	L	1 - 10" 1 - 20"	1/8	1 x 3/4	25 30
CL2EO103 CL3EO103	EO1	900	2,800	L	1 - 20" 1 - 30"	0.3	1 1/4 x 1	45 50
CS3EO103 CS6EO103	EO1	1,200	3,750	S	3 - 10" 3 - 20"	0.3	1 1/4 x 1	55 65
CS6EO308 CS9EO308 CS12EO308	EO3	1,800	5,600	S	3 - 20" 3 - 30" 3 - 40"	0.75	1 1/4 x 1	70 80 90
CSH9EO410 CSH12EO410	EO4	2,700	7,500	S	3 - 30" 3 - 40"	1.0	1 1/2 x 1 1/4	85 95

¹ For PVC chamber, change first **C** to **P** in System Number.
For polypropylene system, change first **C** to **PP** in System Number.
For PVDF system consult Sales Department.

² Motors less than 1.0 HP are 115-230/1/50-60, TEFC.
Motors 1.0 HP and above are 230-460/3/60 or 190-380-415/3/50, TEFC.



SPECIFICATIONS
To order, use System No.

CPVC filter chamber with CPVC pump ¹

SYSTEM NUMBER	PUMP SERIES & CURVE	SYSTEM		FILTER CHAMBER		MOTOR ² HP	IN / OUT (In. NPT)	WEIGHT Lbs.
		GPH	LPH	SERIES	CARTRIDGES			
CG12EO515 CG24EO515	EO5	3,600	11,300	G	12 - 10" 12 - 20"	1.5	1 1/2 x 1 1/2	160 170
CG24EH220 CG36EH220	EH2	4,800	15,000	G	12 - 20" 12 - 30"	2.0	2 x 1 1/2	205 215
CG24EH330 CG36EH330 CG48EH330	EH3	5,400	16,800	G	12 - 20" 12 - 30" 12 - 40"	3.0	2 x 1 1/2	225 235 245
CG36EH450 CG48EH450 CG60EH450	EH4	6,600	19,600	G	12 - 30" 12 - 40" 12 - 20" + 12 - 30"	5.0	2 x 1 1/2	235 245 255
CG48EH675 CG60EH675	EH6	7,000	21,800	G	12 - 40" 12 - 20" + 12 - 30"	7.5	2 x 2	255 265

¹ For PVC chamber, change first **C** to **P** in System Number. ² Motors are 230-460/3/60 or 190-380-415/3/50, TEFC.
For polypropylene system, change first **C** to **PP** in System Number.
For PVDF system consult Sales Department.

ACCESSORIES

VITON ELASTOMERS	ADD TO SYSTEM NO.
Filter chamber and pump	V

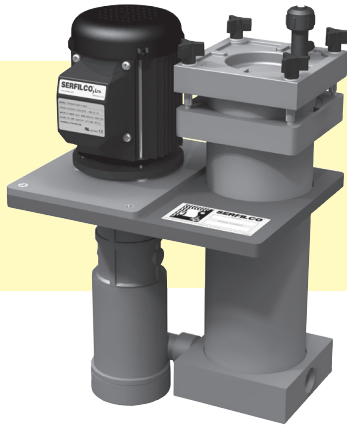
DESCRIPTION	PRICE CODE NO
MOTOR STARTER - NEMA 4X Watertight push button	
115 - 230V/1/50-60	O-MS1P
230 - 460V/3/50-60	O-MS3P
Important: Specify operating voltage.	
OPERATING VOLTAGE	
1 horsepower & above - Single phase	O-1PH
Under 1 horsepower - Three phase	O-3PH

DESCRIPTION	PRICE CODE NO.	
	CPVC	PVC
CARBON PURIFICATION CHAMBER with flow control valve, hose & drain Order carbon media from Bulletin M-305		
Includes ABS mini-canister / CPVC or clear PVC chamber for		
0.9 lbs. granular carbon 10" canister	O-C1CM	O-P1CM
2.1 lbs. granular carbon 20" canister	O-C2CM	O-P2CM
3.2 lbs. granular carbon 30" canister	O-C3CM	O-P3CM
Includes PVC canister / CPVC or PVC chamber for		
7 lbs. granular carbon 1-528 canister	O-1528C	O-1528
21 lbs. granular carbon 3-528 canister	O-3528C	O-3528



SERFILCO engineers have designed a line of unitized, drop-in Admiral filtration systems to meet your needs. These proven designs are the result of 50 years of experience in developing chemically resistant pumps and filters. Shown below are some of the models that are available. They provide a choice of capacities, materials of construction and installation possibilities.

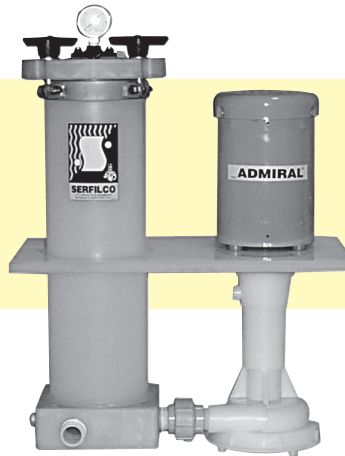
ADMIRAL 'EOL'



Pump: Series 'EO'
Chamber: Series 'L'
Flow Rates: Up to 1,000 GPH

See Bulletin F-514

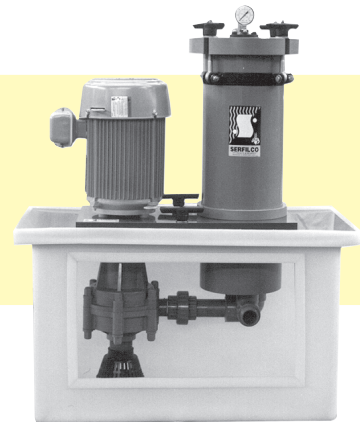
ADMIRAL 'EOS'



Pump: Series 'EO'
Chamber: Series 'S'
Flow Rates: 1,800 to 4,200 GPH

See Bulletin F-510

ADMIRAL 'EHJ'



Pump: Series 'EH'
Chamber: Series 'J'
Flow Rates: 5,800 to 10,000 GPH

See Bulletin F-508

**Everything you need to install your
Admiral Filtration System can be
found in Bulletin A-213.**

- Fittings
- Pipe
- Hose
- Clamps
- Strainers
- Valves
- Tank connections