



SERIES 'Y' FILTER CHAMBERS



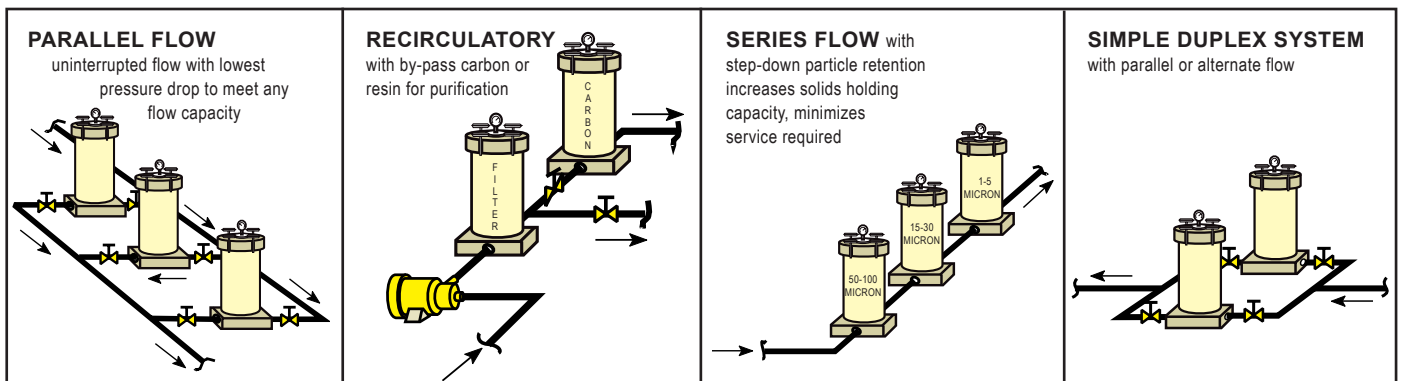
Shown w/optional
Davit cover lift

FOR FILTRATION & PURIFICATION OF PROCESS SOLUTIONS:

**CHEMICAL / ELECTROPLATING
R.O. PRE-FILTER / WATER TREATMENT
WASTE TREATMENT / COOLING TOWER**

- **Non-metallic solution**
Rubber or Hypalon lined steel construction
- **Heavy duty construction**
75 PSI ASME code design standard
150 PSI code design optional
- **Large cartridge capacity & wide range of sizes**
24-445 of 10" cartridges
to 1557 sq ft. dirt holding capacity
- **High flow rates to 2225 GPM**
- **Easy to service**
Removable cage assembly

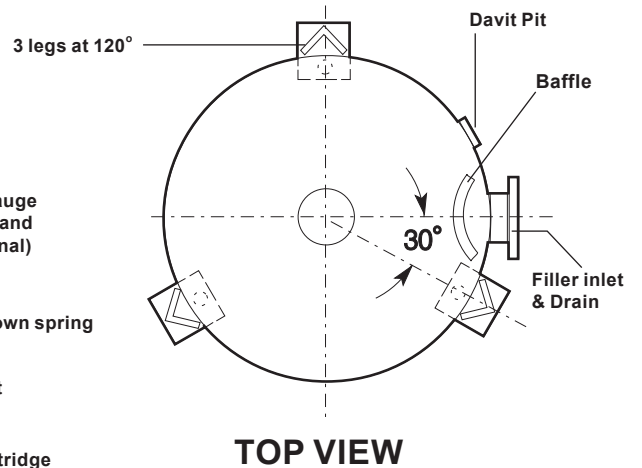
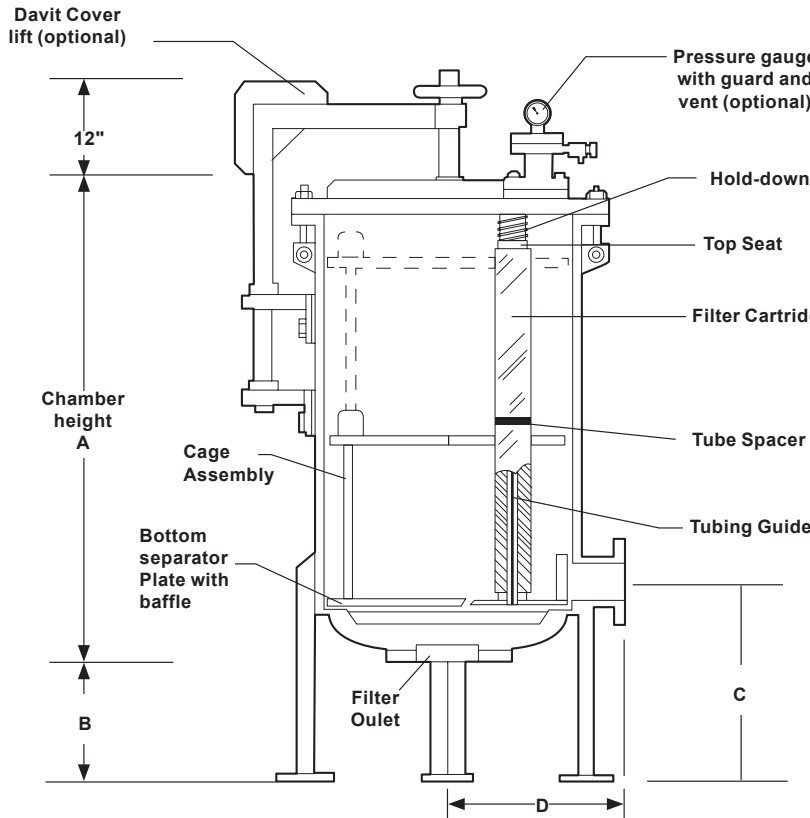
SERIES 'Y' Filter Chambers are made of carbon steel with vulcanized rubber or Hypalon® lining to provide non-metallic solution contact for use as a prefilter ahead of reverse osmosis membranes, for filtration of electroplating and other chemical solutions and for many other applications. Consult a chemical resistance chart, Bulletin TC-101, and Sales Department for chemical compatibility.





SERIES 'Y' | FILTER CHAMBERS

2900 MacArthur Blvd. Northbrook, IL. USA 60062 www.serfilco.com (800) 323 - 5431



Note: Inlet and outlet connections are available in optional sizes, locations and styles. Chamber may also be customized with optional vents, drains or gauge ports. Consult Sales Department.

MODEL	A		B		C		D*		SHIP WT	
	in	mm	in	mm	in	mm	in	mm	lbs	kg
_240-2	32	813	14	356	22	559	12	305	350	159
_360-2	42	1067							375	170
_520-2	32	813	15	381	26	660	14.5	368	360	163
_780-2	42	1067							390	177
_B540-4	45	1143	15	381	26	660	14.5	368	600	272
_870-4									650	295
_B900-4	65	1651	15	381	26	660	14.5	368	800	363
_1050-4	45	1143							850	386
_1450-4	65	1651	20	508	32.6	829	18	457	9000	408
_1750-4									1000	454
B1800-6	65	1651	20	508	32.6	829	18	457	1200	544
_3000-6									1400	635
_B3000-8					1500	680				
_4450-8					1800	816				
_B4450-8					1950	885				

* w/ rubber lining



SERIES 'Y' Filter Chambers are constructed of rubber or Hypalon® lined carbon steel, providing non-metallic solution contact. A 75 PSI ASME code design, non-stamped, is standard with 150 PSI code design optional. ASME code stamp for either pressure rating is also optional.

The chamber is provided with a removable internal cage assembly for ease of cartridge service and chamber cleanout. Standard chambers are for double open end (DOE) cartridges with 222 'O-ring' SOE cartridge seats optional. Models with "B" designation provide maximum spacing between cartridges.

The lining material serves as full cover, separator plate and flange gasket. Standard internals are PVC. External steel surfaces are painted with two part epoxy gray enamel and external fasteners are stainless steel.

SPECIFICATIONS and ORDERING INFORMATION

MODEL	CHAMBER DIA (in)	FLANGE SIZE (in)	NO. OF 10" CARTRIDGES	NO. OF COLUMNS	SOLIDS CAPACITY (sq. ft)	MODEL PREFIX	
						YR RUBBER	YH HYPALON
						PRICE CODE	PRICE CODE
_240-2	18	2	24	12	84	78-0002	78-0036-A
_360-2			36	12	126	78-0003	78-0037-A
_520-2			26	52	182	78-0004	78-0038-A
_780-2				78		273	78-0005
_B540-4	22	4	54	18	189	78-0006	78-0040-A
_870-4			87	29	305	78-0007	78-0041-A
_B900-4			90	18	315	78-0008	78-0042-A
_1050-4			105	35	368	78-0009	78-0043-A
_1450-4			145	29	508	78-0010	78-0044-A
_1750-4			175	35	613	78-0011	78-0045-A
_B1800-6	28	6	180	36	630	78-0012	78-0046-A
_3000-6			300	60	1050	78-0013	78-0047-A
_B3000-8	32	8	300	60	1050	78-0014	78-0048-A
_4450-8			445	89	1558	78-0015	78-0049-A
_B4450-8			44	8	445	89	1558

OPTIONAL

DESCRIPTION	ADD TO MODEL NO.	PRICE CODE NUMBER			
		18"	22" dia	28" dia.	32" dia.
Davit cover lift	-D	78-0066	78-0066	78-0067	78-0068
150 PSI ASME code design - non stamped	-150	78-0079	78-0080	78-0081	78-0082
ASME code stamp	-X	78-0084			
Pressure gauge/guard vent valve assembly CPVC	-G5	78-0073			
222 "O"- Ring cartridge seats for SOE cartridges	-2	add - 2			