

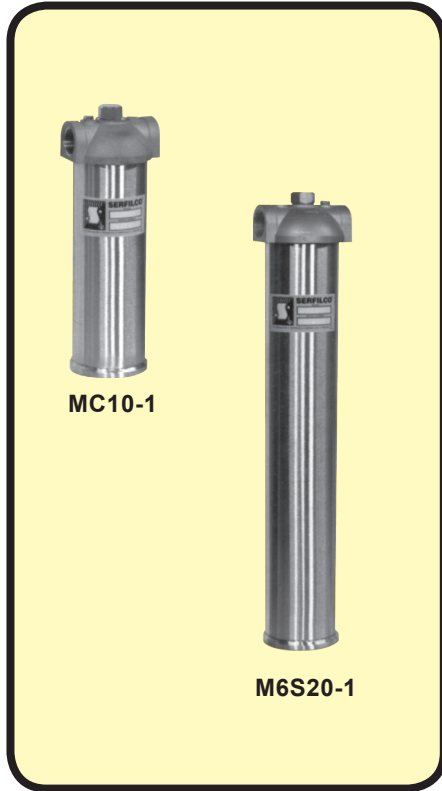


SERFILCO® SERIES 'M' FILTER CHAMBERS

2900 MacArthur Blvd. Northbrook, IL. USA 60062 www.serfilco.com (800) 323 - 5431

BULLETIN
C-201_R
MAY 2012

FOR FILTRATION AND PURIFICATION OF: WATER / PHOTOGRAPHIC / SOLVENTS / CHEMICALS PHARMACEUTICAL / OILS / WASTE TREATMENT



SINGLE CARTRIDGE CHAMBERS

STEEL - Painted two-part epoxy gray on exterior.					
MODEL	MATERIAL	MAXIMUM PRESSURE	PORT SIZE	NO. FILTER CARTRIDGES	PRICE CODE NO.
MC10-1/2	Carbon steel and cast iron, 304 stainless steel	250 PSI	1/2" NPT	1	78-1500
MC10-3/4			3/4" NPT	1	78-1501
MC10-1			1" NPT	1	78-1502
MC20-3/4			3/4" NPT	2	78-1503
MC20-1			1" NPT	2	78-1504
MC30-3/4			3/4" NPT	3	78-1505
MC30-1	Buna N shell gasket ¹		1" NPT	3	78-1506

STAINLESS STEEL					
M4S10-3/4	304 stainless steel	250 PSI	3/4" NPT	1	78-1507
M4S10-1			1" NPT	1	78-1508
M4S20-3/4			3/4" NPT	2	78-1509
M4S20-1			1" NPT	2	78-1510
M4S30-3/4			3/4" NPT	3	78-1511
M4S30-1			1" NPT	3	78-1512
M6S10-3/4	316 stainless steel	250 PSI	3/4" NPT	1	78-1513
M6S10-1			1" NPT	1	78-1514
M6S20-3/4			3/4" NPT	2	78-1515
M6S20-1			1" NPT	2	78-1516
M6S30-3/4			3/4" NPT	3	78-1517
M6S30-1			1" NPT	3	78-1518

¹ Fiber gasket at vent, drain and center nut.

Viton® elastomers: Add **-V** to Model and suffix **V** to Price Code No.



MODEL NO.	DIMENSIONS (In.)		SHIP WT. (lbs.)
	A	B	
M*10-1/2	12 ⁷ / ₈	4	6
M*10-3/4	12 ⁷ / ₈	4	6
M*10-1	13 ¹ / ₈	4 ¹ / ₄	7
M*20-3/4	23	4	8
M*20-1	23 ¹ / ₄	4 ¹ / ₄	9
M*30-3/4	33	4	11
M*30-1	33 ¹ / ₄	4 ¹ / ₄	12

* C for carbon steel, 4S for 304SS or 6S for 316SS



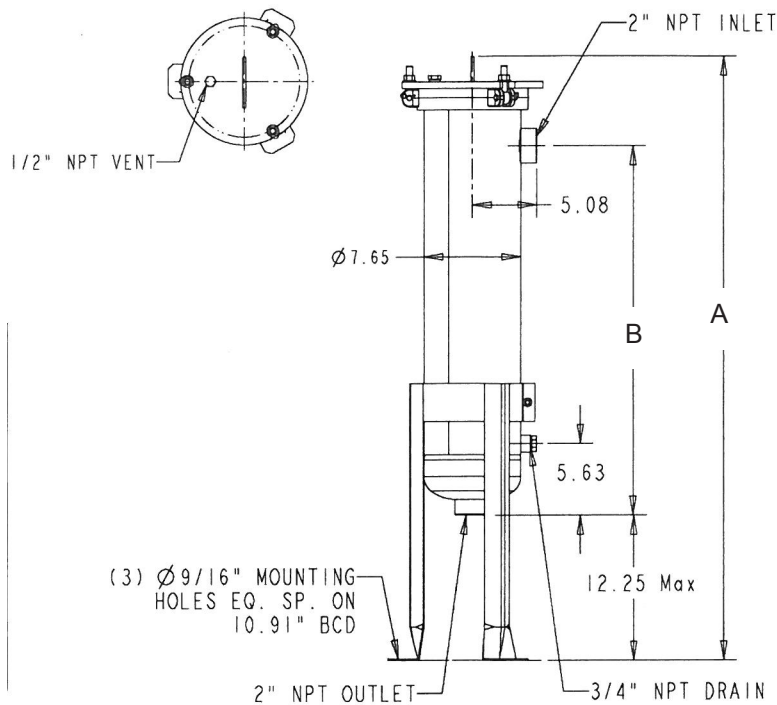
2900 MacArthur Blvd. Northbrook, IL. USA 60062 www.serfilco.com (800) 323 - 5431

MULTIPLE CARTRIDGE CHAMBERS

STEEL - Painted two-part epoxy gray on exterior.					
MODEL	MATERIAL	MAXIMUM PRESSURE	PORT SIZE	NO. FILTER CARTRIDGES	PRICE CODE NO.
S50(1)-2	Carbon steel with mounting legs Buna N gasket	100 PSI	2" MNPT	5	78-2282
S100(2)-2				10	78-2283
S150(3)-2				15	78-2284

STAINLESS STEEL					
MODEL	MATERIAL	MAXIMUM PRESSURE	PORT SIZE	NO. FILTER CARTRIDGES	PRICE CODE NO.
SS50(1)-2	304 stainless steel w/mounting legs Buna N gasket	100 PSI	2" MNPT	5	78-2285
SS100(2)-2				10	78-2286
SS150(3)-2				15	78-2287

Viton® elastomers: Add -V to Model and suffix V to Price Code Number.



MODEL NO.	DIMENSIONS (In.)		SHIP WT. (lbs.)
	A	B	
(S)S50(1)-2	38	19	57
(S)S100(2)-2	48	29	67
(S)S150(3)-2	58	39	77