



## SERIES 'PLB' FILTER CHAMBERS



**High Flow Rates**  
to 150 GPM (9000 GPH)

**Cartridge Capacity**  
Single Top Flange, Pleated Bag Style.  
20" or 40" Lengths

**2" Socket Union Connections**  
1/4" NPT vent

**Quick Release Cover for Easy Service**

**Stainless Steel**  
External Hardware

**Non-Metallic Solution Contact**  
CPVC with EPDM O-ring  
(FKM Optional)  
(Chemical resistance guide on T-102)

**Heavy Duty Construction**  
Rated 125 PSI at 70°F (8.5 BAR @ 21°C)

PLB40-2



PLB20-2

## ORDER INFORMATION

MODEL NUMBER	PRICE CODE NUMBER	CONNECTIONS (SOCKET UNION)	MATERIAL	MEDIA TYPE
PLB20-2	78-2052	2" x 2"	CPVC / EPDM / SS	20"
PLB40-2	78-2054	2" x 2"	CPVC / EPDM / SS	40"

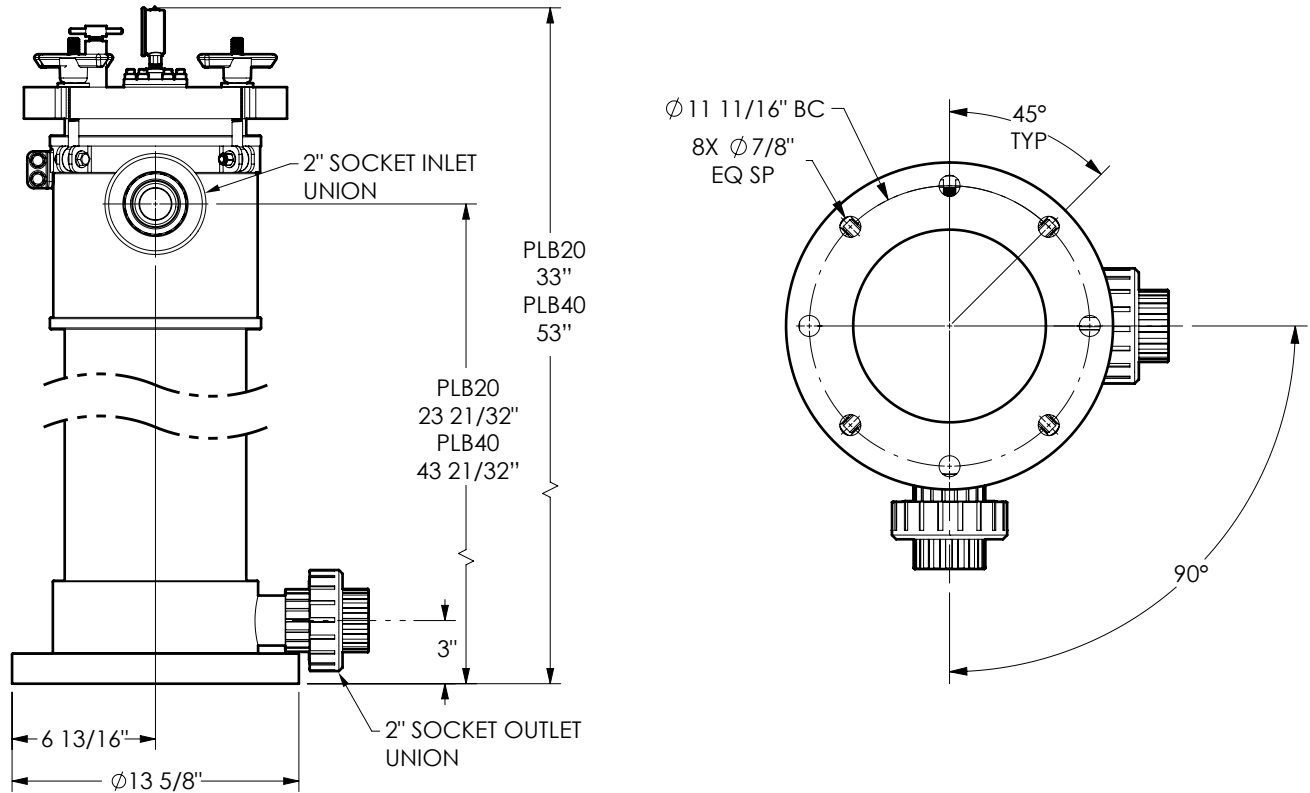
## OPTIONS

DESCRIPTION	ADD TO MODEL NO.	ADD TO OR ADDTL PCN
FKM O-Ring	V	V



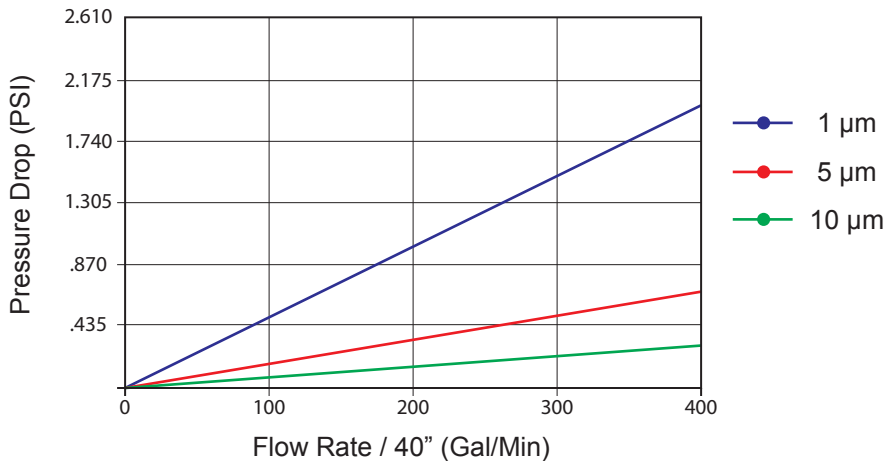
# SERIES 'PLB' FILTER CHAMBERS

## STANDARD CONFIGURATIONS



## PLEATED CARTRIDGES

Clean Pressure Drop vs Flow Rate at 70°F



MICRON RATING	20" LENGTH FILTER	40" LENGTH FILTER
1µm	SF-PL-PHFU1U20U	SF-PL-PHFU1U40U
5µm	SF-PL-PHFU5U20U	SF-PL-PHFU5U40U
10µm	SF-PL-PHFU10U20U	SF-PL-PHFU10U40U
20µm	SF-PL-PHFU20U20U	SF-PL-PHFU20U40U

For FKM Elastomers, add '-V' to PCN