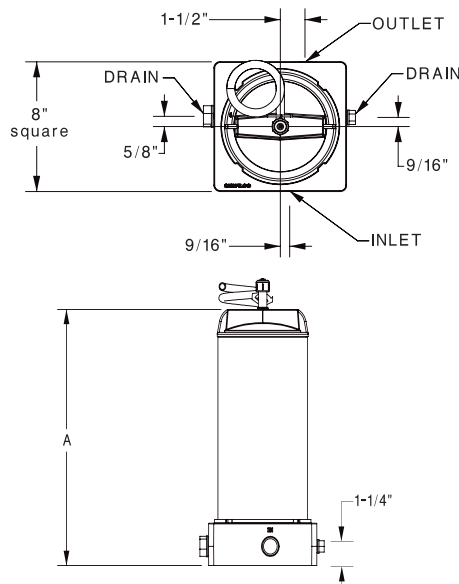
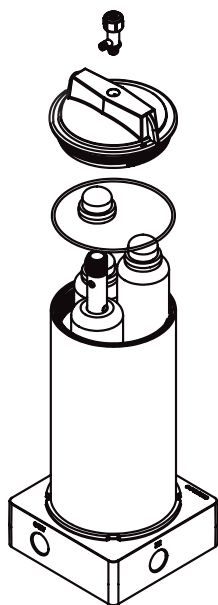


SERIES 'ST' CHAMBERS Specifications and ordering information

DESCRIPTION		MODEL NUMBER	PRICE CODE NO.
PL	CPVC base and cover, PVC shell sealed to base. EPDM "O"-ring at cover and polypropylene vent valve. CPVC internals. CPVC cartridge guides, caps and drain plugs. For DOE cartridges.	PL30(1)P-1	78-1308
		PL60(2)P-1	78-1309
		PL90(3)P-1	78-1310
		PL120(4)P-1	78-1311
CL	CPVC base and cover, CPVC shell sealed to base. EPDM "O"-ring at cover and polypropylene vent valve. CPVC internals. CPVC cartridge guides, caps and drain plugs. For DOE cartridges.	CL30(1)P-1	78-1300
		CL60(2)P-1	78-1301
		CL90(3)P-1	78-1302
		CL120(4)P-1	78-1303



FLOW RATE vs. PRESSURE DIFFERENTIAL (with 15 micron depth wound cartridges)		
1" FNPT CONNECTIONS @ 15 PSI	30 GPM	@ 5 PSI
	114 LPM	220 LPM
	58 GPM	

MAXIMUM OPERATING TEMPERATURE
CPVC 180°F PVC 140°F
MAXIMUM OPERATING PRESSURE
40 PSI

DIMENSIONS

SIZE	CHAMBER		CARTRIDGES - Max. dia. 2-5/8"				SLEEVE SET (CPVC & POLYPROPYLENE)				
	HEIGHT (A) in.	SHIPPING WT. lbs.	SIZE & NUMBER		SOLIDS AREA sq. ft.	LENGTH in.	SOLIDS AREA sq. ft.	PRICE CODE NO.			
mm	kg	10"	20"	30"					40"		
30(1)	16-5/8	422	13	6	3	-	-	10.5	10	1.8	78-0194
60(2)	26-5/8	676	25	11	6	3	-	21.0	20	3.6	78-0195
90(3)	36-5/8	930	38	17	9	-	3	31.5	30	5.4	78-0196
120(4)	46-5/8	1184	50	23	12	6	-	42.0	40	7.2	78-0416

OPTIONAL

TO ORDER	DESCRIPTION	ADD to MODEL NO.	ADD to PRICE CODE NO.
Viton® elastomers	Viton gaskets	Change L to V	-V
Mounting bracket (Adjustable)	9" x 8" x 1" (229 x 203 x 25mm)	Use prefix S	88-0556-1
Chamber with center port for single 5" long pleated cartridge		Consult Sales Department	

Viton is a registered trademark of DuPont Dow Elastomers

F.O.B. Northbrook, Illinois

Specifications subject to change without notice.



SERFILCO

2900 MacArthur Blvd
Northbrook, IL 60062-5360 U.S.A.
Email: sales@serfilco.com
www.serfilco.com

847-509-2900
800-323-5431

FAX: 847-559-1995

DISTRIBUTED BY