



SERIES 'GH-HP' PLASTIC FILTER CHAMBERS



**WATER TREATMENT / FOOD PROCESSING
CLEANING / PHOTOGRAPHIC
ELECTROPLATING / PHARMACEUTICAL
CHEMICAL / PETROCHEMICAL / BEVERAGE**

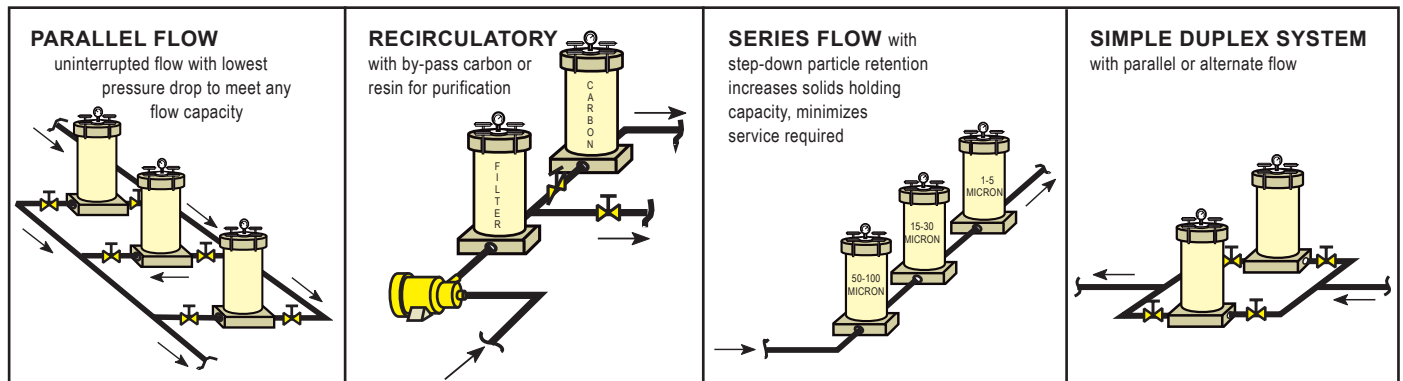
These filter chambers are designed for filtering process solutions where clarification will extend operating life and improve quality.

FEATURES:

- **Non-metallic solution contact**
CPVC, PVC, polypropylene or pure PVDF construction
(See Chemical Resistance Chart)
- **Heavy duty construction**
 - High Pressure to 140 PSI (965 K Pa)
(See Pressure/temperature table)
 - SS tie rod cover closure with tee handles
 - Pressure gauge with gauge guard and vent valve or plug
 - Cartridge guides with screw-on caps for positive cartridge seal
- **Variety of sizes are available**
From 4 to 55 - 10" cartridge capacity
(or equivalent 20", 30", or 40" lengths)
- **Port sizes 1½", 2" & 3" NPT or flange depending on model**

The Series 'GH-HP' Filter Chambers feature heavy duty construction to meet difficult high pressure and/or temperature applications. They utilize machined bases and covers with tie rod cover closures for extra strength.

Series 'GH-HP' chambers are offered in a wide variety of sizes with flows to 275 GPM. Materials of construction offerings include PVC, CPVC, polypropylene, and PVDF.



SERIES 'GH-HP' CHAMBERS Specifications and Ordering information

Tie rod closure with tee handles, stainless steel shell hold-down bracket, top reinforcing plate, 0-60 PSI pressure gauge and guard, EPDM gaskets, drain plugs. All fasteners are stainless steel. For DOE cartridges.			MODEL NUMBER	PRICE CODE NUMBER	CARTRIDGE		SHIPPING WEIGHT lbs.
					NUMBER of 10" CARTS.	SOLIDS AREA sq. ft.	
PL	PVC base, cover and shell, CPVC vent valve and internals.	CONNS. 1½" NPT	PL50 1½-G3A-HP	78-0520	5	17.5	45
			PL100 1½-G3A-HP	78-0521	10	35.0	55
			PL150 1½-G3A-HP	78-0522	15	52.5	65
			PL200 1½-G3A-HP	78-0523	20	70.0	75
		2" NPT	PL220 2-G3A-HP	78-0321	22	77.0	94
			PL330 2-G3A-HP	78-0322	33	115.5	101
			PL440 2-G3A-HP	78-0323	44	154.0	109
			PL550 2-G3A-HP	78-0324	55	192.5	116
		3" NPT	PL330 3-G3A-HP	78-1328	33	115.5	101
			PL440 3-G3A-HP	78-1329	44	154.0	109
			PL550 3-G3A-HP	78-1330	55	192.5	116
PPL	Polypropylene base, cover, and shell. Polypropylene vent valve and internals	2" Flange	PPL70 2F-G3-HP	78-1377	7	24.5	30
			PPL140 2F-G3-HP	78-1378	14	49.0	60
			PPL210 2F-G3-HP	78-1379	21	73.5	90
			PPL280 2F-G3-HP	78-1380	28	98.0	120
CL	CPVC base, cover and shell with CPVC vent valve and internals.	1½" NPT	CL50 1½-G3A-HP	78-1146A	5	17.5	45
			CL100 1½-G3A-HP	78-1147A	10	35.0	55
			CL150 1½-G3A-HP	78-1148A	15	52.5	65
			CL200 1½-G3A-HP	78-1149A	20	70.0	75
		2" NPT	CL220 2-G3A-HP	78-0111	22	77.0	94
			CL330 2-G3A-HP	78-0112	33	115.5	101
			CL440 2-G3A-HP	78-0113	44	154.0	109
			CL550 2-G3A-HP	78-0114	55	192.5	116
		3" NPT	CL330 3-G3A-HP	78-1331	33	115.5	101
			CL440 3-G3A-HP	78-1332	44	154.0	109
			CL550 3-G3A-HP	78-1333	55	192.5	116
KL	PVDF cover and base, PVDF shell sealed to base. PVDF vent plug, and internals.	1½" Flange	KL40(1) 1½F-G3-HP	78-0479	4	14.0	45
			KL80(2) 1½F-G3-HP	78-0480	8	28.0	55
			KL120(3) 1½F-G3-HP	78-0481	12	42.0	65
			KL160(4) 1½F-G3-HP	78-0482	16	56.0	75
		2" Flange	KL70 2F-G3-HP	78-0454	7	24.5	55
			KL140 2F-G3-HP	78-0455	14	49.0	115
			KL210 2F-G3-HP	78-0456	21	73.5	175
			KL280 2F-G3-HP	78-0457	28	98.0	230

PRESSURE/TEMPERATURE

MAXIMUM PSI PRESSURE AT OPERATING TEMPERATURE							
TEMP. °F	PL		PPL	CL		KL	
	1½"	2" & 3"	2"	1½"	2" & 3"	1½"	2"
70	140	110	100	140	110	135	120
100	95	75	64	120	100	110	95
120	60	50	52	100	80	90	80
140	35	25	40	75	60	80	70
170	-	-	31	50	30	60	55
200	-	-	-	30	25	50	45

FLOW RATE vs. PRESS. DIFFERENTIAL ¹		
MODEL	@ 5 PSI	@ 15 PSI
1½" 'GH-HP'	70 GPM	125 GPM
	265 LPM	473 LPM
2" 'GH-HP'	115 GPM	145 GPM
	435 LPM	549 LPM
3" 'GH-HP'	170 GPM	275 GPM
	643 LPM	1040 LPM

¹ With 15 micron depth wound cartridges.

OPTIONAL

TO ORDER ADD TO	MODEL NO.	
	PRICE CODE NO.	
Flange connections: CPVC	1½"	78-0458
	2"	78-0459
	3"	78-1344
Viton elastomers	change L to V	- V

TO ORDER	ADD TO	
	MODEL NO.	PRICE CODE NO.
222 "O"-ring seat for SOE (Single open end flat top) cartridge.	- 2	- 2

SERIES 'GH-HP' CHAMBERS Dimensions

DIMENSIONS

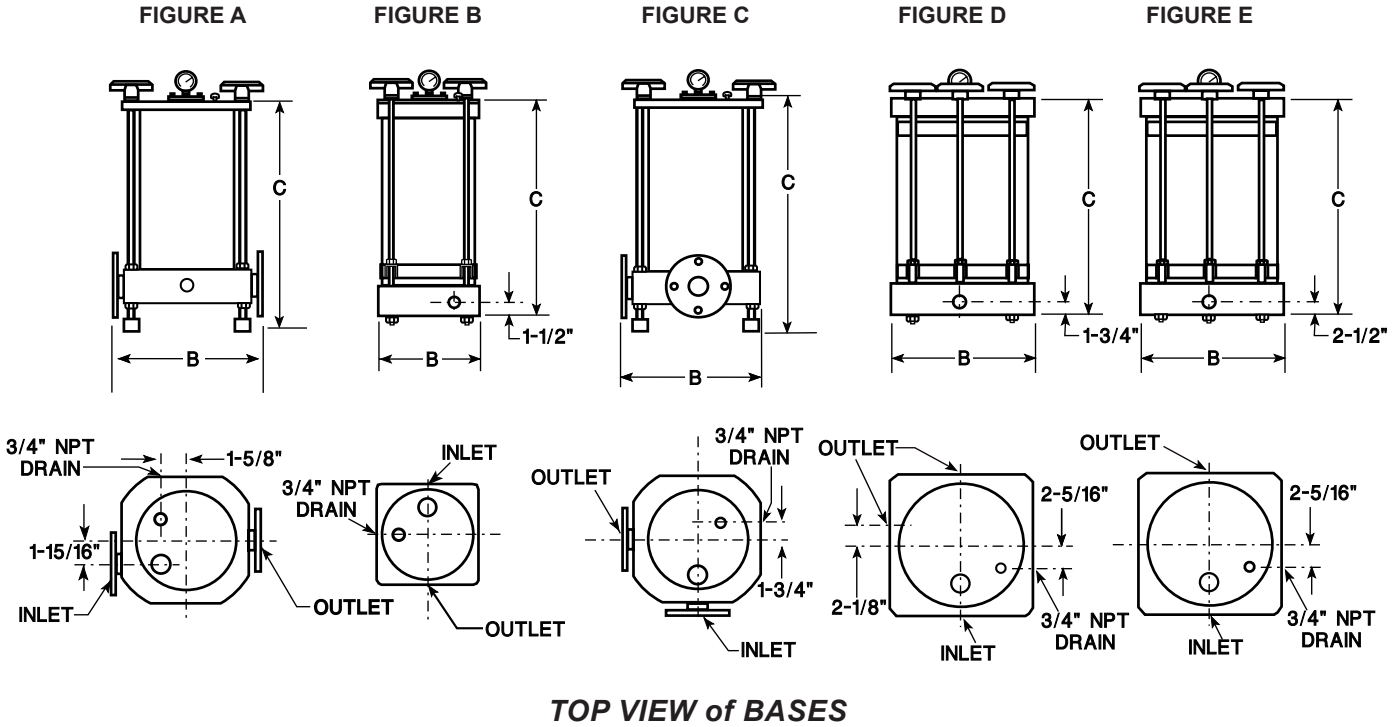


FIGURE	CHAMBER MODEL	PORT SIZE	B WIDTH in.	C HEIGHT in.	CARTRIDGES*				CLEANABLE SLEEVES	
					10"	20"	30"	40"	NO.	LENGTH in.
A	KL40 1½F	1½" FLANGE	13½ INCLUDES FLANGES	21	4	-	-	-	4	10
	KL80 1½F			8	or 4	-	-	20		
	KL120 1½F			12	-	or 4	-	30		
	KL160 1½F			16	or 8	-	or 4	40		
B	CL, PL50 1½	1½" NPT	10 SQUARE	20½	5	-	-	5	10	
	CL, PL100 1½			10	or 5	-	-		20	
	CL, PL150 1½			15	-	or 5	-		30	
	CL, PL200 1½			20	or 10	-	or 5		40	
C	PPL, KL70 2F	2" FLANGE	14½ INCLUDES FLANGES	24	7	-	-	7	10	
	PPL, KL140 2F			14	or 7	-	-		20	
	PPL, KL210 2F			21	-	or 7	-		30	
	PPL, KL280 2F			28	or 14	-	or 7		40	
D	CL, PL 2	2" NPT	15½ SQUARE	31	22	or 11	-	11	20	
	CL, PL 2			33	-	or 11	-		30	
	CL, PL 2			44	or 22	-	or 11		40	
	CL, PL 2			55	or 11	+ 11	-		50	
E	CL, PL 3	3" NPT	15½ SQUARE	42½	33	-	11	11	30	
	CL, PL 3			44	or 22	-	or 11		40	
	CL, PL 3			55	or 11	+ 11	-		50	

* Maximum cartridge diameter: All PPL and PL & CL 50, 100, 150 & 200 - 2-5/8 inches. All others - 2-3/4 inches.