



SERIES 'HF' | FILTER CHAMBERS

HIGH FLOW FILTER CHAMBERS FOR:

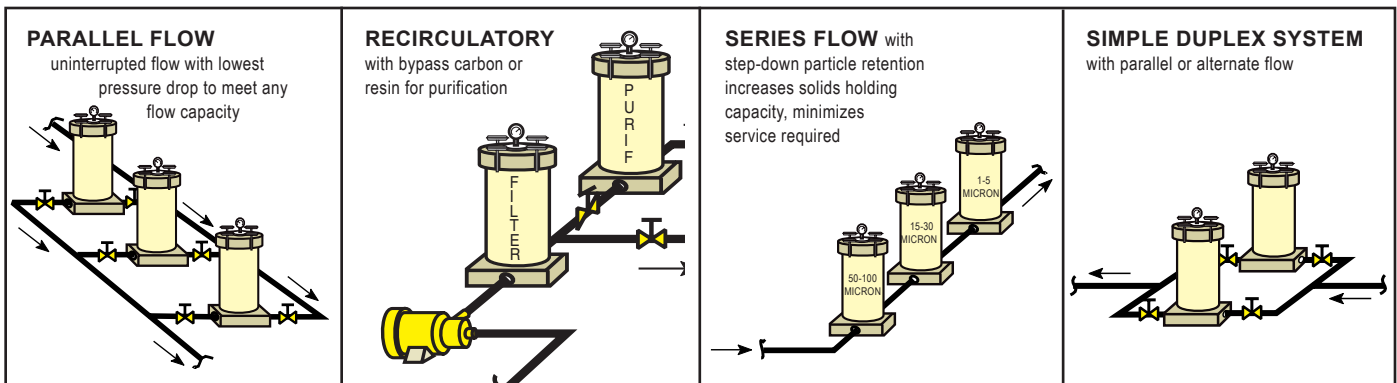
**CHEMICAL, ELECTROPLATING,
WASTE TREATMENT, WATER TREATMENT,
COOLING TOWER, AQUACULTURE**

FEATURES:

- Rugged construction, non-metallic solution contact
PVC or CPVC construction
EPDM elastomer standard, Viton® optional
- Flows to 400 GPM
- High capacity — 26 - 20", 30", 40" or 50" filter cartridges
- Standard 0-60 psi gauge with guard, air vent valve and drain port
- Low pressure drop — 4 psi @ 200 GPM
- 'T'-handle cover closure — no tools required to change cartridges

BENEFITS:

- Long service life — will not rust or corrode
- Continuous high flow particle removal improves your process and finished goods
- Long intervals between cartridge changes reduces maintenance cost.
- Easy to operate and install.
- Efficient to operate — low pressure differential





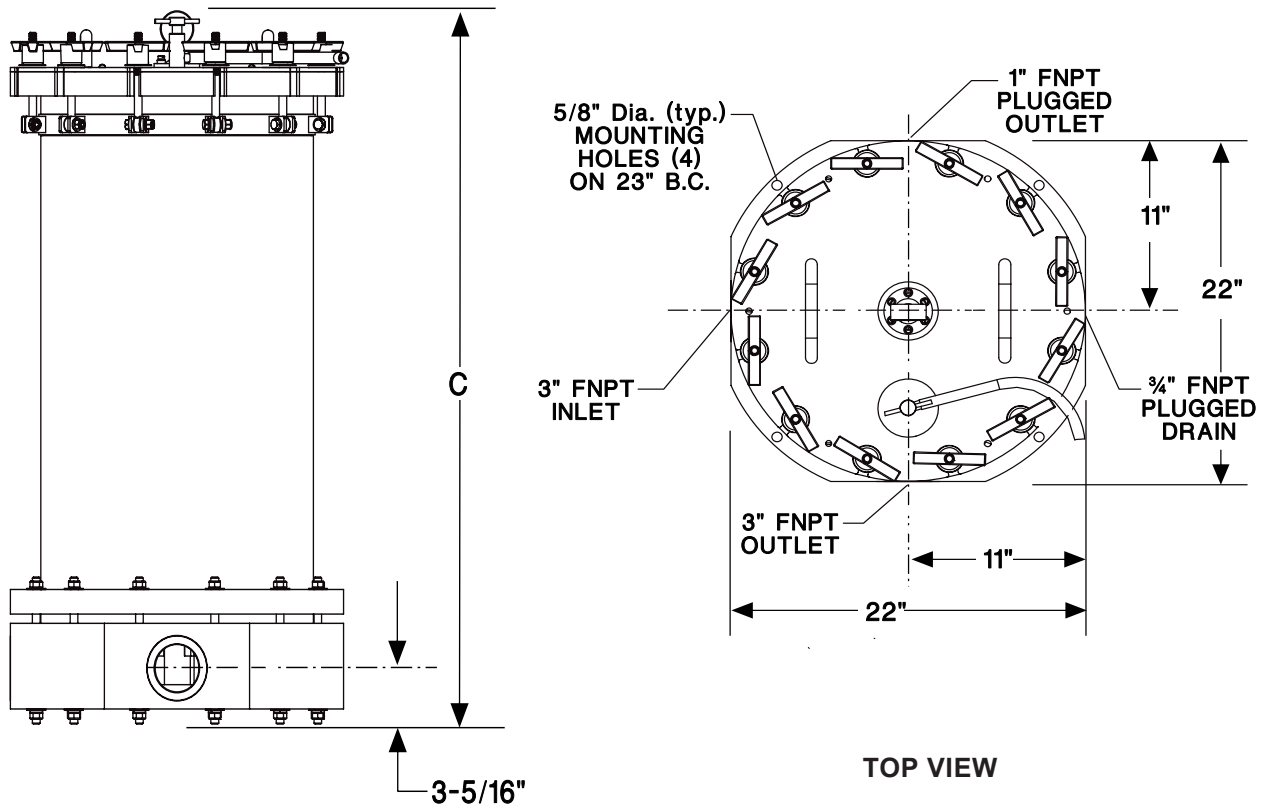
SERIES 'HF' FILTER CHAMBERS

2900 MacArthur Blvd. Northbrook, IL. USA 60062 www.serfilco.com (800) 323 - 5431

SERIES 'HF' chambers feature precision CNC machined base and cover. The innovative base design has 3" inlet and outlet ports providing low pressure differential. Base includes a 1" plugged drain port for ease of maintenance. Cover includes vent valve, 0-60 psi pressure gauge with guard assembly, and stainless steel cover plate. Cover is secured with swing bolts and 'T'-handles (no tools are

required to change cartridges). Shell is 18" diameter and will hold 26 - 20", 30", 40" or 50"* D.O.E. (double open end) style cartridges. CPVC cross posts with screw-on caps provide a positive cartridge seal ensuring no solution by-pass. Base, shell and cover are PVC or CPVC for totally non-metallic solution contact. Elastomers are EPDM and all external hardware is stainless steel.

DIMENSIONS



TOP VIEW

TO ORDER, use Price Code Number				
MODEL NUMBER ¹	NO. CARTS.	SHIP. WT. (lbs.)	DIMENSION 'C'	PRICE CODE NUMBER
PL520(2)SH-3-G3A	26 - 20"	215	38" (965 mm)	78-1662
PL780(3)SH-3-G3A	26 - 30"	235	48" (1219 mm)	78-1663
PL1040(4)SH-3-G3A	26 - 40"	255	58" (1473 mm)	78-1664
PL1300(5)SH-3-G3A	26 - 50" ²	275	68" (1595 mm)	78-1665

MAXIMUM TEMPERATURE	MAXIMUM PSI
140°F PVC 180°F CPVC	50 Δ PSI
FLOW RATE vs. Δ PSI	
200 GPM = 4 Δ PSI 310 GPM = 10 Δ PSI	

¹ Listed model is PVC. For CPVC change **P** to **C** in model number and add **C** to price code number. For Viton® elastomers change **L** to **V** in model number and add **-V** to price code number

² 50" lengths are achieved by pairing a 20" cartridge with a 30" cartridge or a 10" cartridge with a 40" cartridge.