

SERIES 'S-640' PLASTIC FILTER CHAMBER

CHEMICAL / CIRCUIT BOARD / D.I. WATER
EDM / PHOTOGRAPHIC / PLATING



FEATURES

- **Non-metallic solution contact**
CPVC / Viton® construction
(See a chemical resistance chart)
- **Handles 85 PSI @ 100°F**
- **For use with 436 pleated or 418 wound DOE (double open end) cartridges (Order separately)**
- **Inlet - outlet orientation 90° or 180°**
- **Standard 0-60 PSI pressure gauge with guard**
- **Quick, easy cartridge change**

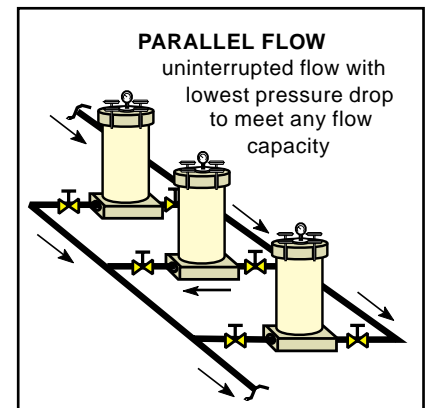
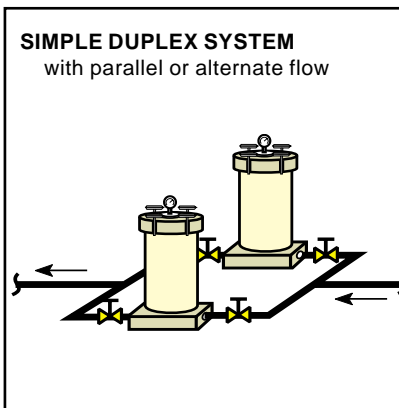
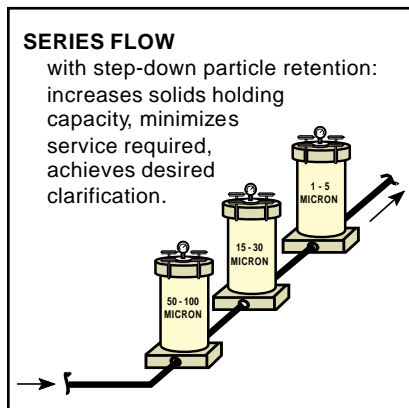
BENEFITS

- **Reduce chemical consumption by maintaining solution quality.**
- **Easy to install standard 1" FNPT connections and available tank mounting bracket.**
- **Improve process quality, eliminate scrap and rework.**
- **No tools required — swing bolt cover closure with 'T' handles**
- **Proven durable design minimizes downtime and maintenance.**
- **SERFILCO — worldwide leader in service, dependability and design for over 40 years.**

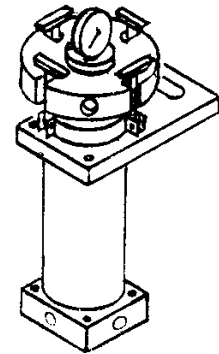
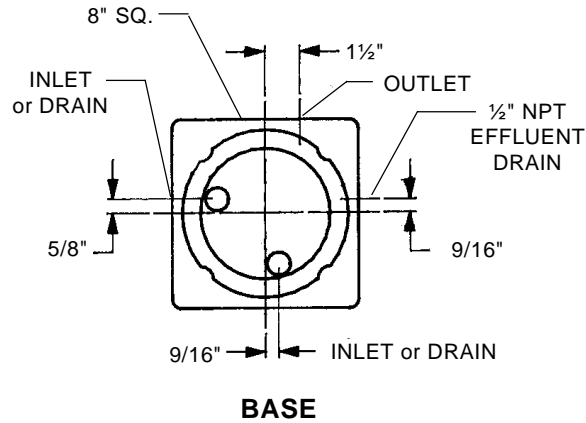
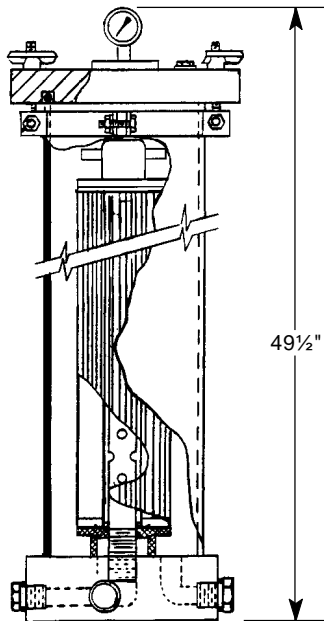
SPECIFICATIONS

The Series 'S-640' filter chamber consists of a precision molded CPVC base and cover. The CPVC shell, 6" dia. x 40" long, is cemented to the base. The cover is attached with stainless steel swing bolt brackets and 4 stainless steel swing bolts with 'T' handles. The chamber is designed to hold 1 - 4" dia. x 36" long pleated or 2 - 4" dia. x 18" long wound cartridges. The cartridges are held

securely in place by a dispersion tube with a twist cap assembly. This arrangement eliminates by-pass. Cartridge changing requires no tools and takes only minutes. The chamber also includes a 0-60 PSI gauge with Viton guard, vent plug and dual inlet ports for a choice of piping orientation. All internals are CPVC / Viton or EPDM. External hardware is stainless steel.



SERIES 'S-640' FILTER CHAMBER Specifications (cont'd)



Optional:
 Adjustable tank mounting bracket

PART NO.
88-0556-1

ORDERING NUMBER	MODEL NUMBER	MATERIALS OF CONST.	CONNS.	SHIPPING WEIGHT	MEDIA	Δ P @ FLOW
78-0320 V	CV640S-1-G3	CPVC / Viton	1" FNPT	45 lbs.	1 - 4" dia. x 36" or 2 - 4" dia. x 18"	5 PSI @ 30 GPM 15 PSI @ 68 GPM
78-0320	CL640S-1-G3	CPVC / EPDM	1" FNPT	45 lbs.	1 - 4" dia. x 36" or 2 - 4" dia. x 18"	5 PSI @ 30 GPM 15 PSI @ 68 GPM

MAX. OPERATING TEMP. @ PSI	
TEMP.	MAX. PSI
100° F	85
120° F	65
140° F	50
170° F	30
200° F	20

FILTER MEDIA: Order separately

POLYPROPYLENE MEDIA and CORE

MODEL	MICRON RETENTION RATING
4" dia. x 18" long	
1U18A4	1
3U18A4	3
5U18A4	5
10U18A4	10
20U18A4	20
30U18A4	30

UNBLEACHED COTTON MEDIA and PP CORE

MODEL	MICRON RETENTION RATING
4" dia. x 18" long	
1B18A4	1
3B18A4	3
5B18A4	5
10B18A4	10
20B18A4	20
30B18A4	30

PLEATED PAPER MEDIA and PP CORE

4" dia. x 36" long	MICRON
PL436-2-4	2

PL436 has exposed pleats and plastisol end caps.

Specifications subject to change without notice.