



SERIES 'FRP' | FILTER CHAMBERS

HIGH FLOW RATES AND HIGH OPERATING PRESSURES FOR:



FRP320S

WATER / DEIONIZED WATER
SEA WATER / BRACKISH WATER
INDUSTRIAL LIQUIDS / CHEMICALS
OEM-REVERSE OSMOSIS / ULTRA-FINE PREFILTER

- **Non-metallic solution contact**
Epoxy resin and CPVC
(See a chemical resistance chart)
- **Heavy duty construction**
Filament-wound fiberglass and epoxy vessel with integral domed bottom
- **Rated to 125 PSI from 32°F to 200°F**
(862 kPa from 0°C to 93°C)
- **Chamber capacity**
8-40" or 32-10" cartridges
- **High flow rates to 320 U. S. GPM**
(1211 LPM) at low PSI differential
- **2" or 3" FNPT connections standard**
Optional ANSI 150 PSI flanges
- **Quick cartridge change**
Easy cartridge change, no tools required

For use with a variety of filter media¹:

- Depth wound, pleated, carbon and membrane cartridges
- Positive cartridge seal for -
DOE . . . Double Open End
SOE . . . Single Open End with 120 "O"-ring

Series 'FRP' Filter Chambers provide economical particulate removal and extend the useful life of solutions through clarification. They are constructed of thermoset plastic resin reinforced with continuous filament wound fiberglass to offer the strongest FRP composite obtainable. No pigments or fillers are used, making these chambers suitable for a wide range of liquids. Standard models have EPDM "O"-rings (Viton® optional) and CPVC internals for non-metallic solution contact.

All 'FRP' models include CPVC tube guides which accept full 40" length cartridges. They also accept

carbon cartridges. An optional CPVC cross post set can be ordered for stacking 10" or 20" DOE cartridges.

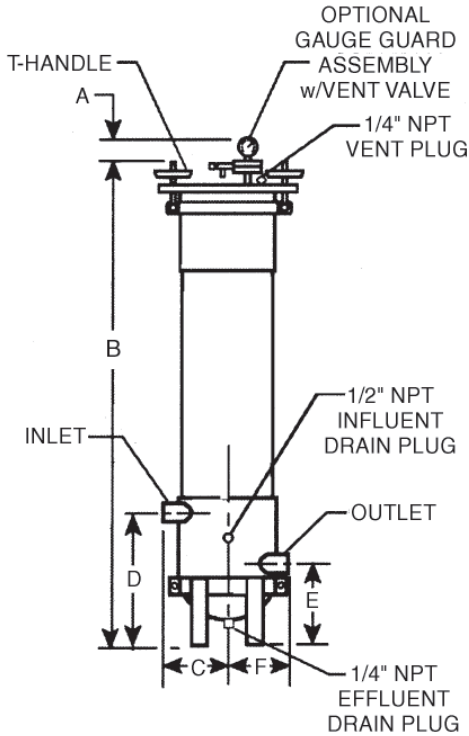
'FRP' chambers use vinyl coated 316 stainless steel springs and CPVC cartridge seats to provide positive seating. Stainless steel swing bolts and polyester T-handles facilitate quick opening of cover closure. Chambers include 304 stainless steel mounting legs. Models have FNPT inlet and outlet connections. Optional flange connections available.

¹ Cartridges must be ordered separately. Refer to Filter Media.



SERIES 'FRP' | FILTER CHAMBERS

2900 MacArthur Blvd. Northbrook, IL. USA 60062 www.serfilco.com (800) 323 - 5431



DIMENSIONS - Inches (mm)							
MODEL	A	B	C	D	E	F	PORT
							SIZE FNPT
FRP320S	3 (76)	57-1/2 (1460)	7-1/4 (184)	15-1/8 (384)	9-1/8 (232)	7-3/4 (197)	3" IN & OUT

TO ORDER, use Price Code Number

DIMENSIONS - Inches (mm)							
MODEL	FNPT CONNS.	NUMBER OF CARTRIDGES (Ordered separately)	FLOW RATE* @PRESS. DIFF U.S. GPM		MAXIMUM FLOW RATE	SHIP. WT.	PRICE CODE NUMBER
			2 PSI	5 PSI	U.S. GPM	lbs.	
FRP320S-3	3"	8-40" or 32-10"	180	300	320	68	78-1343

* Using clean 10 micron Maxi-Depth wound filter cartridges.

OPTIONAL, use Price Code Number

DESCRIPTION	ADD TO MODEL NO.	ADD TO OR USE SEPARATE PRICE CODE NO.
Pressure gauge, 0-160 PSI, on polypropylene gauge guard with diaphragm and CPVC vent valve	-G4A	99-0740
Pressure gauge with Viton diaphragm	-G4AV	99-0740V
Viton "O"-ring	-V	-V
Flange connections, 150 PSI ANSI	-F	78-0459
2" CPVC for 180°F (82°C) maximum temperature		78-1122
2" PVC for 140°F (60°C) maximum temperature		78-1344
3" CPVC for 180°F (82°C) maximum temperature		78-1234
3" PVC for 140°F (60°C) maximum temperature		
Cross post set (to stack 10" or 20" cartridges, in place of standard tube guides,	—	77-9917
Modification to accept 120 "O"-ring (internal) SOE cartridges	-120	77-9934