

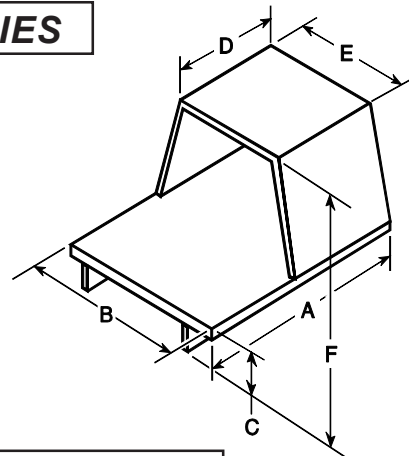


# SERFILCO® BASES and BASE & HOOD ASSEMBLIES

BULLETIN  
A-111  
AUG. 1994

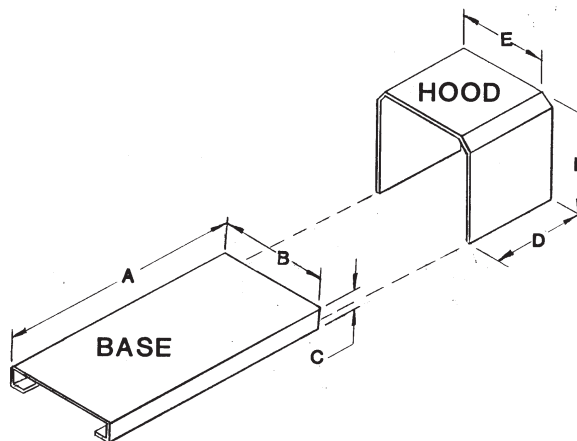
## PVC BASE & HOOD ASSEMBLIES

PART NUMBER	DIMENSIONS (Inches)						USED ON
	A	B	C	D	E	F	
77-0490	10	8-1/8	1-1/8	6-1/2	6-1/2	7-3/8	LABMASTER
77-1507	27	18-1/2	1-3/4	14-1/4	14-3/4	16-1/4	SUPER SPACE SAVER
77-9944	16-1/2	13-1/8	1-1/4	10	10-1/2	11	S-S & SUPER S-S
77-9950	11-3/4	10-1/4	1-1/8	8-3/4	8-1/8	8-1/2	MINI SPACE SAVER
77-9996	11-3/4	11-1/8	1-1/8	8-3/4	9-1/4	8-1/2	SPACE SAVER



## VINYL COATED STEEL BASES and/or HOODS

PART NUMBER	DIMENSIONS (Inches)					
	A	B	C	D	E	F
77-0101	6	8	1-3/8	—	—	—
77-0102	13-3/8	9-3/8	1-1/4	9	8-1/8	9-5/8
77-0102A	10	7-3/8	1-1/4	5-7/8	6	8
77-0103-1	13-3/8	9-3/8	1-1/4	—	—	—
77-0103-2	—	—	—	10-1/2	6	10-3/4
77-0113	19	9-3/8	1-1/4	—	—	—
77-0337	24	9-3/8	1-1/4	—	—	—
77-0338	—	—	—	8	8-1/8	11-1/4
77-0360	30	9-3/8	1-1/4	—	—	—
77-0498	33	18	1-1/2	—	—	—
77-0726	50	18	1-1/2	—	—	—
77-0727	16	18	1-1/2	—	—	—
77-0740	30	13	1-1/2	—	—	—
77-0741	42	13	1-1/2	—	—	—
99-0129	13-1/4	6	1/2	—	—	—



## BLACK FRP BASES

PART NUMBER	DIMENSIONS (Inches)			
	A	B	C	THICKNESS
77-1401	50	18	2	5/16
77-1402	66	18	2	5/16

## POLYESTER CHANNEL

PART NUMBER	DIMENSIONS (Inches)			
	A	B	C	THICKNESS
77-0896	11-3/4	10	2-3/4	1/2
77-0897	23-1/2	10	2-3/4	1/2
77-0880	18	8	2-3/4	3/8

F.O.B. Northbrook, Illinois

DISTRIBUTED BY



# SERFILCO, LTD.

1777 Shermer Road 708-559-1777  
Northbrook, IL 60062-5360 U.S.A. 800-323-5431  
FAX: 708-559-1995