

- UL Class 10 overload relay trip time
- Corrosion resistant PVC enclosures
- Ambient temperature compensated -20° to +60°C
- Adjustable thermal overload protection with reset
- Full approvals IEC BS -IEC type
- Coil voltage +10% to -30% of rated voltage
- 1,000,000 cycles electrical life
- 10,000,000 cycles mechanical life
- Differential single phasing protection
- Magnetic three pole starter with reset button

ST4 MAGNETIC PUSH-BUTTON -

IP 54 watertight enclosure (NEMA 4X)

For STOP-START control of single or three phase motors. Full voltage control.

SPB4 MANUAL MAGNETIC PUSH-BUTTON -

IP 54 watertight enclosure (NEMA 4X)

For STOP-START control of single or three phase motors, or pilot duty with all DRI-STOP switches. Will not allow automatic restart. Includes fused industrial control transformer (230/460 to 24 VAC) for low voltage control circuit.*

SA4 MANUAL MAGNETIC SELECTOR SWITCH -

IP 557 watertight enclosure (NEMA 4X)

For manual HAND-OFF-AUTO control of single or three phase motors used for sump pumps equipped with float switch or DRI-STOP switch on water flushed, mechanical seal or bearings. Includes fused industrial control transformer (230/460 to 24 VAC) for control circuit.*

* NOTE: 115 volt starters have 115 volt energizing coil, no control transformer.

TO ORDER, use Price Code No.
Specify operating voltage, motor HP and current (amps).

VOLTAGE	MAXIMUM HP	PHASE / CYCLE	PRICE CODE NUMBER		
			ST4	SPB4	SA4
115	.5	1/60	66-2161A	66-1197C	66-1197A
230	1.5	1/50-60	66-2161B	66-1197DB	66-1197BB
115	1	1/60	66-2162A	66-1198C	66-1198A
230	2	1/50-60	66-2162B	66-1198DB	66-1198BB
115	1.5	1/60	66-1110A	66-1111C	66-1111A
230	3	1/50-60	66-1110B	66-1111DB	66-1111BB
200 - 230	.5	3/50-60	66-2163A	—	—
380 - 460	1		66-2163B	—	—
200 - 230	1.5	3/50-60	66-2165A	66-2164CB	66-2164AB
380 - 460	3		66-2165B	66-2164DB	66-2164BB
200 - 230	3	3/50-60	66-2166A	66-1160CB	66-1160AB
380 - 460	5		66-2166B	66-1160DB	66-1160BB
575 - 600	7.5		66-2166C	66-2167CB	66-2167AB
200 - 230	5		66-1112CB	66-1112AB	66-1112BB
380 - 460	7.5	3/50-60	—	66-2168CB	66-2168AB
575 - 600	10		—	66-2168DB	66-2168BB
380 - 460	10	3/50-60	—	66-1112DB	66-1112BB
575 - 600	15		—	66-2169CB	66-2169AB
200 - 230	7.5	3/50-60	—	66-2170BB	66-2170AB
380 - 460	15		—	66-1113EB	66-1113BB
200 - 230	10	3/50-60	—	66-1113DB	66-1113AB
380 - 460	20		—	66-1114EB	66-1114BB
230	15	3/50-60	—	66-1114DB	66-1114AB

The motor starters described are industry approved and recommended for use with most pumps and filtration systems. For horizontal and vertical pump / motor assemblies, the starters are neither mounted nor wired unless specified and ordered. (See OPTIONAL).

Starters for filtration systems should be ordered as options from respective bulletins.

OPTIONAL

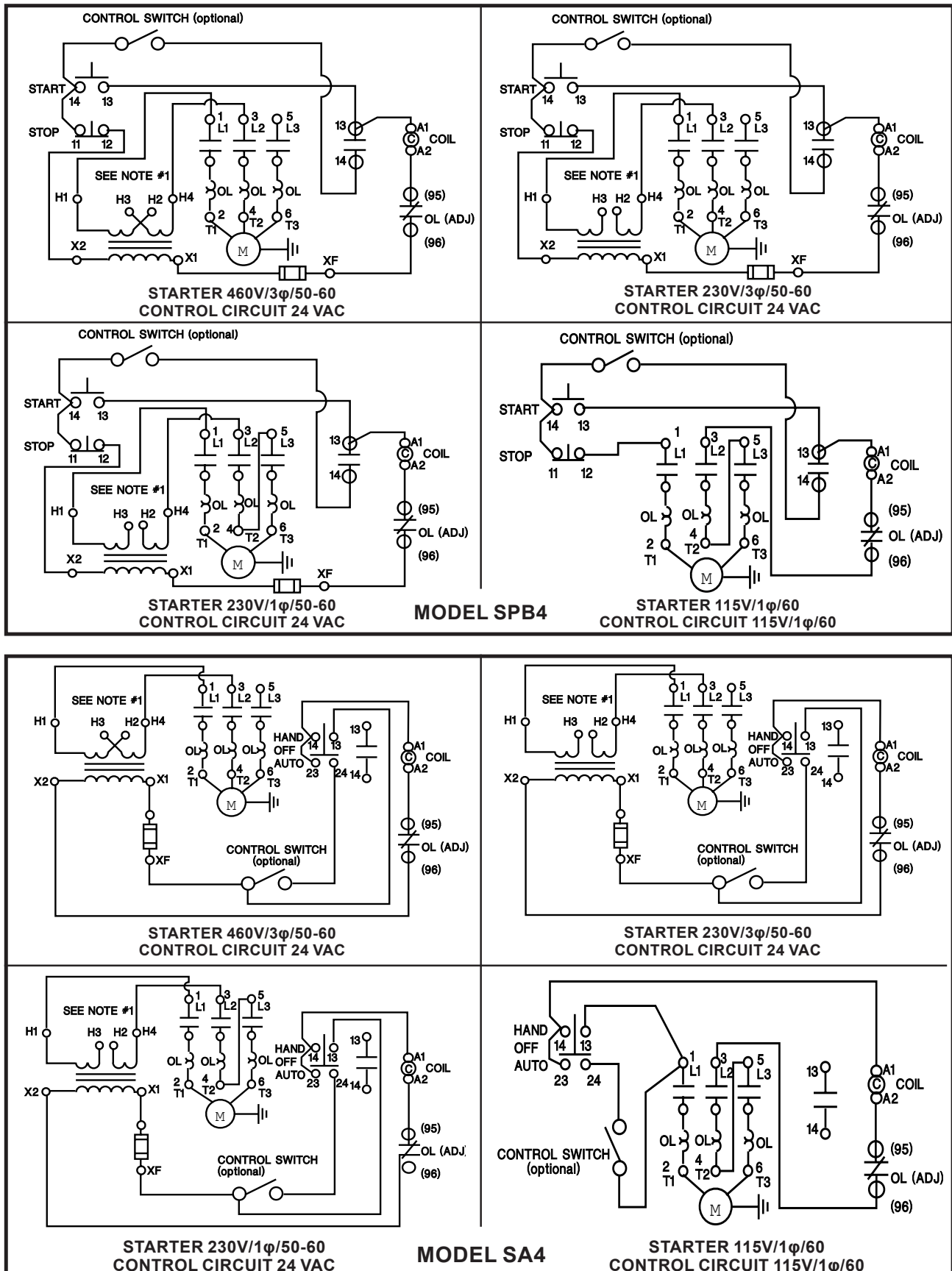
Starter wired to motor with 6 foot (1.8m) PVC conduit, connectors and lead wire.

PRICE CODE NO.	66-1170
-----------------------	---------



MAGNETIC | MOTOR STARTERS

2900 MacArthur Blvd. Northbrook, IL. USA 60062 www.serfilco.com (800) 323 - 5431



NOTE #1: See label on transformer for primary jumper connections.