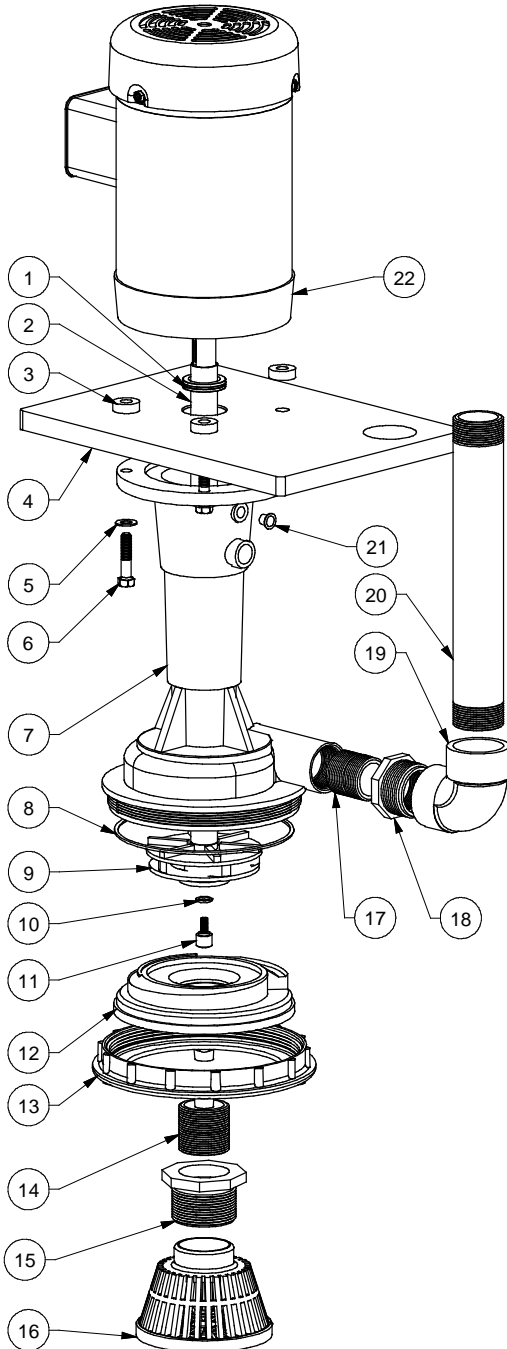


SERFILCO®

Parts List  
P-8990  
06/12/09

# SERIES 'EO 1' PLASTIC SUMP PUMP

For SERIES 'EO 1 1/4' PLASTIC SUMP PUMP refer to P-8985



NO.	DESCRIPTION	QTY	CPVC	PP	PVDF
1	VAPOR SEAL 1/3hp 3/4hp 1 & 1 1/2hp	1		22-0901 22-0902 22-0848	
2	SHAFT 1/3hp SS TI 3/4hp SS TI 1 & 1 1/2hp SS TI	1		39-8002 SS 39-8002 T 39-8003 SS 39-8003 T 39-8004 SS 39-8004 T	
3	SPACER CPVC SS	4		44-3194 44-3194 1	
4	MOUNTING PLATE 1/3 & 3/4hp 1/3 & 3/4hp w/ DP hole 1 & 1 1/2hp 1 & 1 1/2hp w/ DP hole	1	39-8000 P 39-8000 1P 39-8007 P 39-8007 1P	39-8000 PP 39-8000 1PP 39-8007 PP 39-8007 1PP	39-8000 K 39-8000 1K 39-8007 K 39-8007 1K
5	WASHER 3/8" SS TI	4		11-0126 11-2067	
6	BOLT 3/8"-16x1 3/4" SS TI	4		11-0374 11-0374 T	
7	BODY	1	39-8130 C	39-8130 PPP	39-8130 K
8	O-RING FKM EPDM	1		22-0363 V 22-0363	
9	IMPELLER 1/3hp ø2 3/4" 3/4hp ø2 3/4" 1hp & 1 1/2hp ø2 3/4" 3/4hp ø3" 1hp & 1 1/2hp ø3"	1	39-8009 C 39-8006 2C 39-8107 2C 39-8006 C 39-8107 C	39-8009 PPP 39-8006 2PPP 39-8107 2PPP 39-8006 PPP 39-8107 PPP	39-8009 K 39-8006 2K 39-8107 2K 39-8006 K 39-8107 K
10	O-RING Impeller FKM EPDM	1		22-0870 V 22-0870	
11	IMPELLER Bolt	1	39-8135 C	39-8135 PPP	39-8135 K
12	SUCTION COVER	1	39-8103 C	39-8103 PPP	39-8103 K
13	SUCTION RETAINER	1	39-8104 C	39-8104 PPP	39-8104 K
14	CLOSE NIPPLE 1 1/4" Suction extension 18"long Coupling for Suc. ext 1 1/2"	1	33-1017 33-2000 -	33-1017 PP 33-2000 PP -	- 33-2288 K 33-0895 K
15	BUSHING 1 1/2"x1 1/4" 1 1/2"x2"	1	33-1137 -	33-1137 PP -	33-1806 K 33-1132 K
16	STRAINER 1 1/2" PE 2" ECTFE	1		99-0743 1 99-1030	
17	CLOSE NIPPLE 1"	1	33-1011	33-1011 PP	33-1011 K
18	BUSHING 1 1/4"x1"	1	33-0183	33-0183 PP	-
19	ELBOW 1 1/4" (1" PVDF)	1	33-0995	33-0995 PP	33-0994 K
20	NIPPLE 1 1/4"x12" (1" PVDF)	1	33-1053 PP	33-1053	33-1051 K
21	PLUG, ACCESS HOLE	2			33-8082
22	MOTORS -TEFC	1		115-208/230 /1/50-60 66-1044 66-1047 66-1197 66-1034	208-230/460 /3/50-60 66-1045 66-1048 66-1022 66-1021

Notes:

- As of October 2005, natural polypropylene (PP) pumps are glass filled beige polypropylene (PPP)
- Natural white polypropylene (PP) and glass filled beige polypropylene (PPP) are not interchangeable parts, items 7, 12, 13.

Product Bulletin:	P-312
Operation and Service Guide:	O-0908