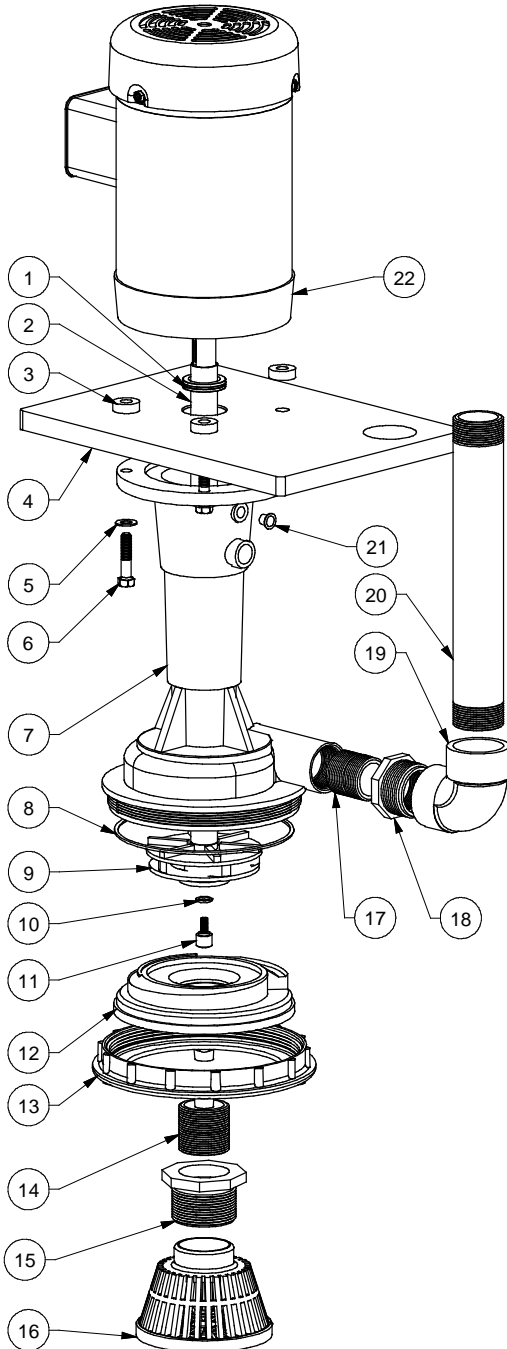


SERFILCO®

Parts List  
P-8985\_F  
05/22/09

# SERIES 'EO 1 1/4' PLASTIC SUMP PUMP

For SERIES 'EO 1' PLASTIC SUMP PUMP refer to P-8990



NO.	DESCRIPTION	QTY	CPVC	PP	PVDF
1	VAPOR SEAL	1		22-0848	
2	SHAFT 3/4 HP SS TI 1 & 1 1/2 HP SS TI	1		39-8004 2SS 39-8004 2T 39-8004 SS 39-8004 T	
3	SPACER CPVC SS	4		44-3194 44-3194 1	
4	MOUNTING PLATE w/ DPA hole	1	39-8001 P 39-8001 1P	39-8001 PP 39-8001 1PP	39-8001 K 39-8001 1K
5	WASHER ø3/8" SS TI	4		11-0126 11-2067	
6	BOLT 3/8"-16x1 3/4" SS TI	4		11-0374 11-0374 T	
7	BODY	1	39-8132 C	39-8132 PPP	39-8132 K
8	O-RING FKM EPDM	1		22-0869 V 22-0869	22-0916 V 22-0916
9	IMPELLER ø4" 1 & 1 1/2 HP ø3 3/4" 3/4 HP(50 Hz) ø3 3/4"	1	39-8131 C 39-8131 1C 39-8131 2C	39-8131 PPP 39-8131 1PPP 39-8131 2PPP	39-8131 K 39-8131 1K 39-8131 2K
10	O-RING Impeller FKM EPDM	1		22-0870 V 22-0870	
11	IMPELLER Bolt	1	39-8135 C	39-8135 PPP	39-8135 K
12	SUCTION COVER	1	39-8125 C	39-8125 PPP	39-8125 K
13	SUCTION RETAINER	1	39-8127 C	39-8127 PPP	39-8127 K
14	CLOSE NIPPLE 1 1/2" (opt.) ø1 1/2"x18" long	1	33-1023 33-2288	33-1023 PP 33-2288 PP	33-1023 K 33-2288 K
15	BUSHING 1 1/2"x2"	1	-	-	33-1132 K
16	STRAINER 1 1/2" PE 2" ECTFE	1		99-0743 1 99-1030	
17	NIPPLE close1 1/4"	1	33-1017	33-1017 PP	-
18	BUSHING1 1/2"x1 1/4"	1	33-1137	33-1137 PP	33-1806 K
19	ELBOW 1 1/2"	1	33-0996	33-0996 PP	33-0996 K
20	NIPPLEø1 1/2"x12"	1	33-1059	33-1059 PP	33-1059 K
21	PLUG, ACCESS HOLE	2		33-8082	
22	MOTORS -TEFC, 56C	1		115-208/230 /1/50-60	208-230/460 /3/50-60
			Size		
			3/4 HP	66-1047	66-1048
			1 HP	66-1197	66-1022
			1 1/2 HP	66-1034	66-1021
			2 HP	-	66-1020

Notes:

- As of October 2005, natural polypropylene (PP) pumps are glass filled beige polypropylene (PPP)
- Natural white polypropylene (PP) and glass filled beige polypropylene (PPP) are not interchangeable parts, items 7, 12, 13.

Product Bulletin:	P-312
Operation and Service Guide:	O-0908