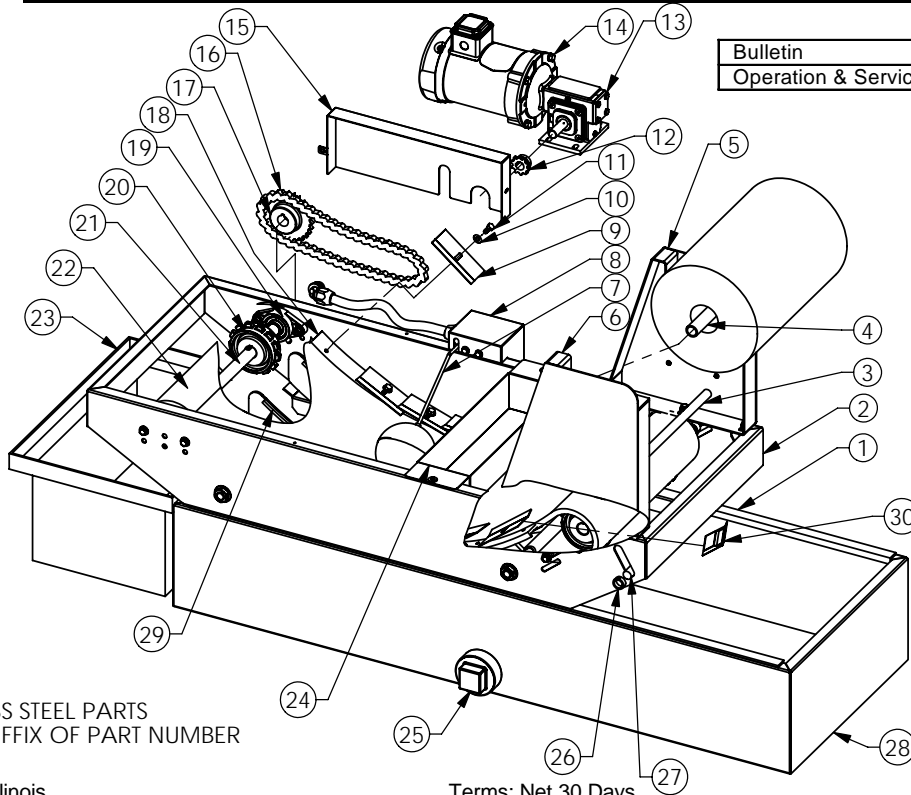


'DF' GRAVITY FILTRATION SYSTEM SERIES 'S' AND 'SS' (MANUFACTURED AFTER 1998)

PARTS LIST
P-7910
2/5/2007

NO	TITLE	TITLE DESCRIPTION	PART NO.			
			DF-4	DF-8	DF-11	DF-16.5
1	STRIP	RESERVOIR TANK -PE	49-5178-2		49-5178-3	
2*	FRAME	HOUSING -ST	49-5053	49-5087	49-5147	49-5205
3	GUIDE	FABRIC -SS	49-5176-SS		49-5108-SS	49-5200-SS
4	PIPE	PAPER ROLL -ST	49-5100	49-5184		49-5211
5*	BRACKET	MEDIA SUPPORT (RIGHT) -ST	49-5107			
6*	BRACKET	MEDIA SUPPORT (LEFT) -ST	49-5106			
7	FLOAT	BALL ASSEMBLY	49-5213			
8*	COVER	SWITCH -ST	49-5064			
9	PLATE	HOLD-DOWN -SS	49-5117			
10	WASHER	FLAT -SS	11-0122			
11	BOLT	HEX HD; 5/16-18x3/4" -SS	11-0315			
12	SPROCKET	REDUCER -ST	49-0688			
13	REDUCER	SPEED	49-0516			
14	MOTOR	1/3 HP 115/1/60,1725 RPM	49-0529			
15*	GUARD	CHAIN -ST	49-5060			
16	CHAIN	PRIMARY DRIVE -ST	49-5165			
17	SPROCKET	DRIVE -ST	49-0692			
18	SEAL	STRIP -VINYL RUBBER -EPDM -SILICON	49-5116 49-5116-L 49-5116-1	49-5161 49-5161-L 49-5161-1		
19*	BEARING	FLANGED PILLOW	49-5004			
20*	SPROCKET	CONVEYOR -CI	49-0520			
21	SHAFT	DRIVE -SS	49-5104	49-5094	49-5152	49-5196
22	BELT	CONVEYOR -SS	49-5181-1	49-5182-1	49-5182-2	49-5203-1
23*	TANK	SLUDGE (DF4-PE) -ST	49-0735	49-5113		
24*	TRAY	DIFFUSER -ST	49-5055	49-5088	49-5204	
25*	PLUG	3" SQUARE HEAD -ST	33-0511			
26	COLLAR	TENSION -SS	49-5163-SS			
27	ROD	MEDIA TENSION -SS	49-5076	49-5086		49-5199
28*	TANK	RESERVOIR -ST	49-5058	49-5093	49-5146	49-5202
29	STRIP	SUPPORT RIB WEAR -NYLON	49-5166-2		49-5166-3	
30	GUIDE	PAPER -SS	49-5164			



Bulletin	F-701
Operation & Service Guide	O-280

* FOR STAINLESS STEEL PARTS
ADD SS TO SUFFIX OF PART NUMBER

F.O.B Northbrook, Illinois

Terms: Net 30 Days

Minimum order \$50.00



SERFILCO, LTD.

2900 MacArthur Blvd.
Northbrook, IL 60062 U.S.A.
Email: Sales@SERFILCO.com
Web: WWW.SERFILCO.COM

(800) 323-5431
(847) 509-2900
Fax: (847) 559-1995