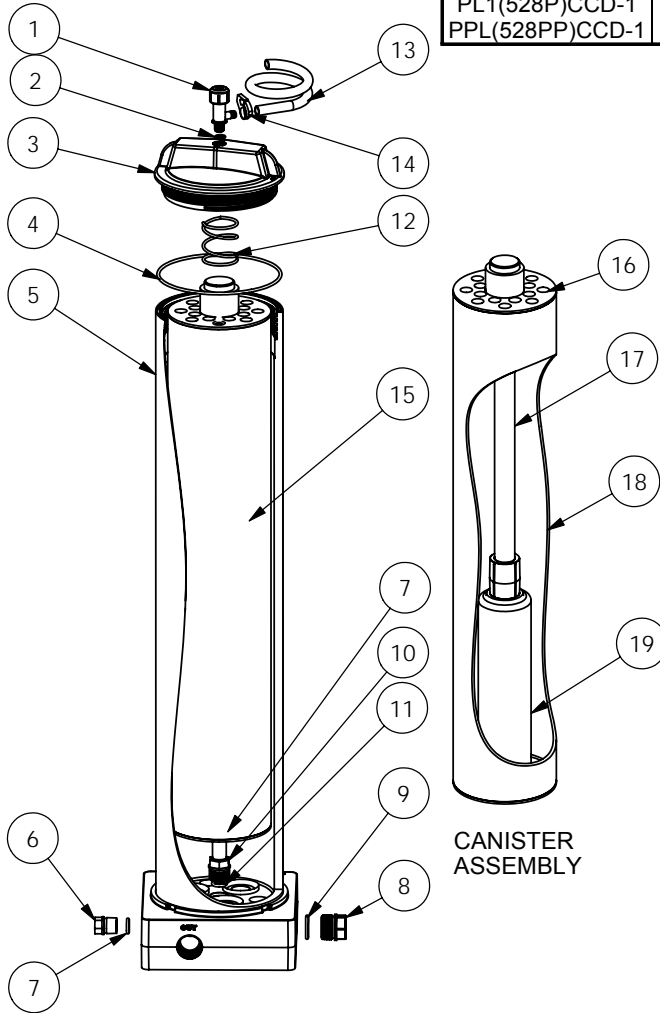




SERIES 'SD-C' CHAMBERS CARBON PURIFICATION

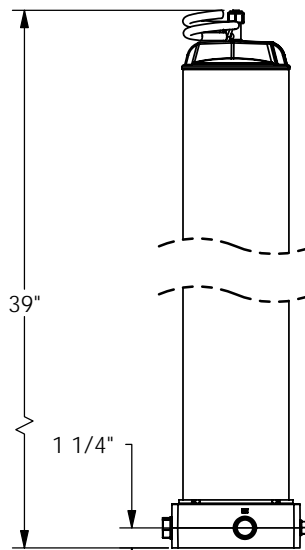
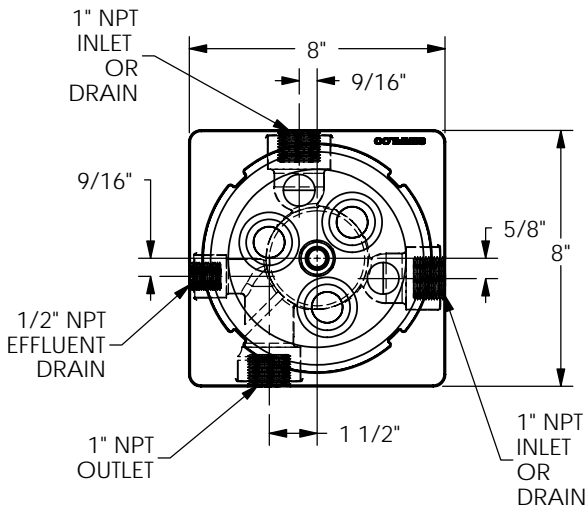
PARTS LIST
P-4460
11/17/2006

MODEL	PRICE CODE
CL1(528P)CCD-1	78-1486-C
PL1(528P)CCD-1	78-1486-P
PPL(528PP)CCD-1	78-1486-PP



NO	DESCRIPTION	QTY	PART NO.
1	VENT VALVE -PP	1	33-8108-PP
2	O-RING -EPDM	1	22-0870
	-VITON		22-0870-V
3	COVER -RYTON	88	-3159-R
	-CPVC		88-3159
4	O-RING -EPDM	1	22-0887
	-VITON		22-0887-V
5	SHELL & BASE ASSEMBLY -PP	1	88-3640-PP
	-CPVC		88-3640-C
	-PVC		88-3640-P
6	PLUG, 1/2" NPT -PP	1	33-0866-PP
	-CPVC		33-0866
7	O-RING -EPDM	2	22-0569
	-VITON		22-0568
8	PLUG, 1" NPT -PP	1	33-0212-PP
	-CPVC		33-0212
9	O-RING -EPDM	1	22-0605
	-VITON		22-0604
10	CANISTER GUIDE -PP	1	88-1139-PP
	-CPVC		88-1139
11	O-RING -EPDM	1	22-0570
	-VITON		22-0563
12	SPRING, VINYL COATED -SS	1	77-0301-1
13	VENT VALVE HOSE	8'	22-0913
14	HOSE CLAMP	1	22-0912

15	CANISTER ASSEMBLY -PP	1	88-2779-PP
	-PVC		88-2979
16	CANISTER COVER -PP	1	88-3446-PP
	-CPVC/PVC		88-2781
17	STAND PIPE ASSEMBLY -PP	1	88-1440-PP
	-CPVC		88-1440
18	CANISTER SHELL -PP	1	88-2777-PP
	-PVC		88-2777
19	FILTER CARTRIDGE	1	SF-03U10U



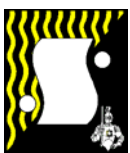
GRANULAR ACTIVATED CARBON	LBS	P/C NO
8 X 30 MESH	10	99-0992
99.5% SULFUR FREE (STANDARD)	50	99-0995
12 X 30 MESH	10	99-0993
SULFUR FREE (ACID WASHED)	50	99-0996
10 OR 50 LB. DRUMS ONLY		

Bulletin	C-116
Operation & Service Guide	O-4100

F.O.B Northbrook, Illinois

Terms: Net 30 Days

Minimum order \$50.00



SERFILCO, LTD.

2900 MacArthur Blvd.
Northbrook, IL 60062 U.S.A.
Email: Sales@SERFILCO.com
Web: WWW.SERFILCO.COM

(800) 323-5431
(847) 509-2900
Fax: (847) 559-1995