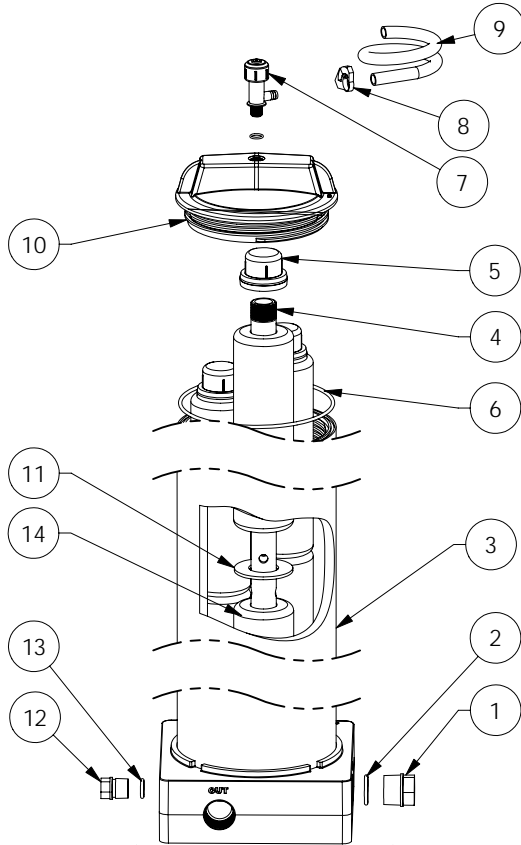


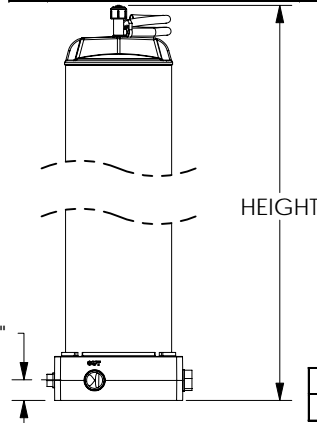
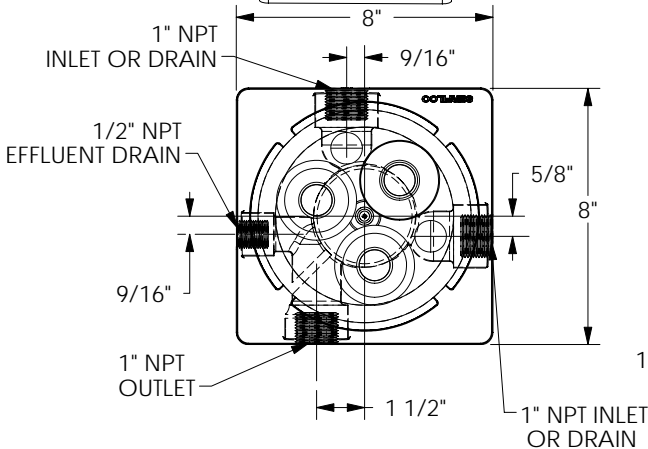
# SERIES 'SD' PLASTIC FILTER CHAMBERS

PARTS LIST  
P-4420  
06/14/06

PORT SIZE	SIZE	PVC		CPVC		PP	
		MODELS	PRICE CODE	MODELS	PRICE CODE	MODELS	PRICE CODE
1" NPT	30	PL30(1)D-1	78-1300-P	CL30(1)D-1	78-1300-C	PPL30(1)D-1	78-1300-PP
	60	PL60(2)D-1	78-1301-P	CL60(2)D-1	78-1301-C	PPL60(2)D-1	78-1301-PP
	90	PL90(3)D-1	78-1302-P	CL90(3)D-1	78-1302-C	PPL90(3)D-1	78-1302-PP
	120	PL120(4)D-1	78-1303-P	CL120(4)D-1	78-1303-C	PPL120(4)D-1	78-1303-PP
1-1/4" NPT	30	PL30(1)D-1-1/4	78-1480-P	CL30(1)D-1-1/4	78-1480-C	PPL30(1)D-1-1/4	78-1480-PP
	60	PL60(2)D-1-1/4	78-1481-P	CL60(2)D-1-1/4	78-1481-C	PPL60(2)D-1-1/4	78-1481-PP
	90	PL90(3)D-1-1/4	78-1482-P	CL90(3)D-1-1/4	78-1482-C	PPL90(3)D-1-1/4	78-1482-PP
	120	PL120(4)D-1-1/4	78-1483-P	CL120(4)D-1-1/4	78-1483-C	PPL120(4)D-1-1/4	78-1483-PP



NO	DESCRIPTION	QTY	CPVC	PVC	PP
1	PLUG 1" NPT	1	33-0212		33-0212-PP
	CAP 1-1/4" NPT		33-0876		33-0876-PP
2	O-RING -EPDM -Viton	1	22-0605		
			22-0604		
3	SHELL & BASE ASSEMBLY	1	30 (1)	88-3151	88-3151-PP
			60 (2)	88-3152	88-3152-PP
			90 (3)	88-3153	88-3153-PP
			120 (4)	88-3154	88-3154-PP
4	THREADED CARTRIDGE POST	3	30 (1)	33-0091	88-1611-PP
			60 (2)	33-0091-1	88-1612-PP
			90 (3)	33-0091-2	88-1613-PP
			120 (4)	33-0091-3	88-1614-PP
5	CAP HOLD DOWN	3	88-0781-1		77-1590-PP
6	O-RING -EPDM -Viton	1	22-0887		
			22-0887-V		
7	VENT VALVE	1	33-8108-PP		
8	HOSE CLAMP	1	22-0912		
9	VENT VALVE HOSE	8'	22-0913		
10	COVER	1	88-3159		88-3159-PP
11	CARTRIDGE SPACER	3	22-0218		
			22-0204		
12	PLUG 1/2" NPT	1	33-0866		33-0866-PP
13	O-RING -EPDM -Viton	1	22-0569		
			22-0568		
14	DEPTH TYPE CARTRIDGE	SEE BULLETIN M-109			
	SLEEVE CARTRIDGE	SEE PART LIST P-8600			



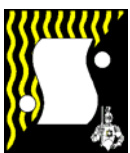
Model	HEIGHT
30(1)D	18 3/4"
60(2)D	28 3/4"
90(3)D	38 3/4"
120(4)D	48 3/4"

Bulletin	C-116
Operation & Service Guide	O-4100

F.O.B Northbrook, Illinois

Terms: Net 30 Days

Minimum order \$50.00



# SERFILCO, LTD.

2900 MacArthur Blvd.  
Northbrook, IL 60062 U.S.A.  
Email: Sales@SERFILCO.com  
Web: WWW.SERFILCO.COM

(800) 323-5431  
(847) 509-2900  
Fax: (847) 559-1995