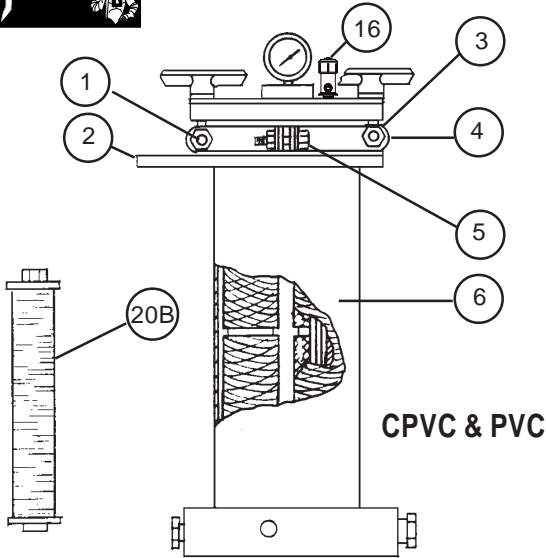




SERIES 'S' FILTER CHAMBER

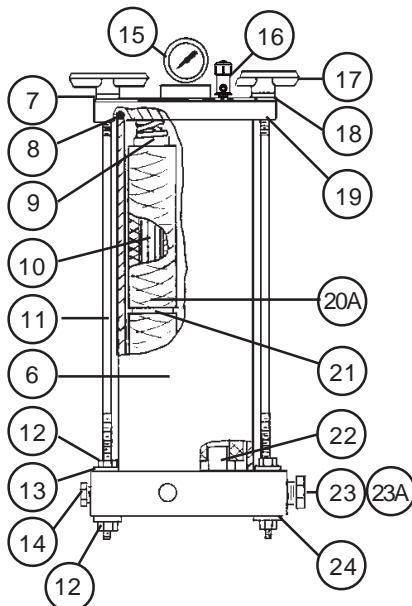
PARTS LIST
P-4400U
MAY 2002

with molded base & cover for DOE cartridges



CPVC & PVC

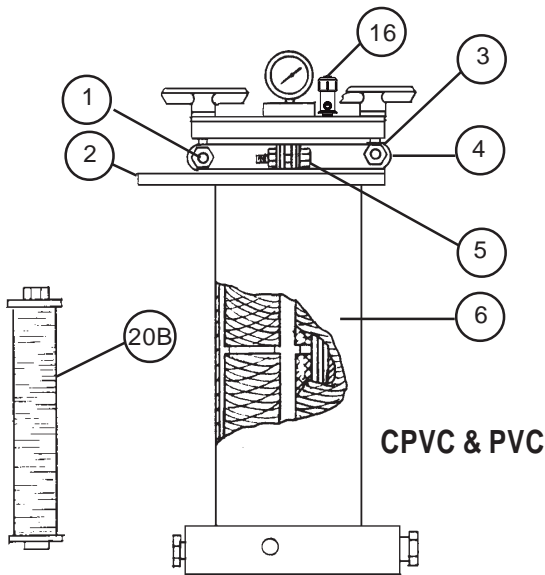
1" NPT Ports		1/4" NPT Ports	
CL30(1)S-1-G3	78-0250	CL30(1)S-1/4-G3	78-1166
CL60(2)S-1-G3	78-0251	CL60(2)S-1/4-G3	78-1167
CL90(3)S-1-G3	78-0252	CL90(3)S-1/4-G3	78-1168
CL120(4)S-1-G3	78-0253	CL120(4)S-1/4-G3	78-1169
CL150(5)S-1-G3	78-1243	CL150(5)S-1/4-G3	78-1247
PL30(1)S-1-G3	78-1132	PL30(1)S-1/4-G3	78-1044
PL60(2)S-1-G3	78-1133	PL60(2)S-1/4-G3	78-1045
PL90(3)S-1-G3	78-1134	PL90(3)S-1/4-G3	78-1046
PL120(4)S-1-G3	78-1135	PL120(4)S-1/4-G3	78-1047
PL150(5)S-1-G3	78-1242	PL150(5)S-1/4-G3	78-1246



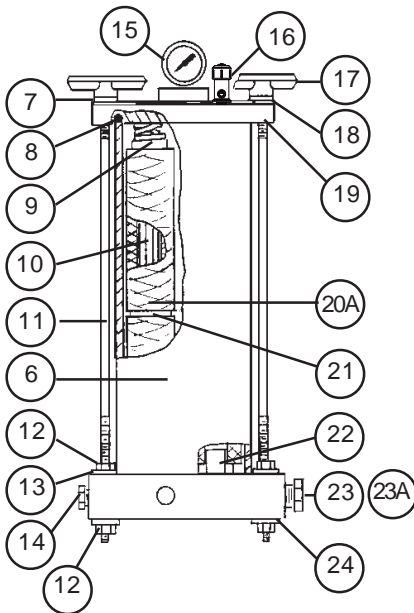
PP & PVDF

1" NPT Ports		1/4" NPT Ports	
PPL30(1)-1-G3	78-1040	PPL30(1)-1/4-G3	78-1174
PPL60(2)-1-G3	78-1041	PPL60(2)-1/4-G3	78-1175
PPL90(3)-1-G3	78-1042	PPL90(3)-1/4-G3	78-1176
PPL120(4)-1-G3	78-1043	PPL120(4)-1/4-G3	78-1177
PPL150(5)-1-G3	78-1245	PPL150(5)-1/4-G3	78-1248
KL30(1)-1-G3	78-0450	KL30(1)-1/4-G3	78-1170
KL60(2)-1-G3	78-0451	KL60(2)-1/4-G3	78-1171
KL90(3)-1-G3	78-0452	KL90(3)-1/4-G3	78-1172
KL120(4)-1-G3	78-0453	KL120(4)-1/4-G3	78-1173
KL150(5)-1-G3	78-1244	KL150(5)-1/4-G3	78-1263

Refer to Bulletin C-106, Operation and Service Guide O-886 and Master Price List F-800.		MODEL			
		PL30(1)S PL60(2)S PL90(3)S PL120(4)S PL150(5)S	CL30(1)S CL60(2)S CL90(3)S CL120(4)S CL150(5)S	KL30(1) KL60(2) KL90(3) KL120(4) KL150(5)	PPL30(1) PPL60(2) PPL90(3) PPL120(4) PPL150(5)
ITEM	DESCRIPTION				
1	Hex head bolt, 3/8"-16 x 1-5/8" - stainless steel (4 req'd) Hex nut, self locking, 3/8"-16 - stainless steel (4 req'd)	11-0444 1			-
2	Mounting plate, 9" x 8" x 1" (opt.)	88-0556 1			
3	Swing bolts, 3/8"-16 x 3 1/2" long - stainless steel (4 req'd)	11-0497 1			-
4	Swing bolt bracket - 316 SS	88-0596			-
5	Hex head bolt, 1/4"-20 x 1 1/4" - stainless steel (2 req'd) Whizz nut, 1/4"-20 - stainless steel (2 req'd) Flat washer, 1/4" size - stainless steel (2 req'd)	11-0390 11-0103 11-0121			-
6	Shell & base assembly 1" NPT 30 (1) 60 (2) 90 (3) 120 (4) 150 (5) 1/4" NPT 30 (1) 60 (2) 90 (3) 120 (4) 150 (5)	88-2912 88-2913 88-2914 88-2915 88-3175 88-3166 88-3167 88-3168 88-3169 88-3179	88-1124 88-1125 88-1126 88-1127 88-3174 88-2910 88-2908 88-2911 88-2909 88-3178	88-2880 88-2881 88-2882 88-2883 88-3177 88-3013 88-3014 88-3015 88-3016 88-3181	88-2792 88-2793 88-2794 88-2795 88-3176 88-3017 88-3018 88-3019 88-3020 88-3180
7	Washer, 3/8" size - stainless steel (4 req'd)	11-0447			
8 ²	'O'-ring - EPDM (std.) - Viton (optional)	22-0365 22-0360		22-0199 22-0565	22-0365 22-0360
9	Compression top seat spring, - polypropylene (3 req'd) (standard on PL, CL, & PPL) Top seat plate ass'y (3 req'd) (standard on KL) Includes seat plate, spring & cap Top seat plate (3 req'd) - CPVC - PVDF 316 stl. spring (3 req'd) - vinyl coated - PVDF coated Spring guard cap (3 req'd) - CPVC - PVDF	77-0844 77-0916 77-0701A - 77-0301 1 - 77-0911 -		- 77-0916 1 - 77-0915 - 77-0301 2 - 77-1241	77-0844
10	Cross post (3 req'd) (CPVC for PL & CL, polysulfone for KL & PPL) for 60(2) 90(3) 120(4) 150(5)	88-0350-4 88-0351-4 88-0352-4 88-0353-4			77-1404 77-1405 77-1406 77-1407



1" NPT Ports		1/4" NPT Ports	
CL30(1)S-1-G3	78-0250	CL30(1)S-1/4-G3	78-1166
CL60(2)S-1-G3	78-0251	CL60(2)S-1/4-G3	78-1167
CL90(3)S-1-G3	78-0252	CL90(3)S-1/4-G3	78-1168
CL120(4)S-1-G3	78-0253	CL120(4)S-1/4-G3	78-1169
CL150(5)S-1-G3	78-1243	CL150(5)S-1/4-G3	78-1247
PL30(1)S-1-G3	78-1132	PL30(1)S-1/4-G3	78-1044
PL60(2)S-1-G3	78-1133	PL60(2)S-1/4-G3	78-1045
PL90(3)S-1-G3	78-1134	PL90(3)S-1/4-G3	78-1046
PL120(4)S-1-G3	78-1135	PL120(4)S-1/4-G3	78-1047
PL150(5)S-1-G3	78-1242	PL150(5)S-1/4-G3	78-1246



1" NPT Ports		1/4" NPT Ports	
PPL30(1)-1-G3	78-1040	PPL30(1)-1/4-G3	78-1174
PPL60(2)-1-G3	78-1041	PPL60(2)-1/4-G3	78-1175
PPL90(3)-1-G3	78-1042	PPL90(3)-1/4-G3	78-1176
PPL120(4)-1-G3	78-1043	PPL120(4)-1/4-G3	78-1177
PPL150(5)-1-G3	78-1245	PPL150(5)-1/4-G3	78-1248
KL30(1)-1-G3	78-0450	KL30(1)-1/4-G3	78-1170
KL60(2)-1-G3	78-0451	KL60(2)-1/4-G3	78-1171
KL90(3)-1-G3	78-0452	KL90(3)-1/4-G3	78-1172
KL120(4)-1-G3	78-0453	KL120(4)-1/4-G3	78-1173
KL150(5)-1-G3	78-1244	KL150(5)-1/4-G3	78-1263

MODEL			
PL30(1)S	CL30(1)S	KL30(1)	PPL30(1)
PL60(2)S	CL60(2)S	KL60(2)	PPL60(2)
PL90(3)S	CL90(3)S	KL90(3)	PPL90(3)
PL120(4)S	CL120(4)S	KL120(4)	PPL120(4)
PL150(5)S	CL150(5)S	KL150(5)	PPL150(5)

ITEM	DESCRIPTION				
11	Tie rod, 3/8"-16 - 316 stainless steel (4 req'd)				
	30(1)	-			77-1399 1
	60(2)	-			77-1399 2
	90(3)	-			77-1399 3
	120(4)	-			77-1399 4
	150(5)	-			77-1399 5
12	Nut, 3/8"-16 - stn. steel (8 req'd)				11-0105
13	Flat washer, 3/8" size - stainless steel (8 req'd)				11-0126
14 ¹	Plug 1/2" NPT - EPDM 'O'-ring only (std) - Viton	33-0866		33-0866 K	33-0866 PP
			22-0569		
			22-0568		
15	Type G3 Gauge Guard assembly Refer to parts list P-2300		99-0732		
16	Vent valve, 1/4" NPT - polypropylene	33-8108 PP	-		33-8108 PP
	Vent plug, 1/4" NPT	-	88-1340		-
16A	"O"-ring - EPDM (standard) - Viton (optional)	22-0870 22-0870 V	22-0600 22-0691		22-0870 22-0870 V
17	Tee handle - polypropylene molded(4 req'd)		11-0265		
18	Cover plate -FRP std. on KL & PPL - FRP (optional) - stainless steel (optional)	- 88-0597		88-0597A -	
			88-0597 1		
19	Cover, molded	88-0387	88-1339		88-2785
20A	Depth type cartridge - See Bulletin M-109				
20B	Sleeve cartridge - Refer to Parts List P-8600				
21 ^{1,2}	Cartridge spacer - EPDM (standard) - Viton (optional)		22-0218 22-0204		
22	Cartridge guide for Model 30(1) (3 req'd)	88-0412	88-0442		88-0411
23	Plug 1" NPT (1" base only) - EPDM 'O'-ring only (std.) - Viton 'O'-ring only (optional)	33-0212		33-0212 K	33-0212 PP
			22-0605 22-0604		
23A	Cap, 1/4" FNPT (1/4" base only)	33-0876		33-0876 K	33-0876 PP
24	Lockwasher, 3/8" size - stainless steel (4 req'd)	-			11-0140
25	Vent valve hose, 8' (not shown)	22-0913			22-0913
25A	Hose clamp (not shown)	22-0912			22-0912

¹ Recommended spare parts.

² Use between cartridges when cartridges are removed for cleaning or replacing.