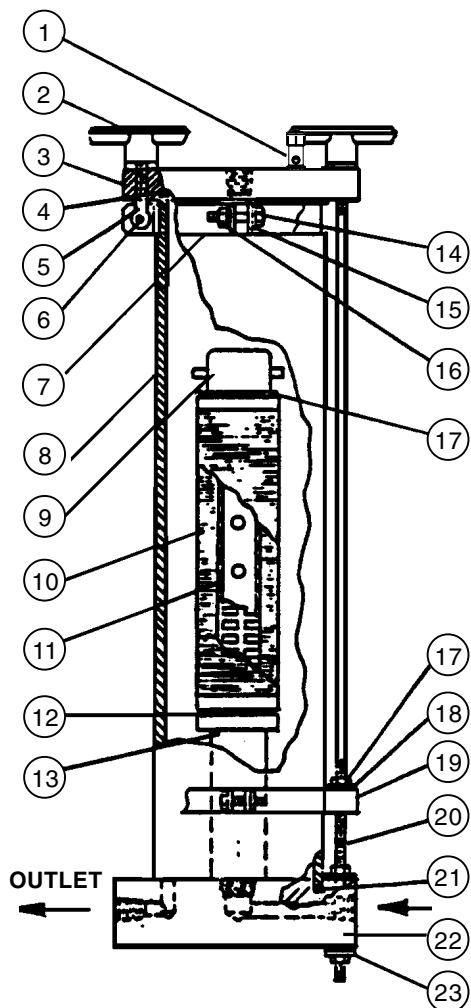




# COALESCING CHAMBERS

MODELS	PRICE CODE NUMBERS
PCV620KS $\frac{3}{4}$ " <sup>2</sup>	78-1367
CV620KS $\frac{3}{4}$ " <sup>2</sup>	78-1372
PPV620K $\frac{3}{4}$ " <sup>3</sup>	78-1369
PPCV620K $\frac{3}{4}$ "	78-1410

Refer to Operation and Service Guide O-420  
and Master Price List F-800.

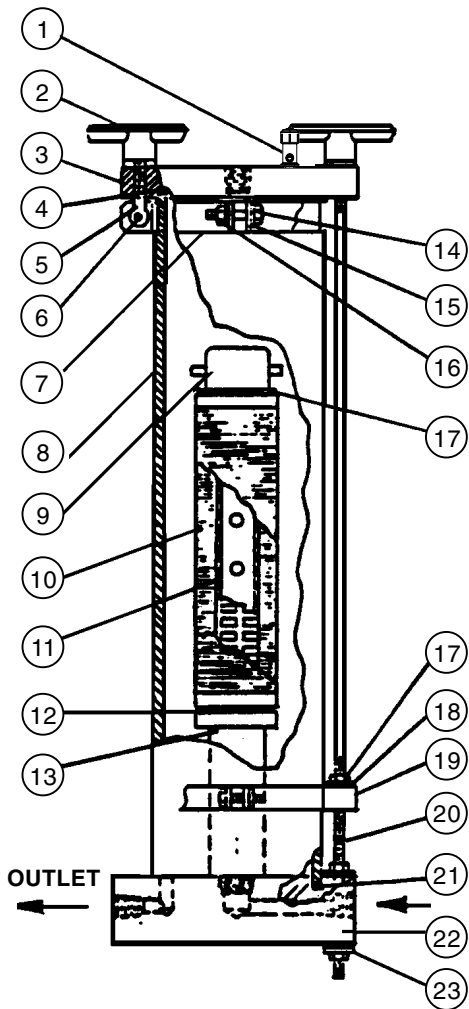


ITEM	DESCRIPTION	PART NUMBERS		
		CV620KS PCV620KS	PPV620K	PPCV620K
1 <sup>1</sup>	Vent valve, 1/4" NPT, polypropylene Viton "O"-ring (standard) EPDM "O"-ring (optional)		33-8108 PP 88-0870 V 88-0870	
2	Tee handle - polypropylene (molded) (4 req'd) Flat washer, 3/8" - stainless steel (4 req'd)		11-0265 11-0447	
3	Cover assembly w/Viton "O"-ring & vent plug ass'y. (std) - CPVC - polypropylene w/EPDM "O"-ring & vent plug ass'y. (opt) - CPVC - polypropylene	88-0995 - 88-0995A -	- 88-3239 - 88-3239A	
3A	Cover plate - FRP (not shown)	-	88-0597A	
4 <sup>1</sup>	Cover "O"-ring - Viton (standard) - EPDM (optional)		22-0360 22-0365	
5	Swing bolt, 3/8"-16 x 3 1/2" - stainless steel (4 req'd)	11-0497 1		-
6	Hex head bolt, 3/8"-16 x 1-1/2" - stainless steel (4 req'd) Hex nut, self locking, 3/8"-16 - stainless steel (4 req'd)	11-0444 1 11-0519		- -
7	Swing bolt bracket - vinyl coated steel	88-0596		-
8	Shell & base ass'y - clear PVC - CPVC - CPVC for sight glass - polypropylene	88-1114 C 88-1114 88-1114 3 -	- - - 88-3233	- - - -
8A	Shell - clear PVC	-	-	88-2892 4
9	Cap - CPVC - polypropylene	88-0781 -	- 88-3243	
10	Coalescing element (K2.5 x 10)		Refer to Bulletin M-210-2	
11	Tube guide - CPVC - polypropylene	33-0091 -	- 88-3235	
12 <sup>1</sup>	Tube spacer (2 req'd) - Viton (standard) - Neoprene - EPDM		22-0204 22-0587 22-0218	
13	Support column assembly	88-0567		88-3236

1 Recommended spare parts.

2 Does not have hold-down bracket. Shell cemented to the base. Uses swing bolt bracket.

3 Does not have hold-down bracket or swing bolt bracket. Shell welded to base. Uses tie rods.



ITEM	DESCRIPTION	PART NUMBERS		
		CV620KS PCV620KS	PPV620K	PPCV620K
14	Hex head bolt, 1/4"-20 x 1 1/4" (2 req'd) - stainless steel	11-0390	-	
15	Flat washer, 1/4" - stainless steel (2 req'd)	11-0121	-	
16	Whiz locknut, 1/4"-20 - stn. steel (2 req'd)	11-0103	-	
17	Hex nut, 3/8"-16, stainless steel (8 req'd) (12 req'd)	-	11-0105	- 11-0105
18	Flat washer, 3/8"-16, stainless steel (8 req'd) (12 req'd)	-	11-0126	- 11-0126
19	Hold down bracket - vinyl coated steel	-	-	77-0787
20	Tie rod, 3/8"-16 x 30" - stainless steel (4 req'd)	-	77-0405 2	
21	Base gasket, flat - Viton (standard) - EPDM	-	-	22-0565 22-0199
22	Base only - PP	-	-	88-2786 5
23	Lock washer, 3/8", stainless steel (4 req'd)	-	11-0140	
<b>The following items are not shown.</b>				
24	Reducer bushing, 1" x 3/4" (2 req'd) - CPVC - polypropylene	33-0184 -	- 33-0184 PP	
	"O"-ring - Viton (standard) - EPDM		22-0604 22-0605	
25	Plug, 1" - CPVC - polypropylene	33-0212 -	- 33-0212 PP	
	"O"-ring - Viton (standard) - EPDM		22-0604 22-0605	
26	Plug, 1/2" - CPVC - polypropylene	33-0866 -	- 33-0866 PP	
	"O"-ring - Viton (standard) - EPDM		22-0568 22-0569	
27	Vent valve hose, vinyl, 8 ft.		22-0913	
27A	Hose clamp, nylon		22-0912	
<b>The following items are for sight glass option (not shown)</b>				
28	Threaded flange, 1/2" - CPVC (2 req'd)	33-0839	-	
29	Flange gasket (2 req'd)	22-0517	-	
30	Hex head bolt, 1/2"-13 x 1 1/2" - stainless steel (8 req'd)	11-0347	-	
31	Nut, 1/2"-13 - stainless steel (8 req'd)	11-0255	-	
32	Washer, 1/2" - stainless steel (16 req'd)	11-0124	-	
33	Lock washer, 1/2" - stainless steel (8 req'd)	11-0343	-	
	Threaded close nipple, 1/2" - CPVC (2 req'd)	33-0197	-	
34				
35	Sight glass assembly - CPVC	88-3285	-	

<sup>1</sup> Recommended spare parts.



**SERFILCO<sup>®</sup>, LTD.**

2900 MacArthur Blvd. 847-509-2900  
Northbrook, IL 60062-2005 U.S.A. 800-323-5431  
e-mail: sales@serfilco.com FAX: 847-559-1995  
www.serfilco.com

**WESTERN**

13721 Alma Avenue 310-532-0801  
Gardena, CA 90249-2513 FAX: 310-532-0866