



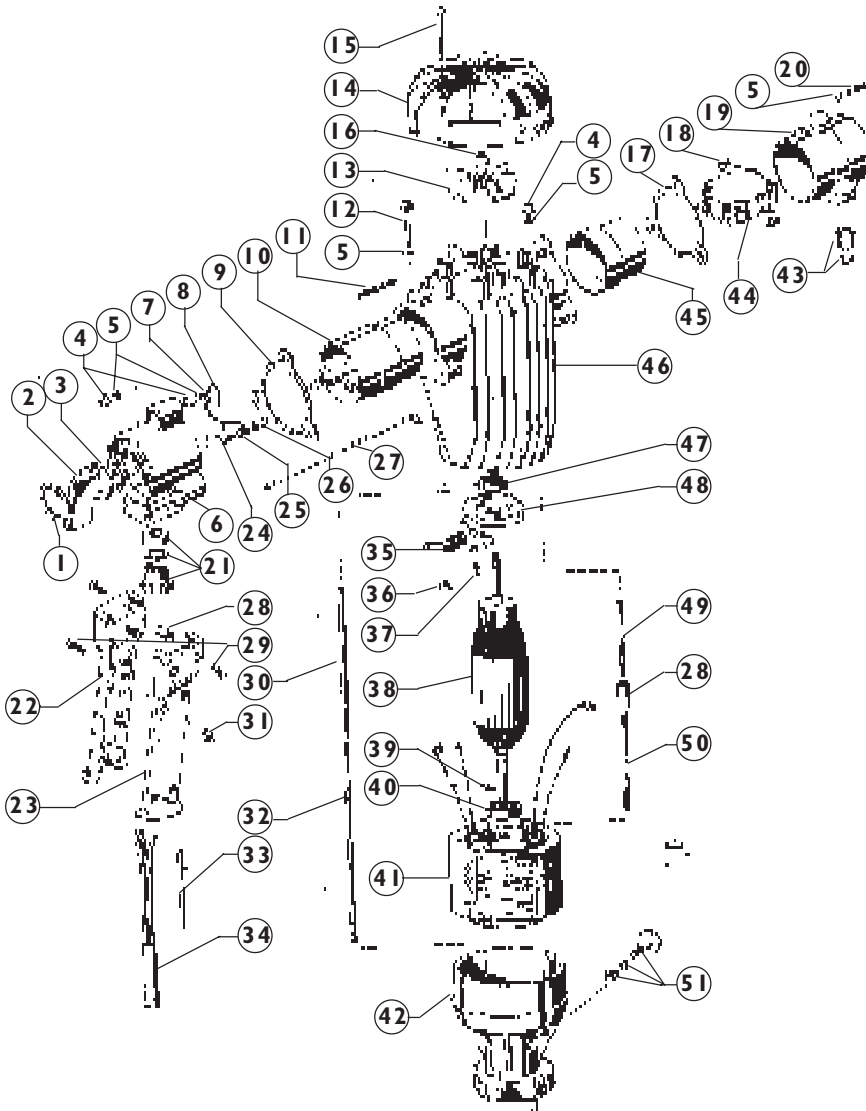
# MOTOR FOR DRUM PUMP

| MODEL | PRICE CODE NO |
|-------|---------------|
| EXP   | 55-0741       |

(Manufactured after August, 1987)

Refer to Master Price List F-800.

Refer to Operation & Service Guide O-170



| ITEM | DESCRIPTION             | PART NO. |
|------|-------------------------|----------|
| 1    | Clip ring               | 55-2065  |
| 2    | On/off knob             | 55-2377  |
| 3    | Felt disc               | 55-2376  |
| 4    | Nut                     | 55-2057  |
| 5    | Lockwasher              | 55-2056  |
| 6    | Switch housing          | 55-2375  |
| 7    | Ground wire             | 55-2134  |
| 8    | Clip                    | 55-2023  |
| 9    | Switch gasket           | 55-2104  |
| 10   | Switch                  | 55-2108  |
| 11   | Threaded rod            | 55-2041  |
| 12   | Screw                   | 55-2052  |
| 13   | Fan                     | 55-2010  |
| 14   | Fan cover               | 55-2390  |
| 15   | Screw                   | 55-2042  |
| 16   | Clip ring               | 55-2063  |
| 17   | Switch gasket           | 55-2110  |
| 18   | Screw                   | 55-2090  |
| 19   | Switch housing          | 55-2088  |
| 20   | Triangle screw          | 55-2053  |
| 21   | Packing gland screw     | 55-2016  |
| 22   | Handle, left side       | 55-2381  |
| 23   | Handle, right side      | 55-2382  |
| 24   | Clip                    | 55-2105  |
| 25   | Screw                   | 55-2100  |
| 26   | Elect. connector        | 55-2059  |
| 27   | Ground strap            | 55-2067  |
| 28   | Nut                     | 55-2032  |
| 29   | Screw                   | 55-2383  |
| 30   | Rod connector           | 55-2058  |
| 31   | Hex nut                 | 55-2448  |
| 32   | Rod connector           | 55-2392  |
| 33   | Insulating hose         | 55-2079  |
| 34   | Cable                   | 55-2074  |
| 35   | Carbon brush            | 55-2128  |
| 36   | Bridge nut              | 55-2033  |
| 37   | Fan key                 | 55-2051  |
| 38   | Armature                | 55-2398  |
| 39   | Pin                     | 55-2066  |
| 40   | Ball bearing            | 55-2062  |
| 41   | Stator                  | 55-2403  |
| 42   | Lower housing           | 55-2393  |
| 43   | Reset knob              | 55-2087  |
| 44   | On/off protector switch | 55-2092  |
| 45   | Fuse tube               | 55-2089  |
| 46   | Motor housing           | 55-2391  |
| 47   | Ball bearing            | 55-2061  |
| 48   | Brush holder            | 55-2191  |
| 49   | Rod connector           | 55-2031  |
| 50   | Rod connector           | 55-2030  |
| 51   | Screw assembly          | 55-2017  |

Minimum order \$25.00

F.O.B. Northbrook, Illinois

Terms: Net 30 Days



## SERFILCO<sup>®</sup>, LTD.

2900 MacArthur Blvd. 847-509-2900  
 Northbrook, IL 60062-2005 USA 800-323-5431  
 e-mail: Sales@serfilco.com FAX: 847-559-1995  
 www.serfilco.com

*WESTERN*  
 310-532-0801  
 FAX: 310-532-0866