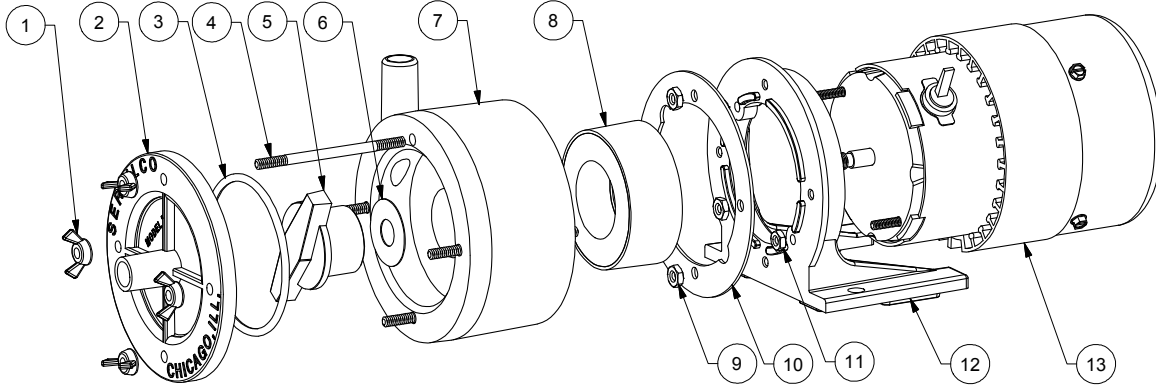


# SERFILCO® SERIES 'A MAG'

## Magnetic Coupled Pump

2900 MacArthur Blvd. Northbrook, IL. USA 60062 WWW.SERFILCO.COM (800) 323-5431

**PARTS LIST**  
P-2700\_R  
06/30/11  
Page 1 of 1



NO.	DESCRIPTION	QTY	CPVC	PP	ECTFE	PVDF
1	Wing nut, 10-24 SS	4		44-0712		
2	Cover 5/8" Hose 3/8 MNPT	1	44-1380 44-1380-1	44-1330 44-1330-1	44-6521 44-6521-1	44-6232 44-6232-1
3	Cover "O"-ring FKM EPDM PTFE	1*		44-0726 44-0606 44-0727		
4	Stud, 10-24x3-1/8" SS	4		77-0426-A		
5	Impeller 60Hz (ø2-9/16") 50Hz (ø2-23/32")	1	44-1356 44-1355-A	44-1334 44-1335-A	44-1356 44-1355-A	
6	Bearing disc PTFE	1*		44-1339		
7	Pump body 5/8" Hose 3/8 MNPT	1	44-1376 44-1376-1	44-1326 44-1326-1	44-6522 44-6522-1	44-6233-A 44-6233-1
8	Driver magnet	1		44-0707		
9	Nut, hex 10-24 SS	4		11-0139		
10	Pump body spacer SS	1	-	-	-	44-1332
11	Nut, hex 8-32 SS	2		11-0137		
12	Mounting bracket	1		44-0716-F		
13	Motor 1/12hp 110/1/60 1/15hp 240/1/50	1		44-0715-A 44-0715-D		

\* Recommended spare parts

Pump end only, without motor	1	44-1382	44-1322	44-6523	44-6524
------------------------------	---	---------	---------	---------	---------

Product Bulletin:	P-503
Operation and Service Guide:	O-0010