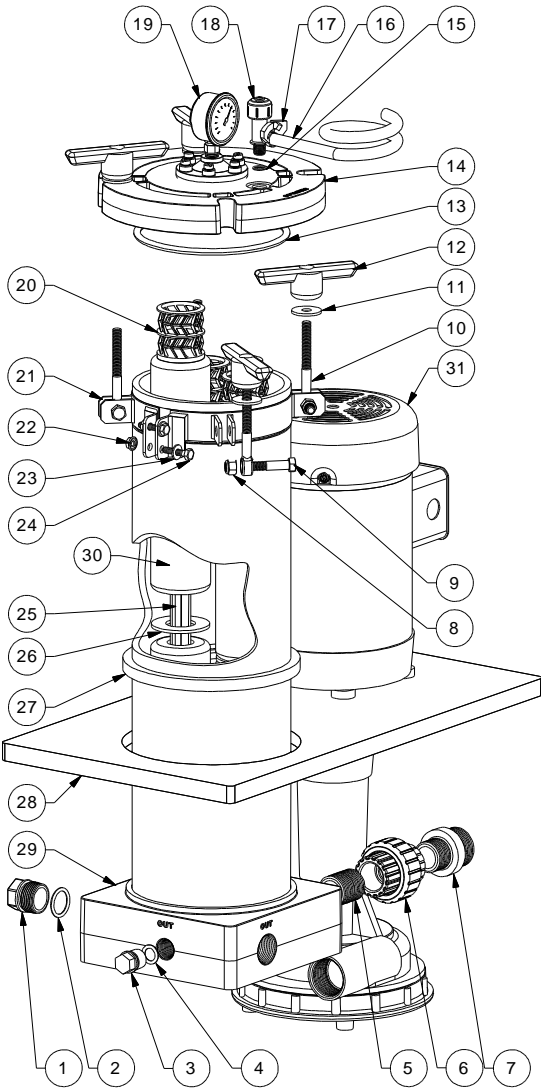


ADMIRAL 'EOS' FILTRATION SYSTEM



NO.	DESCRIPTION	QTY	CPVC	PP	PVDF
1	PLUG 1NPT	1	33-0212	33-0212 PP	33-0212 K
2	"O"-ring FKM	1		22-0604	
	EPDM	1		22-0605	
3	PLUG 1/2NPT	1	33-0866	33-0866 PP	33-0866 K
4	"O"-ring FKM	1		22-0568	
	EPDM	1		22-0569	
5	Close nipple 1NPT	2	33-1011	33-1011 PP	33-1011 K
6	UNION 1NPT	1	33-0295	33-0295 PP	33-0295 K
7	Nipple red. (1 1/4x1)NPT	1	33-1899 C	33-1899 PP	33-1899 K
8	NUT 3/8-16 SS	4		11-0519	
9	BOLT 3/8-16x1 1/2" SS	4		11-0444 1	
10	BOLT Swing 3/8-16x3 1/2" SS	4		11-0497 1	
11	WASHER 3/8 SS	4		11-0447	
12	Tee handle PP	4		11-0265	
13	"O"-ring FKM	1	22-0360		22-0565
	EPDM	1	22-0365		22-0199
14	Cover	1	88-0387	88-2785	88-1339
15	O-ring vent valve/plug EPDM	1		22-0870	
	FKM			22-0870 V	
16	HOSE vent valve ø5/16" PVC	8'		22-0913	
17	CLAMP hose	1		22-0912	
18	Vent valve FKM	1	33-8108 PP		
	Vent plug assembly FKM				88-2822
	EPDM				88-2833
19	Gauge guard	1		99-0732 D	
20	Cap Cartridge press-down	3	77-0844		77-1591-K
21	BRACKET swing bolt SS	1		88-0596	
22	NUT Whiz lock 1/4"-20 SS	2		11-0103	
23	WASHER 1/4 SS	2		11-0121	
24	BOLT 1/4-20x1 1/4 SS	2		11-0390	
25	Cross post 60(2)	3	88-0350 4	88-0350 4PP	88-1612 K
	90(3)		88-0351 4	88-0351 4PP	88-1613 K
	120(4)		88-0352 4	88-0352 4PP	88-1614 K
26	Cartridge spacer FKM			22-0204	
	EPDM			22-0218	
27	Snap ring	1	88-1537	88-1537 1PP	88-1537 K
28	Mounting plate 0.3hp, 0.75hp EO1	1	39-8000 2P	39-8000 2PP	39-8000 2K
	1hp, 1.5hp EO1		39-8007 2P	39-8007 2PP	39-8007 2K
	1hp, 1.5hp EO1 1/4		39-8001 2P	39-8001 2PP	39-8001 2K
29	SHELL / BASE 60(2)	1	88-1125 1	88-2793 1	88-2881 1
	90(3)		88-1126 2	88-2794 2	88-2882 1
	120(4)		88-1127 1	88-2795 1	88-2883 1
30	Filter media	see: M-109			
31	EO1 Pump parts	see: P-8990			
	EO1 1/4 Pump parts	see: P-8985			

Product Bulletin:	F-510
Operation and Service Guide (pump):	O-0908
Operation and Service Guide (chamber):	O-0886