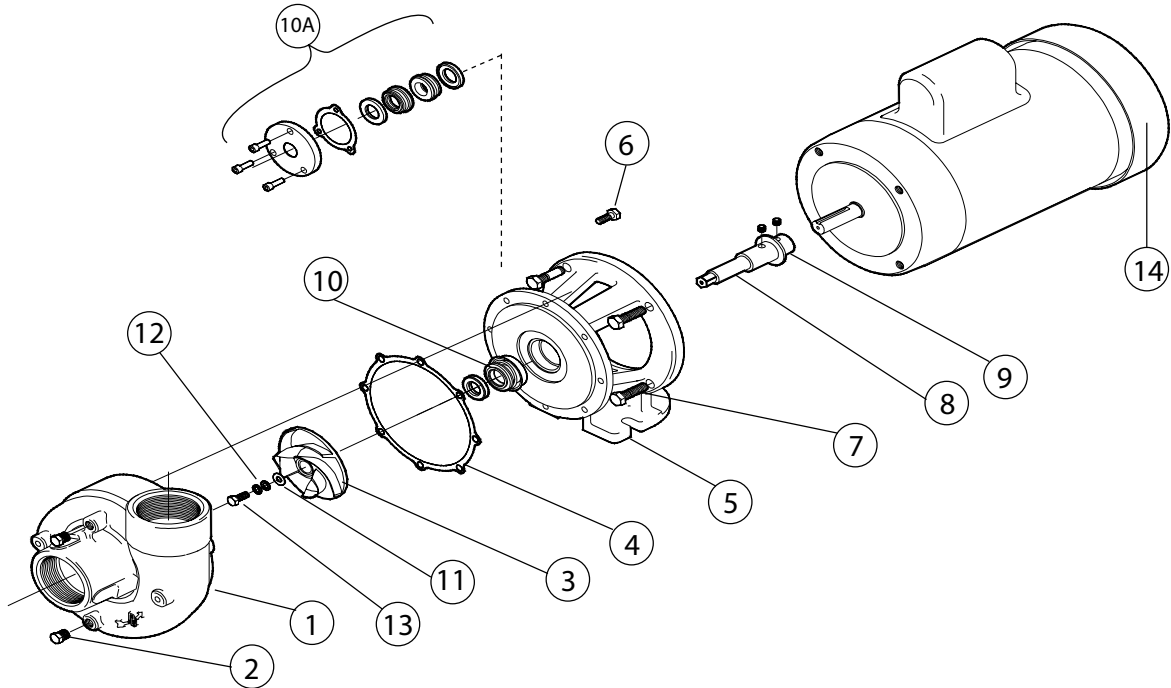




# SERIES 'RC' HORIZONTAL PUMPS

Refer to Bulletin P-109,  
Operating and Service Guide O-2530 and  
Master Price List.



ITEM	DESCRIPTION	MODELS	
		RC 200	RC 300
1	Volute	61-0600	62-0600
2	Pipe Plug, 1/8" steel(2req'd)	33-8084	
3 *	Impeller, (Hexbore) - For single mechanical seal Diameter 2-1/2, curve #1 # 3, curve #2 # 3-1/2, curve #3 # 4-1/16, curve #4 # 3,-1/2, curve #5 # 4, curve #6 # 4-1/2, curve #7 # 4-5/8, curve #8 - For doube mechanical seal, add -2 to Part Nos.	61-0611 61-0612 61-0613 61-0614 — — — —	— — — — 62-0611 62-0612 62-0 613 62-0614
4	Gasket, - synthetic fiber	61-0407	
5	Bracket, - footed - footless	61-0406 61-0406-2 61-0409 61-0409-2	

\* For pumps manufactured before 2007 item 8 shaft (Hex) req'd.

**Cont'd**

ITEM	DESCRIPTION	MODELS	
		RC 200	RC 300
6	Hex head bolt, 1/4" -20 x 5/8" long (8 req'd)	11-2183	
7	Hex head bolt, 3/8" -16 x 1" long (4 req'd)	11-0375	
8	Shaft w/ setscrew 316SS 5/8" (Hex) 7/8"	61-0260 61-0261	
9	Slinger	61-0228	
10	Single Seal M2 Seal - Viton M1 Seal - EPR	55-0498-1 55-0478-1	
10A	Double Seal M2 x M1 seal - Viton (2 req'd) M1 x M1 seal - EPR (2 req'd) Double Seal Plate gasket - Teflon Plate screw, 8-3/2 x 5/8"	61-0229 61-0230 61-0231 61-0232 61-0251	
11	Flat washer, 1/4"	11-0121	
12	Lock washer (2 req'd)	61-0262	
13	Hex head bolt, 1/4"-20 x 3/4" - 316SS	11-0419-1	
14	<b>MOTORS - Consult Application Engineering Department</b>		

MOTORS	1/2 HP	3/4 HP	1 HP	1 1/2 HP	2 HP	3 HP	5 HP	7 1/2 HP
NEMA 56C, 3450 RPM				-	-	-	-	-
TEFC, 115/230/1/60	66-2593	66-2600	66-2603	-	-	-	-	-
EXP, 115/230/1/60	66-1280	66-1282	66-1284	-	-	-	-	-
TEFC, 230/460/3/60	66-2594	66-2601	66-2604	-	-	-	-	-
TEFC 575/3/60	66-2594-575	44-7123	44-7125	-	-	-	-	-
EXP, 208-230/460/3/60	66-1281	66-1324	66-1285	-	-	-	-	-
NEMA 145TC, 3450 RPM								
TEFC, 230/460/3/60	-	-	-	44-7398	44-7130	44-7133	66-1018-3	66-1017-1
TEFC, 575/3/60	-	-	-	44-7128	44-7131	44-7134	-	-
EXP, 208-230/460/3/60	-	-	-	66-1286	66-1289	66-1346	-	-

