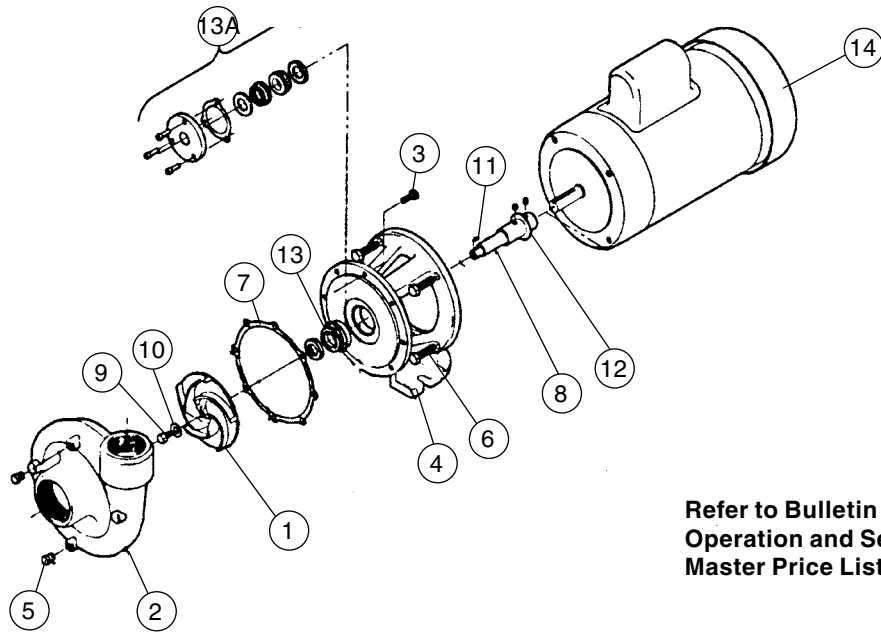


SERIES 'HCI' HORIZONTAL PUMPS

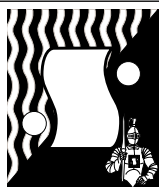


Refer to Bulletin P-108,
Operation and Service Guide O-2520
Master Price List F-800.

ITEM	DESCRIPTION	MODELS	
		HCI 1	HCI 1½
1	Impeller, For single mechanical seal Diameter 3.62, curve #1 " 4.00, curve #2 " 4.25, curve #3 " 4.50, curve #4 " 4.94, curve #5 " 3.62, curve #6 " 4.25, curve #7 " 4.50, curve #8 " 4.94, curve #9 For double mechanical seal, add -2 to part numbers	61-0401 61-0402 61-0403 61-0404 61-0405 - - - -	- - - - - 62-0401 62-0402 62-0403 62-0404
2	Volute	61-0400	62-0400
3	Hex head bolt 1/4"-20 x 5/8" (4 req'd)	11-2183	
4	Bracket, single seal pump double seal pump	61-0406 61-0406 2	
5	Pipe plugs, 1/8" - steel (2 req'd)	33-8084	
6	Hex head bolt 3/8"-16 x 1" (4 req'd)	11-0375	
7	Gasket - synthetic fiber O-Ring - EPDM - VITON	61-0407 - -	- 22-0819 22-0820
8	Shaft w/set screw, - 316SS 5/8" dia. 7/8" dia.	61-0249 61-0250	
9	Hex head bolt, 1/4"-20 x 1/2" -316SS	11-2150	
10	Flat washer 1/4" - 316SS Lock washer 1/4"	11-0121 11-0322	
11	Lock down key	61-0253	
12	Slinger	61-0228	

ITEM	DESCRIPTION	MODELS	
		HCI 1	HCI 1½
13	Single seal V(M2) - Viton (316SS, carbon, ceramic) L(M1) - EPDM (316SS, carbon, ceramic) L(M8) - EPDM (316SS, silicon carbide) V(M8) - Viton (316SS, silicon carbide)	55-0498 1 55-0478 1 55-0595 55-0596	
13A	Double seal L(M1 x M1) - EPDM (carbon, ceramic) V (M2 x M1) - Viton (carbon, ceramic) L(M8 x M1) - EPDM (316SS, silicon carbide) V(M8 x M1) - Viton (316SS, silicon carbide) EPDM (316SS silicon carbide, Ni-resist seat) Double seal plate Plate gasket - Teflon Screw, 8-32 x 1/2" socket head cap -316SS	55-0630 55-0631 55-0597 55-0598 55-0632 61-0231 61-0232 61-0224	
14	Motors - Select as needed (see below)		

MOTORS	¾ HP	1 HP	1½ HP	2 HP	3 HP
NEMA 56C, 3450/2850 RPM					
TEFC, 115/230/1/50-60	66-2600	66-2603	-	-	-
EXP, 115/230/1/60	66-1282	66-1284	-	-	-
TEFC, 230/460/3/50-60	66-2601	66-2604	-	-	-
TEFC, 575/3/60	44-7123	44-7125	-	-	-
EXP, 208-230/460/3/60	66-1324	66-1285	-	-	-
NEMA 145TC, 3450/2850 RPM					
TEFC, 230/460/3/50-60	-	-	44-7398	44-7130	44-7133
TEFC, 575/3/60	-	-	44-7128	44-7131	44-7134
EXP, 208-230/460/3/60	-	-	66-1286	66-1289	66-1346



SERFILCO[®], LTD.

2900 MacArthur Blvd. 847-509-2900
 Northbrook, IL 60062-2005 U.S.A. 800-323-5431
 e-mail: sales@serfilco.com FAX: 847-559-1995
 www.serfilco.com