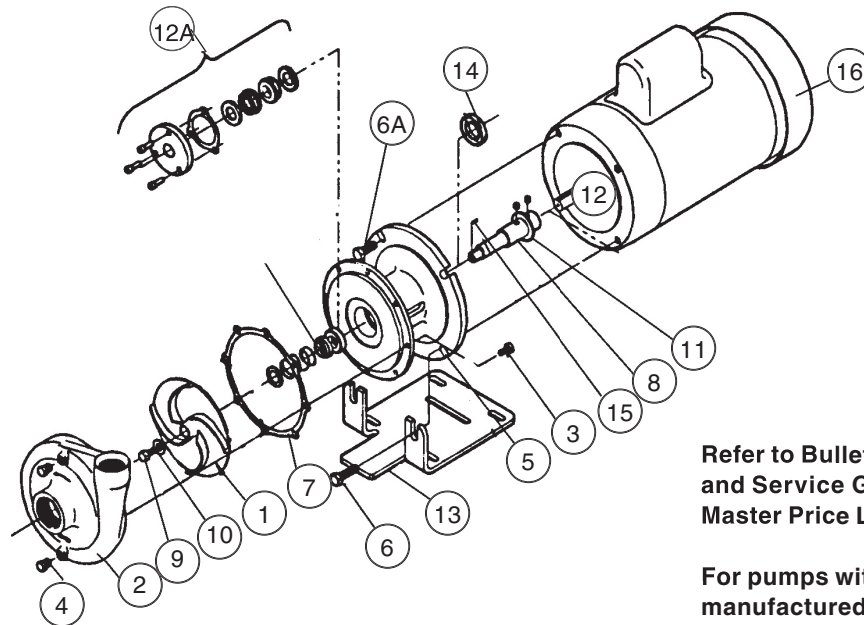


SERIES 'HSS' HORIZONTAL 316SS PUMPS

PARTS LIST
P-2255G
MARCH 2006



Refer to Bulletin P-108, Operation and Service Guide O-2520 and Master Price List F-800.

For pumps with threaded impellers, manufactured before Jan. 1, 1995 refer to Parts List P-2250.

ITEM	DESCRIPTION	MODELS	
		HSS 1	HSS 1½
1	Impeller, For single mechanical seal Diameter 3.62, curve #1 " 4.00, curve #2 " 4.25, curve #3 " 4.50, curve #4 " 4.94, curve #5 " 3.62, curve #6 " 4.25, curve #7 " 4.50, curve #8 " 4.94, curve #9 For double mechanical seal, add -2 to part numbers	61-0235 61-0236 61-0237 61-0238 61-0239 - - -	- - - - - 62-0217 62-0219 62-0220 62-0221
2	Volute	61-0200	62-0222
3	Volute bolts ¼"-20 x ½" hex head - 316SS (8 req'd)	11-2150	
4	Pipe plugs, 1/8" - 316SS (2 req'd)	33-6060	
5	Bracket, single seal pump double seal pump	61-0226 61-0226 1	
6 6A	Motor bolts, lower, 3/8"-16 x 1¼" - stainless steel (2 req'd) upper, 3/8"-16 x 7/8" - stainless steel (2 req'd)	11-0372 11-2151	
7	Gasket - Teflon (standard) "O"-ring - Viton (standard) - EPDM (optional)	61-0217 - -	- 22-0820 22-0819
8	Shaft w/setscrew, 5/8" dia. 7/8" dia.	61-0249 61-0250	
9	Lockscrew, ¼"-20 x ½" hex head - 316SS	11-2150	
10	Lockscrew washer, flat - 316SS	11-0121	
11	Slinger	61-0228	

ITEM	DESCRIPTION	MODELS	
		HSS 1	HSS 1½
12	Single seal L(M1) - EPDM, Carbon, Ceramic V(M2) - Viton, Carbon, Ceramic L(M8) - EPDM, Silicon Carbide V(M8) - Viton, Silicon Carbide	55-0478 1 55-0498 1 55-0595 55-0596	
12A	Double seal and seat (optional) L(M1 x M1) - EPDM/EPDM (carbon, ceramic) V(M2 x M1) - Viton/EPDM (carbon, ceramic) L(M8 x M1) - EPDM/EPDM, Silicon Carbide V(M8 x M1) - Viton/EDPM, Silicon Carbide EPDM (316SS, Silicon Carbide, Ni-Resist seat) Double seal plate Plate gasket - Teflon Screw, 8-32 x 1/2" socket head cap -316SS	55-0630 55-0631 55-0597 55-0598 55-0632 61-0231 61-0232 61-0224	
13	Base - SS	61-0233	
14	Lip seal, for 5/8" ID shafts only -Viton	61-0252	
15	Lockdown key	61-0253	
16	MOTORS - Select as Needed (See Table Below)		

MOTORS	¾ HP	1 HP	1½ HP	2 HP	3 HP
NEMA 56C, 3450/2850 RPM					
TEFC, 115/230/1/50-60	66-2600	66-2603	-	-	-
EXP, 115/230/1/60	66-1282	66-1284	-	-	-
TEFC, 230/460/3/50-60	66-2601	66-2604	-	-	-
TEFC, 575/3/60	44-7123	44-7125	-	-	-
EXP, 208-230/460/3/60	66-1324	66-1285	-	-	-
NEMA 145TC, 3450/2850 RPM					
TEFC, 230/460/3/50-60	-	-	44-7398	44-7130	44-7133
TEFC, 575/3/60	-	-	44-7128	44-7131	44-7134
EXP, 208-230/460/3/60	-	-	66-1286	66-1289	66-1346



SERFILCO[®], LTD.

2900 MacArthur Blvd. 847-509-2900
 Northbrook, IL 60062-2005 U.S.A. 800-323-5431
 e-mail: sales@serfilco.com FAX: 847-559-1995
 www.serfilco.com