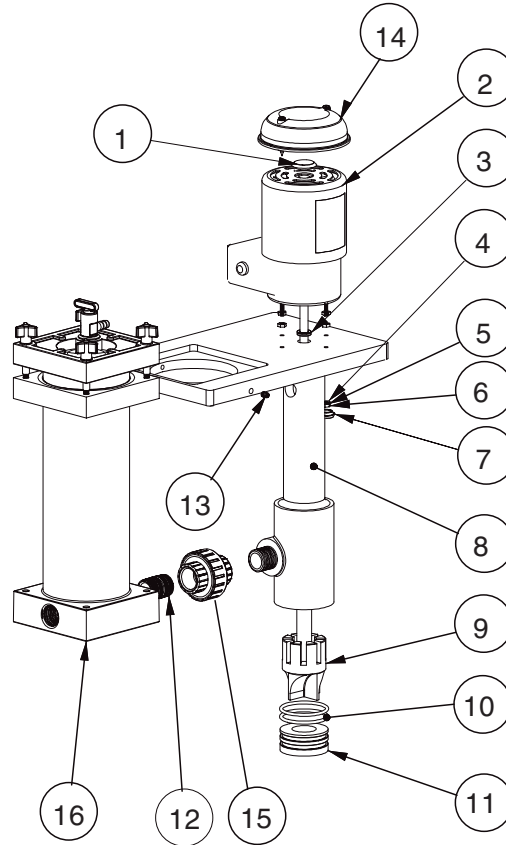




ADMIRAL 'EL' FILTRATION SYSTEMS

PARTS LIST
P-2180
MAY 2000



Refer to Bulletin F-511, Operation and Service Guide O-925 and Master Price List F-800.

ITEM	DESCRIPTION	PVC (PL)	CPVC (CL)	PP (PPL)	PVDF (KL)
		PART NUMBER			
1	Cap, polyethylene	33-1660			
2	Motor and shaft assembly 1/8 HP, 115-230V/1/50-60	44-0715H			
3	Vapor seal - Mounts in pump mounting plate	55-0593			
4	Flat washer - stainless steel (4 required)	11-0279			
5	Lockwasher - stainless steel (4 required)	11-0278			
6	Hex nut 8-32 - stainless steel (8 required)	11-0137			
7	Cap - black polyethylene (4 required)	33-1688			
8	Column assembly	44-6125 6		44-3244 4	44-6125 F
9	Impeller and sleeve assembly	44-6124 1		44-3240 1	44-6124 1A
10	"O"-ring (2 required) - Viton®	22-0748			
11	Suction casing cover	44-6121		44-3245	44-6121 A
12	Close nipple	33-1005		33-1005 PP	33-1005 K
13	Set screw (3 req'd)	11-0505			
14	Drip cover kit (optional)	44-7360			
15	Threaded union	33-0294		33-0294 PP	33-0294 K
16	'L' Chamber assembly (CCV10-3/4)				
	10"	78-1268 ACV	78-0240 ACV	78-0287 ACV	78-0467 ACV
	20"	78-1269 ACV	78-0241 ACV	78-0288 ACV	78-0468 ACV
	30"	78-1270 ACV	78-0242 ACV	78-0289 ACV	78-0469 ACV

F.O.B. Northbrook, Illinois

Terms: Net 30 Days

Minimum order \$25.00



SERFILCO[®], LTD.

2900 MacArthur Blvd. 847-509-2900
Northbrook, IL 60062-2005 U.S.A. 800-323-5431
e-mail: sales@serfilco.com FAX: 847-559-1995
www.serfilco.com

WESTERN

13721 Alma Avenue 310-532-0801
Gardena, CA 90249-2513 FAX: 310-532-0866