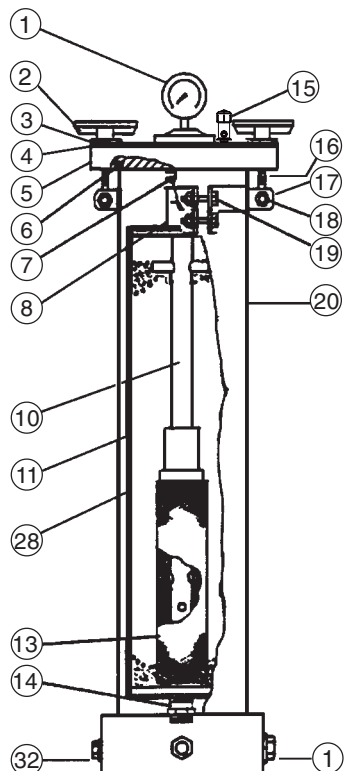
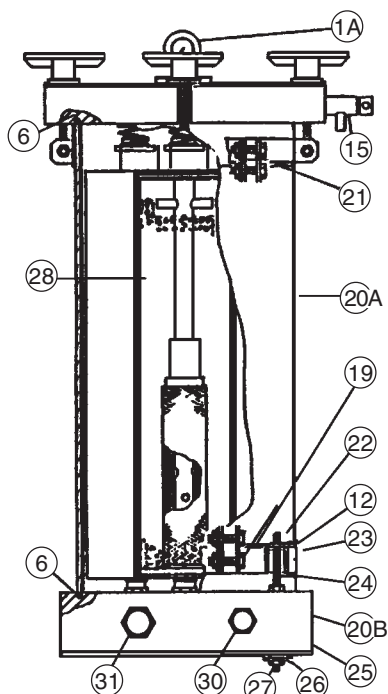


# RESIN RECLAMATION CHAMBERS WITH CANISTER

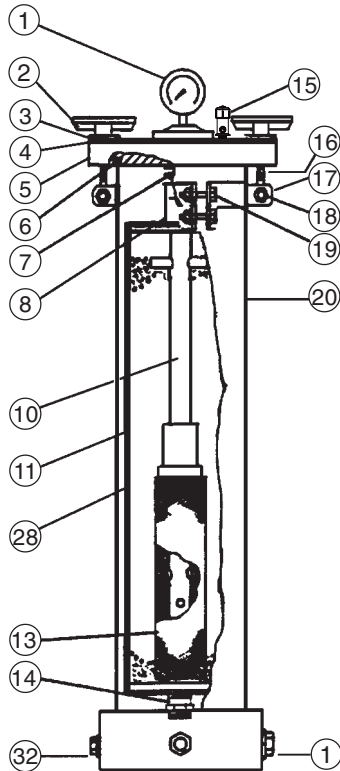


MODEL	PRICE CODE NO.
PL630RCS1-G3	78-1617

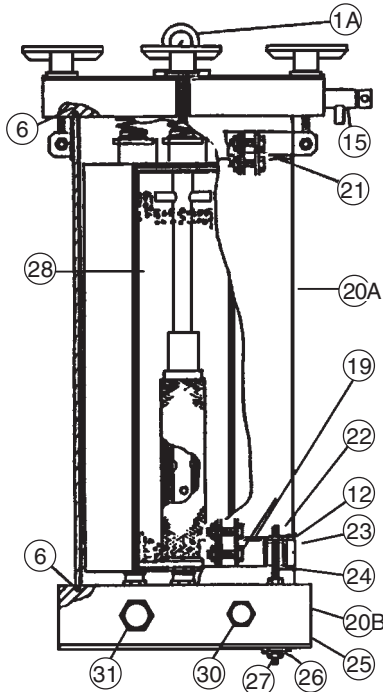


MODEL	PRICE CODE NO.
PL1230RCS1½-G3A	78-1618
PL1250RCS1½-G3A	78-1619

ITEM	DESCRIPTION	PART NUMBERS		
		PL630	PL1230	PL1250
		<b>PART NUMBERS</b>		
1	Gauge guard assembly (G-3)	99-0732		
2	Tee handle, 3/8"-16 - polypropylene (4 req'd) 1/2"-13 - polypropylene (6 req'd)	11-0265	-	11-0266
3	Flat washer, 3/8" size - stainless steel (4 req'd) 1/2" size - stainless steel (6 req'd)	11-0447	-	11-0619
4	Cover plate - FRP (optional) - FRP (standard)	88-0597	-	99-0303
5	Cover - molded CPVC	88-0387	88-2683	
6	"O"-ring - EPDM - Viton (optional) Flat gasket, cover & base - EPDM - Viton (optional)	22-0365 22-0360	-	22-0667 22-0668
7	Spring - vinyl coated	77-0301 1		
8	Canister hold-down cap & cover assembly - w/Saran screen - Saran screen only	88-2781 88-1099A		
10	Stand pipe assembly - CPVC	88-1440 2	88-1442 2	
11	Canister shell & base assembly - PVC	88-2777 2	88-2778 2	
12	Flat washer, 1/2" - stainless steel (4 req'd)	-	11-0711	
13	Filter cartridge	SF-030U4U		
14	Canister guide, incl'd in item 20 for PL630 - CPVC - EPDM "O"-rings - EPDM "O"-rings - Viton "O"-rings (optional) - Viton "O"-rings (optional)	88-1139 22-0569 22-0570 22-0568 22-0563		
15	Vent valve	33-8108 PP	33-0051	
15A	"O"-ring - EPDM (standard) - Viton (optional)	22-0870 22-0870V	-	
16	Swing bolt - stainless steel 3/8"-16 x 3-1/2" (4 req'd) 1/2"-13 x 5-3/4" (6 req'd)	11-0497 1	-	
17	Swing bolt bracket - vinyl coated steel - 316 SS	88-0596	-	
18	Hex head bolt - stainless steel 3/8"-16 x 1-1/2" (4 req'd) 3/8"-16 x 1-1/2" (6 req'd) Locknut - stainless steel nylon insert 3/8"-16 (4 req'd) 3/8"-16 (6 req'd) Flat washer, 3/8" - stainless steel (12 req'd)	11-0444 1 -	-	
19	Hex head bolt - stainless steel 1/4"-20 x 1-1/4" (2 req'd) 3/8"-16 x 1-3/4" (4 req'd) Flat washer - stainless steel 1/4" size (2 req'd) 3/8" size (8 req'd) Lockwasher - stainless steel 3/8" size (4 req'd) Whiz lock nut - stainless steel 1/4"-20 (2 req'd) Hex nut - stainless steel 3/8"-16 (4 req'd)	11-0390 -	-	
		11-0121	-	
		-	11-0126	
		-	11-0140	
		11-0103	-	
		-	11-0105	



MODEL	PRICE CODE NO.
PL630RCS1-G3	78-1617



MODEL	PRICE CODE NO.
PL1230RCS1½-G3A	78-1618
PL1250RCS1½-G3A	78-1619

ITEM	DESCRIPTION	PART NUMBERS		
		PL630	PL1230	PL1250
		<b>PART NUMBERS</b>		
20	Shell & base ass'y- CPVC base (plugs not incl'd) w/CPVC shell - EPDM w/PVC shell - EPDM w/CPVC shell - Viton w/CPVC shell - Viton	99-0732		
		88-0896	-	-
		88-0896 1	-	-
		88-0896 V	-	-
		88-0896 1V	-	-
20A	Shell, fiberglass w/vinyl liner Shell - PVC - CPVC	-	77-0830 2	77-0832 2
		-	77-0569 2	77-0569 4
		-	77-0017 2	77-0017 4
20B	Base - CPVC (plugs not included)	-	88-0980 2	
21	Vinyl liner (incl'd in Item 20A for fiberglass shell)	-	99-0205	99-0207
22	Hex nut, 1/2"-13 - stainless steel	-	11-0106	
23	Hold-down bracket - 316SS	-	77-0795 1	
24	Tie rod, 1/2"-13 x 7-1/2"	-	77-0758	
25	Bottom support plate - FRP	-	77-0811	
26	Flat washer, 1/2" size - stainless steel (4 req'd)	-	11-0124	
27	Lockwasher, 1/2" size - stainless steel (4 req'd)	-	11-0343	
28	Canister assembly - PVC (includes items 8, 10, 11, 13)	88-2779 2		88-2780 2
29	Resin, see Bulletin R-208			
30	Plug, 3/4" NPT - CPVC - EPDM - Viton "O"-ring (optional)	-	33-0211	
		-	22-0570	
		-	22-0563	
31	Plug, 1-1/2" NPT - CPVC (2 req'd) - EPDM - Viton "O"-ring (optional)	-	33-0868	
		-	33-0573	
		-	22-0296	
32	Plug, 1-1/2" NPT - CPVC - EPDM - Viton "O"-ring (optional)	33-0866	-	
		22-0569	-	
		22-0568	-	
33	Plug, 1" NPT - CPVC - EPDM - Viton "O"-ring (optional)	33-0210	-	
		22-0605	-	
		22-0604	-	
34	Vent valve hose, 8'	22-0913	22-0444	
34A	Hose clamp	22-0912	22-0911	

F.O.B. Northbrook, Illinois

Terms: Net 30 Days

Minimum order \$25.00



**SERFILCO® LTD.**

2900 MacArthur Blvd. 847-509-2900  
Northbrook, IL 60062-2005 U.S.A. 800-323-5431  
e-mail: sales@serfilco.com FAX: 847-559-1995  
www.serfilco.com

*WESTERN*

13721 Alma Avenue 310-532-0801  
Gardena, CA 90249-2513 FAX: 310-532-0866