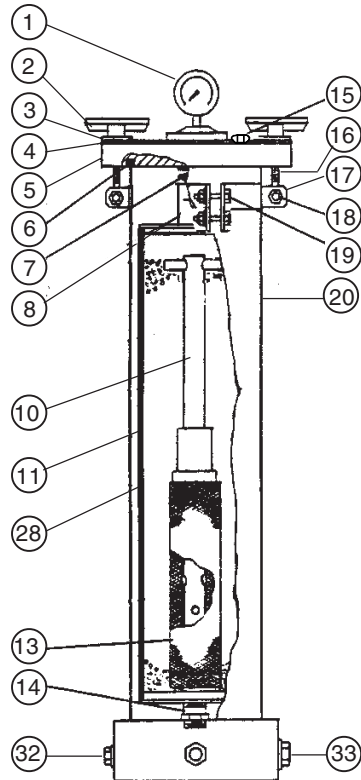


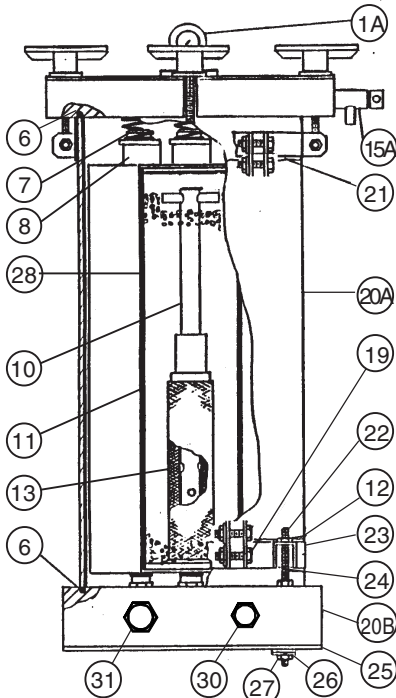
CARBON PURIFICATION CHAMBERS WITH CANISTER FOR CARBON



Refer to Bulletin R-102-1, Operation and Service Guide O-240 and Master Price List F-800.



MODEL	PRICE CODE NO.
CL1(528P)CCS 1-G3	78-1427C
PL1(528P)CCS 1-G3	78-1427

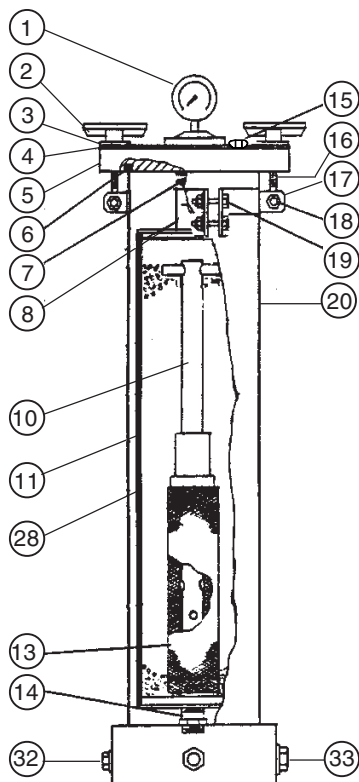


MODEL	PRICE CODE NO.
CVL3(528P)CCS1½-G3A	0396
CVL3(548P)CCS1½-G3A	0412A
CL3(528P)CCS 1½-G3A	78-1428C
CL3(548P)CCS 1½-G3A	78-1429C
PL3(528P)CCS 1½-G3A	78-1428
PL3(548P)CCS 1½-G3A	78-1429

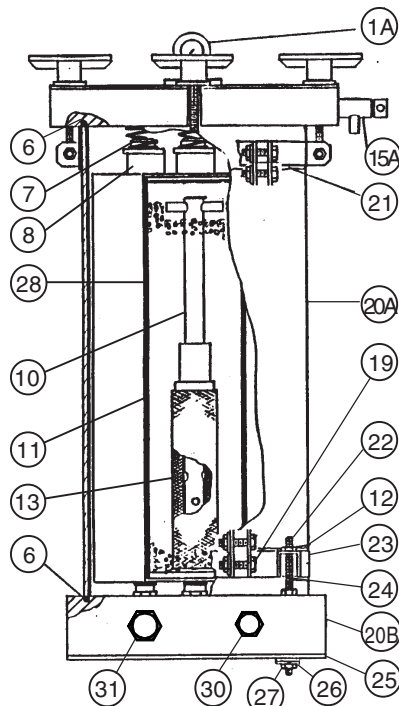
ITEM	DESCRIPTION	MODEL		
		1(528P)	3(528P)	3(548P)
		PART NUMBERS		
1	Gauge guard assembly (G-3)	99-0732	-	
1A	Gauge guard assembly (G-3A)-(Includes CPVC vent valve assembly, Item 15A) Refer to Parts List P-2300-1.	-	99-0732B	
2	Tee handle - polypropylene 3/8"-16 (4 req'd) 1/2"-13 (6 req'd)	11-0265 -	- 11-0266	
3	Flat washer 3/8" size - stainless steel (4 req'd) 1/2" size - stainless steel (6 req'd)	11-0477 -	- 11-0619	
4	Cover plate - FRP (optional) - FRP (standard)	88-0597 -	- 99-0303	
5	Cover ass'y - molded CPVC w/ EPDM 'O'-ring & vent plug w/EPDM 'O'-ring w/Viton "O"-ring & vent plug w/Viton "O"-ring (optional) w/EPDM flat gasket w/Viton gasket	88-2699 88-2700 - -	- - 88-0977-1 88-0977-3	
6 ¹	'O'-ring - EPDM - Viton (optional) Flat gasket, cover & base - EPDM - Viton (optional)	22-0365 22-0360 - -	- - 22-0667 22-0668	
7 ¹	Spring - vinyl coated	77-0301-1		
8 ²	Canister hold-down cap & cover assembly w/Saran screen Saran screen only	88-2781 88-0199A		
10 ²	Stand pipe assembly - CPVC	88-1440	88-1442	
11 ²	Canister shell & base assembly - PVC	88-2777	88-2778	
12	Flat washer, 1/2" - stainless steel (4 req'd)	-	11-0711	
13 ¹	Filter cartridge	SF-03U10U		SF-03U20U
14	Canister guide - CPVC - EPDM 'O'-rings (2 req'd) - Viton "O"-rings (optional)	88-1139 22-0570 22-0563		
15	Vent plug assembly, (included in Item 5) w/ EPDM "O"-ring w/Viton "O"-ring	88-1282A 88-1282B	- -	
15A	Vent valve - CPVC (included in Item 1A)	-	33-0051	
16	Swing bolt - stn. steel 3/8"-16 x 3-1/2" (4 req'd) 1/2"-13 x 5-3/4" (6 req'd)	11-0497-1 -	- 11-0474-1	
17	Swing bolt bracket - vinyl coated steel - 316 SS	88-0596 -	- 77-0788	
18	Hex head bolt - stainless steel 3/8"-16 x 1-1/2" (4 req'd) 3/8"-16 x 1-1/2" (6 req'd) Locknut - stainless steel nylon insert, 3/8"-16 (4 req'd) 3/8"-16 (6 req'd) Flat washer, 3/8" - stainless steel (12 req'd)	11-0444-1 - 11-0519 - -	- 11-0444-1 - 11-0519 11-0126	

¹ Recommended spare parts.

² NOTE: For chambers manufactured prior to 9-1-85, order items #7 (spring), #14 (canister guide w/"O"-rings) and #28 (canister assembly)



MODEL	PRICE CODE NO.
CL1(528P)CCS 1-G3	78-1427C
PL1(528P)CCS 1-G3	78-1427



MODEL	PRICE CODE NO.
CVL3(528P)CCS1 1/2-G3A	0396
CVL3(548P)CCS1 1/2-G3A	0412A
CL3(528P)CCS 1 1/2-G3A	78-1428C
CL3(548P)CCS 1 1/2-G3A	78-1429C
PL3(528P)CCS 1 1/2-G3A	78-1428
PL3(548P)CCS 1 1/2-G3A	78-1429

ITEM	DESCRIPTION	MODEL		
		1(528P)	3(528P)	3(548P)
		PART NUMBERS		
19	Hex head bolt, stn. stl. 1/4"-20 x 1-1/4" (2 req'd)	11-0390	-	
	3/8"-16 x 1-3/4" (4 req'd)	-	11-0374	
	Flat washer, stn. stl. 1/4" size (2 req'd)	11-0121	-	
	3/8" size (8 req'd)	-	11-0126	
Lockwasher stn. stl. 1/4" size (2 req'd)		11-0322	-	
	3/8" size (4 req'd)	-	11-0140	
Hex nut, stn. stl. 1/4"-20 (2 req'd)		11-0107	-	
	3/8"-16 (4 req'd)	-	11-0105	
20	Shell & base assembly - CPVC base (plugs not incl'd)			
	w/CPVC shell	88-0896	-	
	w/PVC shell	88-0896-1	-	
20A	Shell, fiberglass w/vinyl liner	-	77-0830-2	77-0832-2
	Shell - PVC	-	77-0569-2	77-0569-4
	- CPVC	-	77-0017-2	77-0017-4
20B	Base assembly - CPVC (plugs not included)	-	88-0980-2	
21	Vinyl liner (included in Item 20A for fiberglass shell)	-	99-0205	99-0207
22	Hex nut, 1/2"-13 - stainless steel (12 req'd)	-	11-0106	
23	Hold-down bracket, -316SS	-	77-0795-1	
24	Tie rod, 1/2" -13 x 7-1/2" - stainless steel (4 req'd)	-	77-0758	
25	Bottom support plate - FRP	-	77-0811	
26	Flat washer, 1/2" size - stainless steel (4 req'd)	-	11-0124	
27	Lockwasher, 1/2" size - stainless steel (4 req'd)	-	11-0343	
28 ²	Canister ass'y - PVC (includes Items 8, 10, 11, 13)	88-2779		88-2780
29 ¹	Carbon, see chart below			
30	Plug, 3/4" NPT - CPVC	-	33-0211	
	- EPDM "O"-ring	-	22-0570	
	- Viton "O"-ring (optional)	-	22-0563	
31	Plug, 1-1/2" NPT - CPVC (2 req'd)	-	33-0868	
	- EPDM "O"-ring	-	22-0573	
	- Viton "O"-ring (optional)	-	22-0296	
32	Plug, 1/2" NPT - CPVC	33-0866	-	
	- EPDM "O"-ring	22-0569	-	
	- Viton "O"-ring (optional)	22-0568	-	
33	Plug, 1" NPT - CPVC	33-0212	-	
	- EPDM "O"-ring	22-0605	-	
	- Viton "O"-ring (optional)	22-0604	-	

¹ Recommended spare parts.

² NOTE: For chambers manufactured prior to 9-1-85, order items #7 (spring), #14 (canister guide w/"O"-rings) and #28 (canister assembly)

GRANULAR ACTIVATED CARBON		
10 or 50 lb. drums only		
8 x 30 Mesh	LBS	P/C NO.
99.5% Sulfur Free (Standard)	10	99-0992
	50	99-0995
12 x 30 Mesh Sulfur Free (Acid Washed)	10	99-0993
	50	99-0996

F.O.B. Northbrook, Illinois

Terms: Net 30 Days

Minimum order \$25.00

SERFILCO, LTD.

2900 MacArthur Blvd. 847-509-2900
Northbrook, IL 60062-2005 U.S.A. 800-323-5431
e-mail: sales@serfilco.com FAX: 847-559-1995
www.serfilco.com

WESTERN
213-588-0801
FAX: 213-588-6826