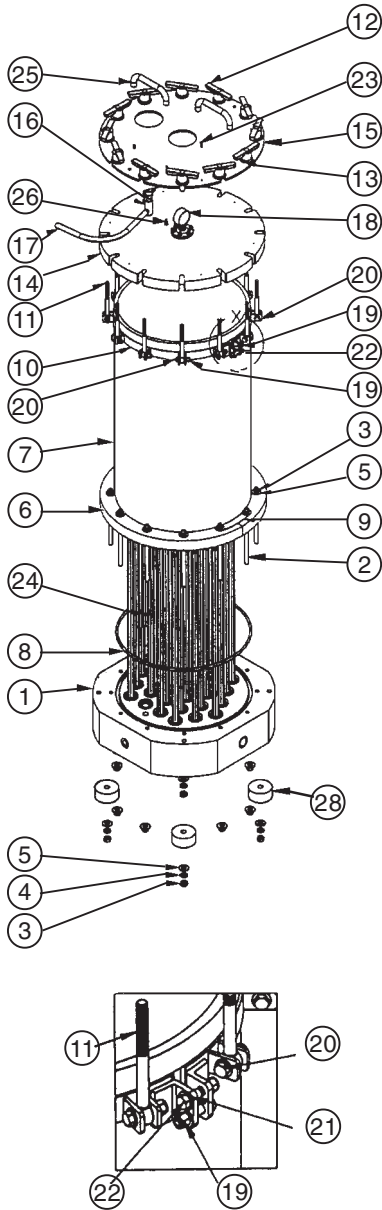




SERIES 'HF' CHAMBER

MODEL	PRICE CODE NO.
PL520(2)SH-3-G3A	78-1662
PL780(3)SH-3-G3A	78-1663
PL1040(4)SH-3-G3A	78-1664
PL1300(5)SH-3-G3A	78-1665

Refer to Bulletin C-112.



ITEM	DESCRIPTION	QTY.	MODELS			
			PL520	PL780	PL1040	PL1300
			PART NUMBERS			
1	Base - PVC	1	88-3424 P			
2	Stud, 1/2"-13 x 9" long - stainless steel	12	77-0790			
3	Nut, hex head 1/2"-13- stainless steel	24	11-0106			
4	Lock washer, 1/2" - stainless steel	12	11-0343			
5	Washer, 1/2" - stainless steel	24	11-0124			
6	Bracket - PVC	1	88-3387 P			
7	Shell - PVC	1	88-3405 2P	88-3405 3P	88-3405 4P	88-3405 5P
8	"O"-ring - EPDM (standard) - Viton (optional)	2	22-0890 22-0890V			
9	Latch - 316 stainless steel	1	88-3394			
10	Bracket, swing bolt - 316 SS	1	88-3393			
11	Swing bolt, 1/2"-13 x 5 1/2" long - stainless steel	12	11-0474 1			
12	Tee handle, - polypropylene	12	11-0266			
13	Washer, 1/2" - stainless steel	12	11-0619 1			
14	Cover - PVC	1	88-3386 P			
15	Support plate - stainless steel	1	88-3385			
16	Vent valve - CPVC	1	33-0051			
17	Tube, 1/2" ID - vinyl	1	22-0444			
18	Gauge assembly, 60 PSI	1	99-0732			
19	Nut, self locking, hex head 3/8"-16 - stainless steel	14	11-0519			
20	Bolt, hex head 3/8"-16 x 1-5/8" long - stainless steel	12	11-0444 1			
21	Washer, 3/8" - stainless steel	28	11-0126			
22	Bolt, 3/8"-16 x 1 3/4" long - stainless steel	2	11-0374			
23	Screw, slotted 10-24 x 3/4" long - stainless steel	6	11-0623			
24	Cross post - CPVC	26	88-0350 2	88-0351 3	88-0352 3	88-0353 3
25	Handle - 316 SS	2	11-3009			
26	Screw, 1/4"-20 x 3/4" long flat head - stainless steel	4	11-0468			
27	Compression top seat/spring (not shown) - polypropylene (standard)	26	77-0844			
	Top seat plate assembly (optional) Includes cap, spring & top seat plate	26	77-0916			
	Top seat plate - CPVC	26	77-0701 A			
	Hold down spring - vinyl coated 316 strn. steel	26	77-0301 1			
	Spring guard cap - CPVC	26	77-0911			
28	Foot, 3" diameter - PVC	4	88-3421 P			

F.O.B. Northbrook, Illinois

Terms: Net 30 Days

Minimum order \$25.00

SERFILCO[®], LTD.

2900 MacArthur Blvd. 847-509-2900
Northbrook, IL 60062-2005 U.S.A. 800-323-5431
e-mail: sales@serfilco.com FAX: 847-559-1995
www.serfilco.com

WESTERN
310-532-0801
FAX: 310-532-0866