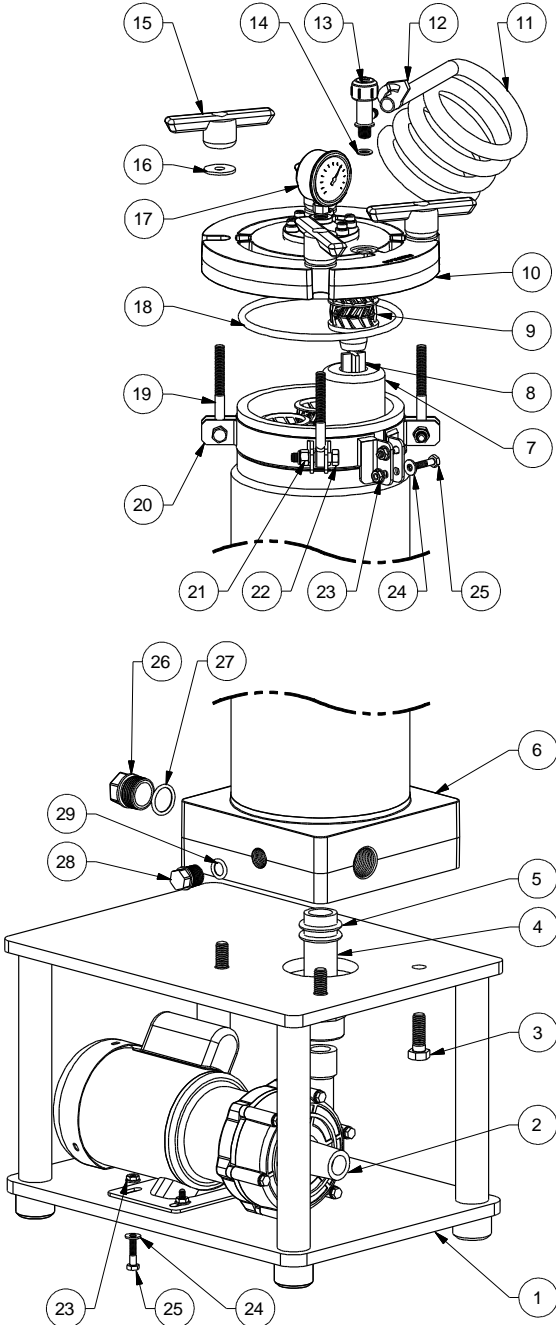




**SERFILCO®**

Parts List  
P-0776  
01/08/10

## Space-Saver 'SX' and Space-Saver 'SM' Filtration Systems



Item	Description	Qty	CS (CPVC)	PPS (PP)	KS (PVDF)	
1	Stand SX	1		88-3456		
	SM			88-3545		
2	Pump (see parts lists)	1		P-9880		
			'X' series		P-4080	
3	Bolt, 1/2"-13	4		11-0588		
			SS			
4	Pump Adapter 'SX'	1	88-3462 1	88-3462 1PP	88-3462 1K	
			'SM' 1"	88-3549 1C	88-3549 1PP	88-3549 1K
			'SM' 3/4"	88-3544 C	88-3544 PP	88-3544 K
5	O-ring	2		22-0905 V		
			FKM		22-0905	
6	Shell & base assembly	1	88-3459 1C	88-3459 1PP	88-3459 1K	
			20"	88-3459 2C	88-3459 2PP	88-3459 2K
			30"	88-3459 3C	88-3459 3PP	88-3459 3K
			40"	88-3459 4C	88-3459 4PP	88-3459 4K
			50"	88-3459 5C	88-3459 5PP	88-3459 5K
7	Filtration Media (See Bulletin)		M-109			
8	Tube guide	3	10"	88-0412	88-0411	88-1611 K
			Cross post			
			20"	88-0350 4	88-0350 4PP	88-1612 K
			30"	88-0351 4	88-0351 4PP	88-1613 K
			40"	88-0352 4	88-0352 4PP	88-1614 K
	Cartridge spacer (not shown)			22-0204		
			FKM		22-0218	
9	Hold down spring / cap	3	77-0844	77-0844	77-1591-K	
			EPDM			
10	Cover	1	88-0387	88-2785	88-1339	
11	Vent valve hose	8		22-0913		
12	Hose clamp	1		22-0912		
13	Vent valve / plug	1	33-8108 PP	33-8108 PP	88-1340	
14	Vent valve / plug	1	22-0870 V	22-0870 V	22-0691	
			O-ring	22-0870	22-0870	22-0600
15	Tee handle	4		11-0265		
16	Flat washer	4		11-0447		
17	Gauge guard	1		99-0732		
18	Cover O-ring	1	22-0360	22-0360	22-0565	
			EPDM	22-0365	22-0365	22-0199
19	Swing bolt	4		11-0497 1		
20	Cover bracket	1		88-0596		
21	Nut	4		11-0519		
22	Bolt	4		11-0444 1		
23	Whizz nut	6		11-0103		
24	Flat washer	12		11-0121		
25	Bolt	6		11-0390		
26	Plug	2	33-0212	33-0212 PP	33-0212 K	
			1NPT			
27	O-ring	2		22-0604		
			FKM		22-0605	
28	Plug, drain,	1	33-0866	33-0866 PP	33-0866 K	
			1/2 NPT			
29	Drain plug O-ring	1		22-0568		
				22-0569		

Space-Saver 'SX' Product Bulletin:	F-213
Space-Saver 'SM' Product Bulletin:	F-214
Operation and Service Guide:	O-0884