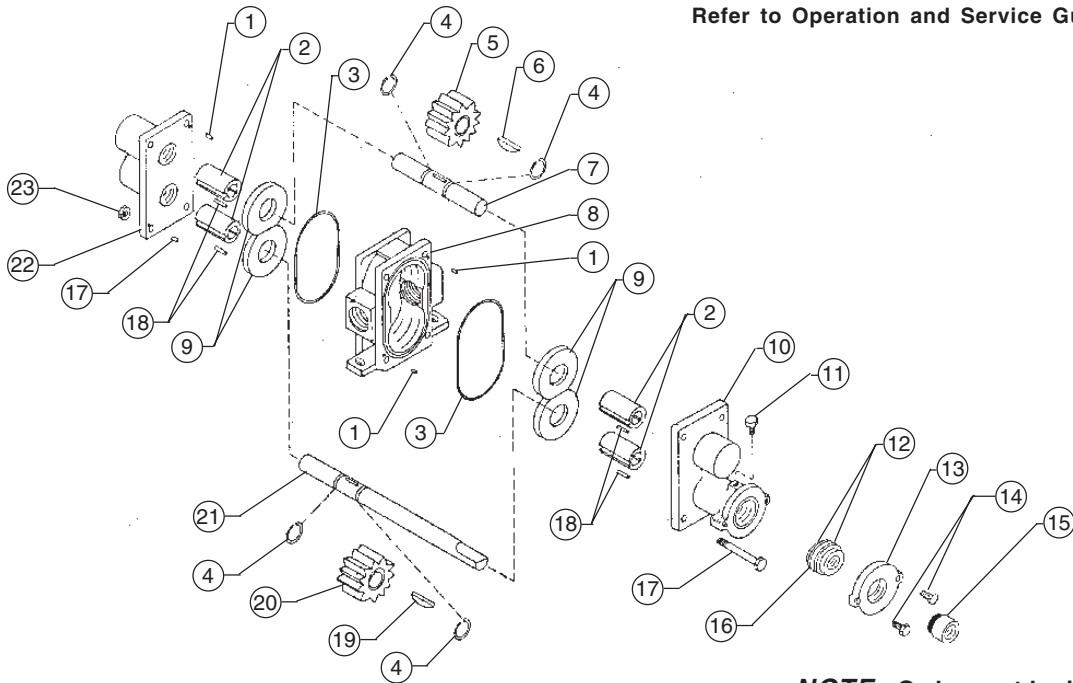




GEAR PUMP

Refer to Operation and Service Guide O-215



NOTE: Order part by item number and description.

ITEM	DESCRIPTION	QUANTITY
1	Housing pin, C-20 carbon steel	4
2	Bearing, long, TFE Bearing, short, TFE	1
3	Housing "O"-ring, TFE	2
4	Retaining ring, C-20 carbon steel	4
5	Gear, TFE	1
6	Key at plastic gear, 316 stainless steel	1
7	Idler shaft, 316 stainless steel	1
8	Center housing, 316 stainless steel	1
9	Wear plate, TFE	4
10	Front housing, 316 stainless steel	1
11	Plug, 316 stainless steel	2
12	Gasket, TFE	2
13	Mechanical seal gland, 316 stainless steel	1
14	¼-20 x 1" hex head cap screw, 18-8 stainless steel	2
15	Mechanical seal, 316 stainless steel/carbon	1
16	Seal seat, ceramic	1
17	Housing bolt, 10-32 x 1 ¼" hex head cap screw, 18-8 stainless steel	4
18	Bearing lock pin, TFE	4
19	Key at metal gear, 316 stainless steel	1
20	Gear, 316 stainless steel	1
21	Drive shaft, 316 stainless steel	1
22	Rear housing, 316 stainless steel	1
23	Housing nut, 10-32, 303 stainless steel	4