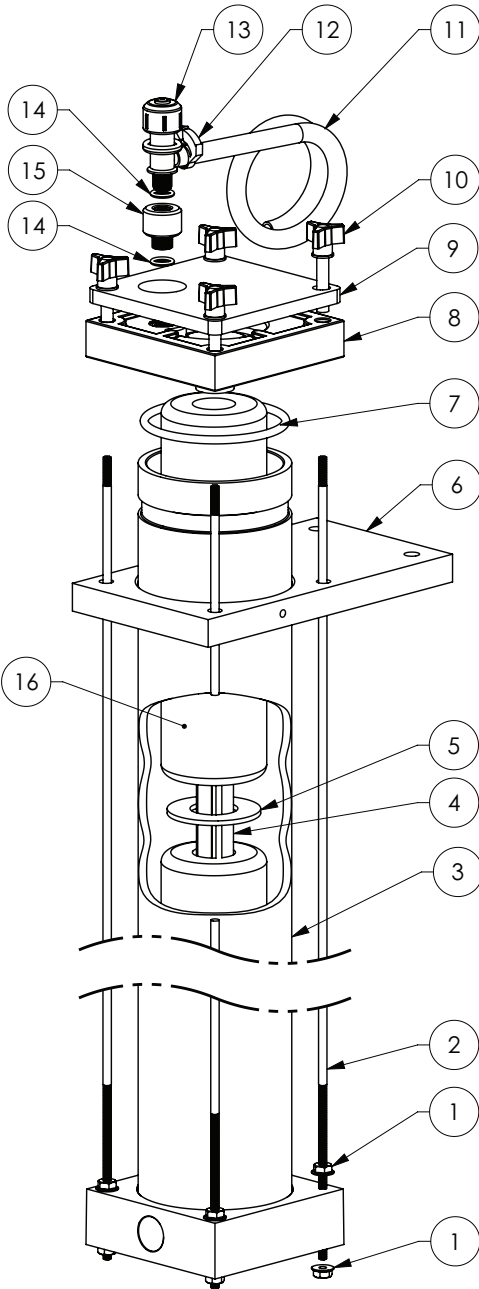


SERIES 'L' FILTER CHAMBERS

w/TIE ROD CLOSURE

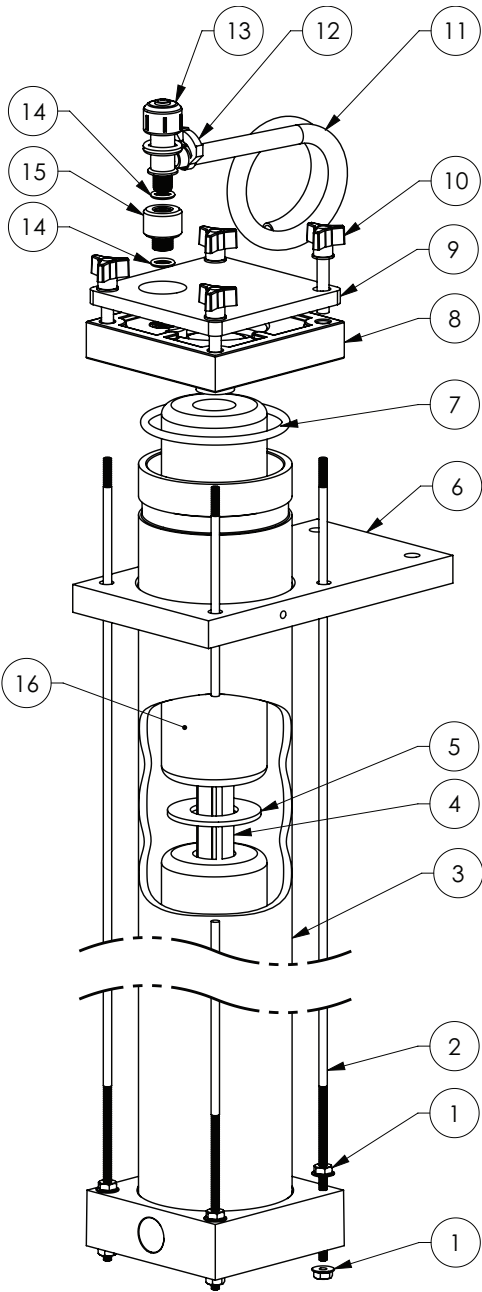
(For hold-down bracket models see Parts List P-9700)

PARTS LIST
P-0195R
SEPT 2011
Page 1 of 2



* Recommended spare parts.

ITEM	DESCRIPTION	MODEL	PRICE CODE NO.			
			DOE CARTRIDGE	FILTER SLEEVE	SOE CARTRIDGE	
1	Whiz locknut, 1/4"-20 - SS (8 req'd)	All	11-0103			
2	Tie rods - SS (4 req'd)	All	4"	77-0674	-	
			6"	77-0675	-	
			10"	77-0676	77-9985	
			20"	77-0677	77-9986	
			30"	77-0678	77-9987	
40"	77-0679	77-9988				
3	Base & shell assembly, 3/4" NPT ports					
	CPVC	CL	4"	88-1232 A	-	
			6"	88-1233 A	-	
			10"	88-1234 A	88-2938	
			20"	88-1235 A	88-2939	
			30"	88-1236 A	88-2940	
	40"	88-1237 A	88-2941			
	PVDF	KL	4"	-	-	
			6"	-	-	
			10"	88-2887	88-2931	
			20"	88-2888	88-2932	
			30"	88-2889	88-2933	
	40"	88-2890	88-2934			
	PP	PPL	4"	88-0690 1	-	
			6"	88-0691 1	-	
			10"	88-0692 1	88-2972 1	
			20"	88-0693 1	88-2973 1	
			30"	88-0694 1	88-2974 1	
	40"	88-0700 1	88-2975 1			
	CPVC base & clear PVC shell	PCL	4"	88-1232 C	-	
			6"	88-1233 C	-	
			10"	88-1234 C	88-2938-C	
			20"	88-1235 C	88-2939-C	
			30"	88-1236 C	88-2940-C	
	40"	88-1237 C	88-2941-C			
	4	Base & shell assembly, 1" NPT ports				
		CPVC	CL	4"	-	-
6"				-	-	
10"				88-2851	88-2958	
20"				88-2852	88-2959	
30"				88-2853	88-2960	
40"		88-2854	88-2961			
PVDF		KL	4"	88-2987 A	-	
			6"	-	-	
			10"	88-2987	88-2992	
			20"	88-2988	88-2993	
			30"	88-2989	88-2994	
40"		88-2990	88-2995			
PP		PPL	4"	-	-	
			6"	-	-	
			10"	88-2977 1	88-2982 1	
			20"	88-2978 1	88-2983 1	
			30"	88-2979 1	88-2984 1	
40"		88-2980 1	88-2985 1			
CPVC base and clear PVC shell		PCL	4"	-	-	
			6"	-	-	
			10"	88-2851 C	-	
			20"	88-2852 C	-	
			30"	88-2853 C	-	
40"		88-2854 C	-			
4		Cartridge post				
		- CPVC	PCL, CL	4",6",10"	88-0412	-
	20"			88-0350 4	-	
	30"			88-0351 4	-	
	40"			88-0352 4	-	
	- PVDF	KL	4",6",10"	88-0442	-	
			20"	88-1610 2K	-	
			30"	88-1610 3K	-	
			40"	88-1610 4K	-	
	- PP	PPL	4",6",10"	88-0411	-	
			20"	88-0350 4PP	-	
			30"	88-0351 4PP	-	
40"			88-0352 4PP	-		



ITEM	DESCRIPTION	MODEL	MEDIA LENGTH	PRICE CODE NO.		
				DOE	SLEEVE	SOE
5	Cartridge spacer - EPDM - FKM	All		22-0218 22-0204	- -	- -
6	Mounting plate, adjustable -PP -CPVC			44-3200 1PP 44-3200 1		
7*	Cover "O"-ring - EPDM (Standard) - FKM (Optional)	All		22-0283 22-0328		
8	Cover - CPVC - PVDF - PP	PCL, CL, KL, PPL		88-0948 88-2817 88-0307 1	88-1107 - 88-1105	88-0948 88-2817 88-0307 1
9	Support plate - FRP	All		99-1099		
10	Plastic knob (4 req'd)	All		11-0298		
11	Vent valve hose, 4'	PPL, CL, PCL	-	22-0913		
12	Hose clamp	PPL, CL, PCL	-	22-0912		
13	Vent valve, 1/4" NPT - PP Vent plug 1/4" NPT (not shown)	CL, PCL, PPL KL		33-8108 PP 88-1340		
14	"O"-ring - EPDM - FKM	CL, PCL, PPL		22-0870 22-0870 V		
15	Adapter coupling, 1/4" used w/FRP cover support plate & vent valve (not shown) - CPVC (optional) - PP (optional)	PCL, CL PPL		33-1864 33-1864 PP		
16*	Filter cartridge - Refer to current product bulletin M-109 Filter sleeve cartridge - See Parts List P-8600.					

OPTIONAL for all models (not shown)

17	Pressure gauge, 0-60 PSI mounted in cover with: EPDM diaphragm & vent valve	- G4A -PP	99-0731
		-G4A -CPVC	99-0733
	W/Viton diaphragm & vent plug: -G4	-PVDF	99-1222

Bulletin	C-105
Operation and Service Guide	O-0888

