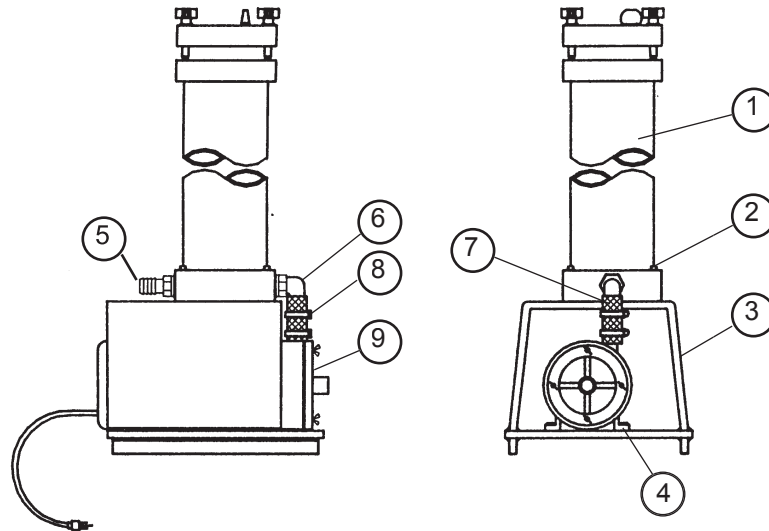




MINI SPACE-SAVER® FILTRATION SYSTEMS

(Series "B" Seal-less Pump with a
Series "L" or "S" Filter Chamber)

PARTS LIST
P-0010M
MARCH 2008



Refer to Bulletin F-204,
Operation and Service Guide
O-390. Include Model & Serial
Numbers when ordering parts.

ITEM	DESCRIPTION	PART NUMBERS	
		SERIES "L"	SERIES "S"
1	Filter chamber - see Parts List Number	P-9700	P-4425
2	Hex head bolt, 1/4"-20 x 2 1/4" - stainless steel (4 req'd) Flat washer, 1/4" - stainless steel (4 req'd) Whiz nut, 1/4"-20 - stainless steel (4 req'd) Hex head bolt, 1/2"-13 x 1 1/2" - CAD plated steel (4 req'd)	11-0428 11-0121 11-0103 -	- - - 11-0588
3	Hooded base -PVC	77-9950	77-9996
4	Hex head bolt, 1/4"-20 x 1" - stainless steel (4 req'd) Flat washer, 1/4" - stainless steel (4 req'd) Whiz nut, 1/4"-20 - stainless steel (4 req'd)	-	11-0415 11-0121 11-0103
5	Straight hose adapter - CPVC 3/4" NPT to hose 1" NPT to 3/4" hose	33-0711 -	- 33-1360
5A	"O"-ring - EPDM - Viton	22-0570 22-0563	22-0605 22-0604
6	Elbow hose adapter - CPVC 3/4" NPT to hose 1" NPT to 3/4" hose	33-1337 -	- 33-1342
6A	"O"-ring - EPDM - Viton	22-0570 22-0563	22-0605 22-0604
7	Filter inlet & pump outlet hose - vinyl 3/4" x 2 1/2" long - nylon reinforced - wire reinforced 3/4" x 2 3/4" long - nylon reinforced - wire reinforced	22-0851 22-0852 - -	- - 22-0853 22-0854
8	Hose clamp (4 req'd)	22-0502	
9	Pump & motor assembly - See Parts List Number	P-2800	
10	Portable adapter kit (not shown) 2 swivel & 2 fixed casters & fasteners	44-0042-2	
11	Suction & discharge hose - vinyl (not shown) 3/4" x 10' long - nylon reinforced 3/4" x 10' long - wire reinforced	22-0620 22-0613	
12	Pump primer & strainer kit (not shown) Includes: Hand pump primer Suction strainer, 3/4" hose	99-0176 99-0160 99-1160	

F.O.B. Northbrook, Illinois

Terms: Net 30 Days



SERFILCO®

2900 MacArthur Blvd.
Northbrook, IL 60062-2005 U.S.A.
e-mail: sales@serfilco.com

847-509-2900
800-323-5431
FAX: 847-559-1141

www.serfilco.com