



LABMASTER[®] FILTRATION SYSTEMS

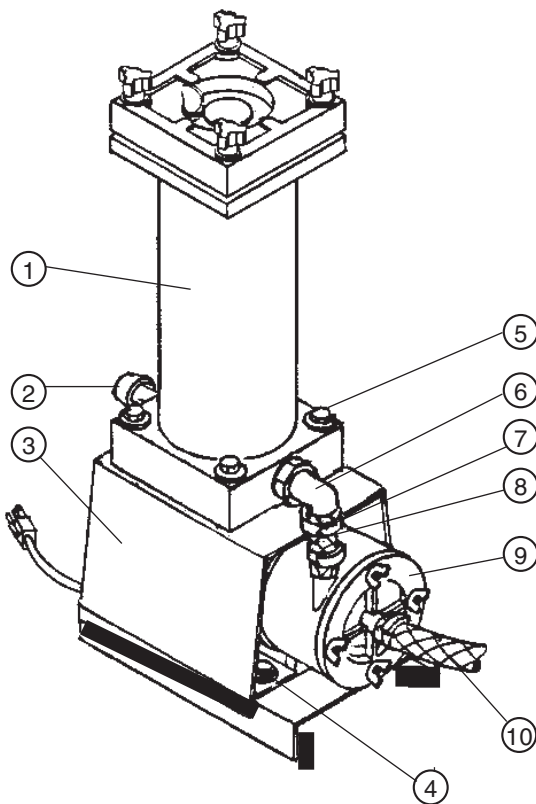
PARTS LIST
P-0001X
OCT. 2004

Refer to Bulletin F-203, Operation & Service Guide O-390 and filter chamber and pump operating instructions.

Refer to Master Price List F-800

Please give serial number & nameplate data when ordering parts.

STANDARD MODEL



ITEM	DESCRIPTION	PART NO.
1	Filter chamber, see Parts List P-9700	
*2	Straight hose adapter - CPVC 5/8" hose x 1/2" NPT, male "O"-ring - EPDM -Viton 5/8" hose x 3/4" NPT, male "O"-ring - EPDM -Viton	33-0710 22-0569 22-0568 33-0503 22-0570 22-0563
3	Hooded base - PVC	77-0490
4	Hex bolt, 1/4"-20 x 1 1/4" -stainless steel (2 req'd) Flat washer, 1/4" size -stainless steel (2 req'd) Whiz locknut, 1/4"-20 -stainless steel (2 req'd)	11-0390 11-0121 11-0103
5	Hex bolt, 1/4"-20 x 2-1/4" -stainless steel (4 req'd) Flat washer, 1/4" size -stainless steel (4 req'd) Whiz locknut, 1/4"-20 -stainless steel (4 req'd)	11-0428 11-0121 11-0103
*6	90° elbow hose adapter-CPVC 5/8" hose x 1/2" NPT male "O"-ring -EPDM -Viton 5/8" hose x 3/4" NPT, male "O"-ring -EPDM -Viton	33-1336 22-0569 22-0568 33-0504 22-0570 22-0563
7	Hose clamp, 5/8" -stainless steel (4 req'd)	22-0502
8	Filter inlet & pump outlet hose, 5/8"x 21/2"long - vinyl Nylon reinforced Wire reinforced (For temperatures over 140 ° F)	22-0480 22-0484
9	Pump & motor (Series "A"), see Parts List P-2700	
10	Suction & discharge hoses, 5/8" x 6ft. - vinyl (2 req'd) Nylon reinforced Wire reinforced (For temperatures over 140° F)	22-0614 22-0616
11	Suction strainer & hand pump kit (not shown) Includes: Hand pump primer Suction strainer, 5/8" hose	99-0175 99-0160 99-0166

* Systems purchased after 8-1-94 have chambers with 3/4" NPT ports.



SERFILCO[®], LTD.

2900 MacArthur Blvd.
Northbrook, IL 60062-2005 U.S.A.
e-mail: sales@serfilco.com FAX:

847-509-2900
800-323-5431
847-559-1995

www.serfilco.com

DISTRIBUTED BY

WESTERN

13721 Alma Avenue FAX: 310-532-0866
Gardena, CA 90249-2513
310-532-0801