



Series 'S' Bag Filter Chamber Base Inlet



SAFETY PRECAUTIONS

BEFORE USING CHAMBER

1. Read operating instructions and instructions supplied with chemicals to be used.
2. Refer to a chemical resistance data chart for compatibility of all materials with solution to be used.
3. Note pressure limitations.
4. Operating personnel should always wear suitable protective clothing: face mask or goggles, apron and gloves.
5. All piping must be supported and aligned independently of chamber.
6. Always close valves slowly to avoid hydraulic shock.
7. Ensure that all fittings and connections and cover are tightened.

BEFORE CHANGING APPLICATION OR PERFORMING MAINTENANCE

1. Wear protective clothing as described in item 4 above.
2. Flush chamber thoroughly with a neutralizing solution to prevent possible harm to personnel.
3. Verify compatibility of materials as stated in item 2 of Safety Precautions above.



CAUTION

Series 'S' Chambers are available in a variety of materials for cover, shell base assembly and gasket elastomers. Refer to unit Model No. and bulletin to identify materials of construction for your model. Verify solution compatibility of all components with solution, maximum operating temperature and pressure. These units incorporate a gasket seal at cover and vent. Verify solution compatibility with gasket material. **DO NOT OVER-TIGHTEN COVER.** Cover should be sealed securely, but not over tight to cause stress or failure of cover. If leakage occurs, open the unit and clean and inspect gasket. A suitable lubricant (such as petroleum jelly) applied to the gasket will facilitate the seal. Replace if stretched or otherwise damaged.

INSTALLATION

Carefully note IN, OUT and DRAIN connections. Install in the proper direction of flow. Unit is shipped completely assembled and ready for installation. Filter Bags are not included. Bags must be ordered separately. Have replacement quantity in stock.

1. Filter chamber is free standing and stable when inlet and outlet piping is completed.
2. Inlet and discharge piping should be 1". Smaller pipe size for low flow rates is acceptable when consideration for system pressure loss is included. Effluent drain is 1/2".
3. Install valve on inlet and outlet of chamber to facilitate bag replacement.

OPERATION

Open inlet valve slowly, checking for gasket leak. See CAUTION if leakage occurs. Loosen vent to bleed entrapped air. Tighten when liquid without bubbles appears.

BAG REMOVAL

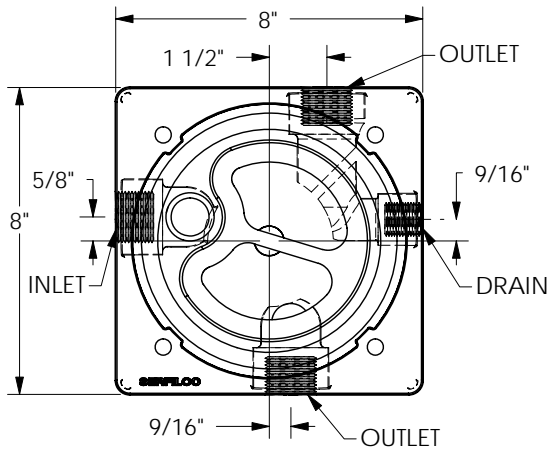
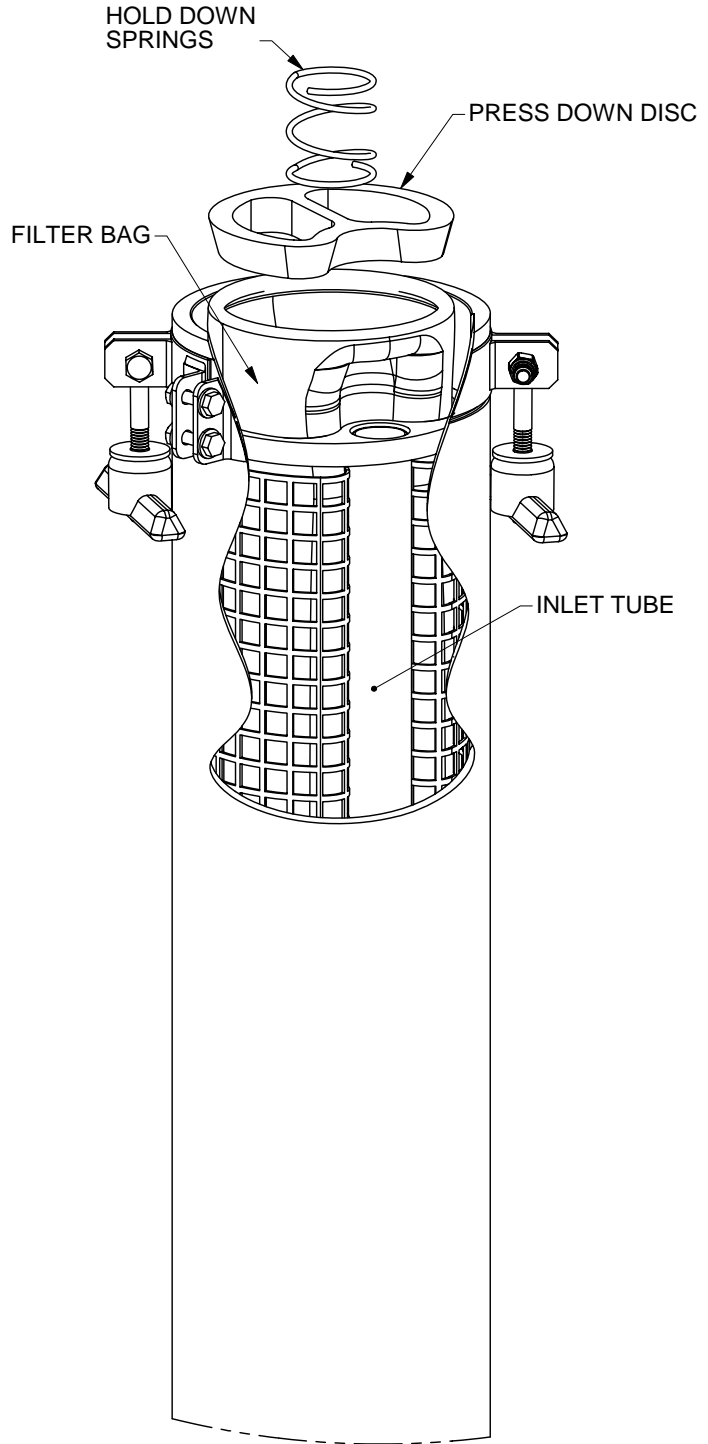
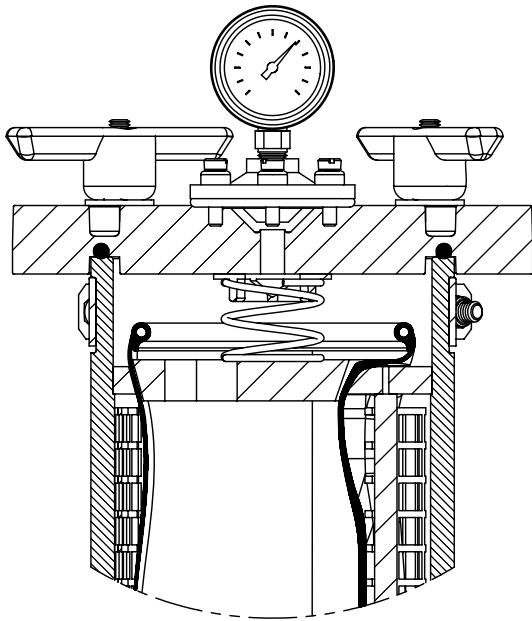
1. Stop pump. Close inlet and outlet valves, open drain and vent. Loosen tee handles at cover and lift cover off shell.
2. Liquid in bag can be drained by using a vinyl hose and priming ball as a syphon pump.
3. Remove press down disc.
4. Remove bag by lifting straight up.
5. Set bag aside for cleaning or disposal.

BAG REPLACEMENT

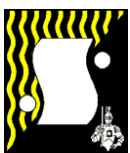
1. Insert 'press down disc' into bag just below bag o-ring.
2. Insert bag into chamber by positioning concave section of the 'press down disc' around inlet tube.
3. Make sure 'hold down spring' is attached to the cover.
4. Replace cover on shell and pull cover down by tightening two diametrically opposite swing bolts. Be sure shell is properly positioned under cover gasket. Tighten remaining swing bolts, keeping the cover even.
5. Close drain, open outlet and inlet valves. As the solution rises in the chamber, air will escape at the vent. Close vent plug when solution appears without bubbles.

MAXIMUM PSI PRESSURE AT OPERATING TEMPERATURE

TEMP	PVC	CPVC	PVDF	PP
70°F	100	100	120	50
100°F	85	85	95	45
120°F	55	65	80	40
140°F	30	50	70	35
170°F	-	30	55	15
200°F	-	20	45	-



Bulletin	C-307
Parts List	P-6650 P-6660
Price List	F-800



SERFILCO, LTD.

2900 MacArthur Blvd.
Northbrook, IL 60062 U.S.A.
Email: Sales@SERFILCO.com
Web: WWW.SERFILCO.COM

(800) 323-5431
(847) 509-2900
Fax: (847) 559-1995

WESTERN REGIONAL OFFICE

13721 Alma Avenue 310-532-0801
Gardena, CA 90249-2513 800-348-0801
Fax 310-532-0866