



BAG FILTER CHAMBER

MODELS
630BFS 1
640BFS 1

Refer to Bulletin C-301 and
Parts List P-6500.

! IMPORTANT

1. Refer to Bulletin for operating specifications and replacement bags for each style chamber.
2. Read operating instructions and instructions supplied with chemicals to be used.
3. Refer to Chemical Resistance Data Chart for compatibility of materials with solution to be used.
4. Note temperature and pressure limitations on chart.

START-UP

Attach hose adapter or pipe to base outlet which is 1" NPT. Connect inlet hose to cover. Tighten cover by turning tee handles.

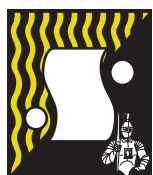
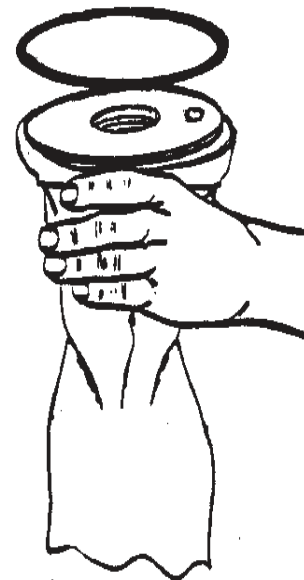
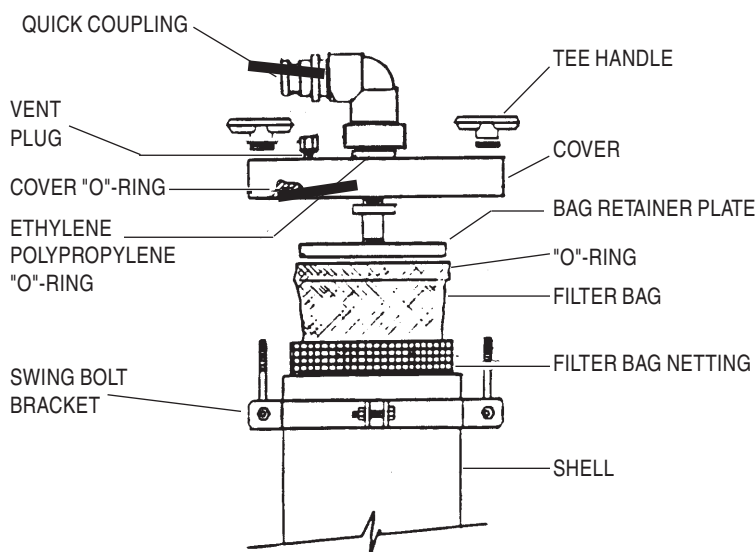
BAG REMOVAL

1. Remove inlet hose by disconnecting quick coupler at cover.
2. Loosen tee handles and allow swing bolts to drop to side of shell. Lift cover off, bag will be attached to cover assembly.
3. Unscrew elbow coupling to remove bag from retainer plate.
4. Liquid in bag can be drained by using a vinyl hose and priming ball as a syphon pump. Remove bag by lifting straight up.
5. Set bag aside for cleaning or disposal.

PRESSURE/TEMPERATURE LIMITATIONS	
<i>DO NOT EXCEED THESE MAXIMUM RECOMMENDATIONS</i>	
MODEL	MAXIMUM
PL630 & 640	100 PSI @ 70°F or 22 PSI @ 120°F
CL630 & 640	80 PSI @ 70°F, 55 PSI @ 140°F, 20 PSI @ 200°F
PPL630 & 640	70 PSI @ 70°F, 45 PSI @ 140°F

BAG REPLACEMENT

1. Thread bag retainer plate onto threaded nipple so locating pin on cover aligns with hole in plate. Fit bag around retainer plate so bag "O"-ring seats on retainer plate shoulder.
2. Turn elbow coupling so retainer plate and bag tighten against cover. Bag must fit inside recess of cover when assembly is complete. TFE tape must be used on threads for easy removal of coupling and to assure a leak proof assembly.
3. Insert bag into chamber and position cover onto chamber shell with cover "O"-ring in position. Lock cover on with swing bolts and tee handles. Attach inlet hose with quick disconnect coupling. Start pump and expel air from chamber by loosening vent screw. Tighten when liquid starts coming from vent screw.



SERFILCO, LTD.

2900 MacArthur Blvd. 847-509-2900
Northbrook, IL 60062-2005 U.S.A. 800-323-5431
e-mail: sales@serfilco.com FAX: 847-559-1995
www.serfilco.com

DISTRIBUTED BY