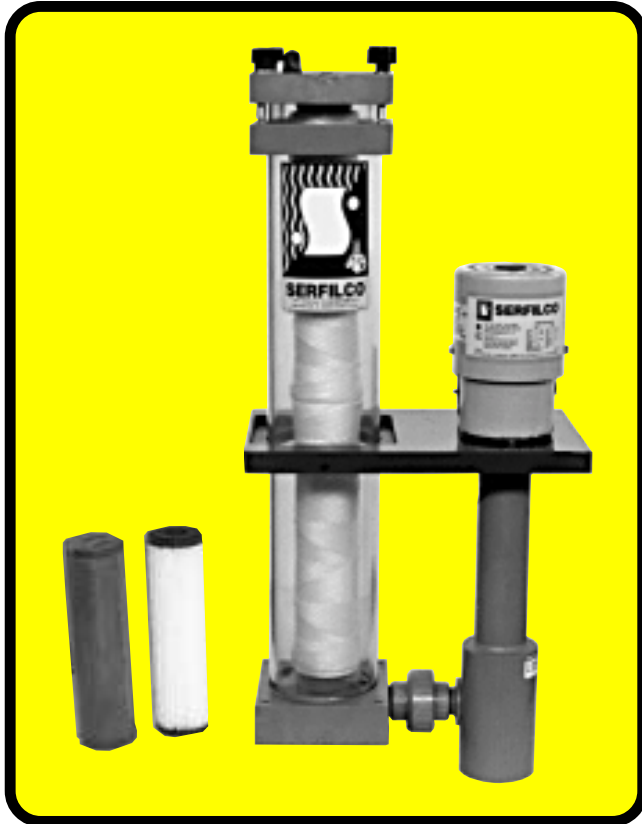


ADMIRAL® 'EL' FILTRATION SYSTEMS

For Acid, Aqueous or Alkaline Solutions



SPECIFICATIONS

SYSTEM:

ADMIRAL 'EL' filtration systems consist of a vertical, dry-run capable pump and a single column filter chamber for a 10", 20" or 30" filter cartridge. The pump and filter are mounted in a compact configuration using a common mounting plate and union connection between the pump outlet and filter inlet.

FILTER:

The filter is industry proven for ease of service and reliability. The Series 'L' filter chamber will accommodate a wide variety of filter media including string wound, pleated, melt blown, carbon, cleanable sleeves or reusable canister. This rugged chamber features totally non-metallic solution contact and is constructed of either PVC with a translucent shell, polypropylene, CPVC or PVDF. The thumb screw cover closure with "O"-ring ensures a proper seal and requires no tools for cartridge changing. The

FEATURES

- Flow rates to 1,000 GPH
- Non-metallic solution contact
PVC, polypropylene, CPVC or PVDF with EPDM elastomers.
Viton® elastomers optional.
- Runs dry without damage
- Compact, lightweight
- For 10", 20" or 30" cartridge lengths
- For in-tank or out-of-tank mounting

BENEFITS

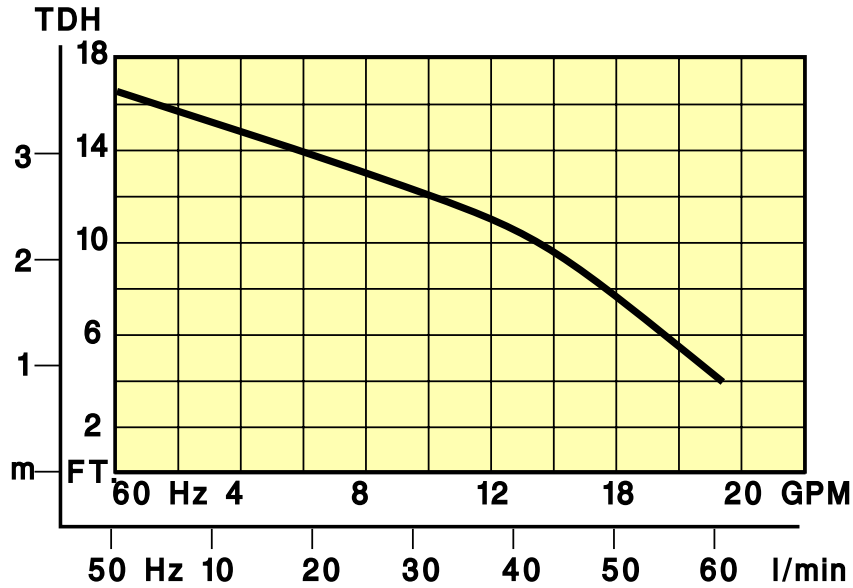
- Efficient pump and pressurized filter chamber provides longer intervals of continuous high flow than any suction style filter
- Reduce scrap, rework, chemical consumption, tank maintenance — improve product quality
- Accepts a wide variety of media — string wound, melt blown, pleated, carbon, sleeves or canisters, or a combination thereof
- Easy media change — unit does not have to be removed from the tank — no tools are required

chamber cover also includes a handy vent valve for purging air from the chamber.

PUMP:

The rugged Series 'E' is a tough, all machined pump designed for years of trouble-free operation. This pump is constructed of either polypropylene, CPVC or PVDF and features a cantilevered, sleeved stainless steel shaft which eliminates bearings and seals, resulting in a pump that can run dry without damage. The pump features a TFE vapor seal between the rotating shaft and the support column which protects the motor. The compound impeller prevents liquid from rising in the column, even at maximum TDH, while the semi-enclosed bottom impeller provides efficient flow performance at low horsepower. Motors are 115-230V/1/50-60 Hz, TEFC with 8 ft. cord and 3-prong molded plug.

ADMIRAL 'EL' FILTRATION SYSTEMS Specifications and ordering information

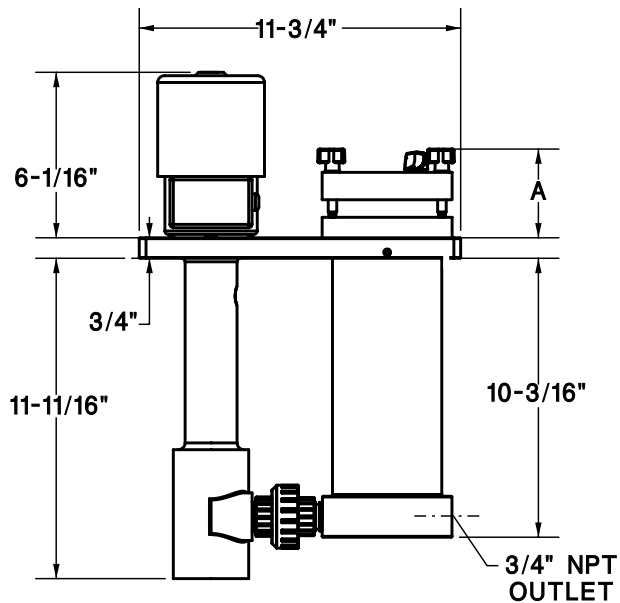


TO ORDER, use System Number

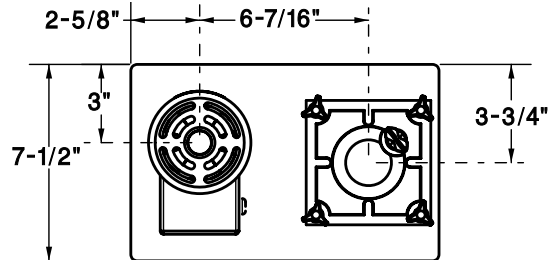
SYSTEM NUMBER				MEDIA ¹ No - lgth.	DIM. A (Inches)	PUMP			CONNS.	SHIPPING WEIGHT (lbs.)
PVC	PP	CPVC	PVDF			MODEL	HP	MAX. FLOW (U.S. GPH) *		
PL1E	PPL1E	CL1E	KL1E	1 - 10"	3¼	E3/4	1/8	1000	1" x ¾" NPT	17
PL2E	PPL2E	CL2E	KL2E	1 - 20"	13¼					19
PL3E	PPL3E	CL3E	KL3E	1 - 30"	23¼					21

* See flow curve

¹ Order filter media separately. Refer to Filter Media.



OPTIONAL	ADD TO SYSTEM NO.
Viton® elastomers on filter chamber and pump	V



TOP VIEW

Specifications subject to change without notice.