

# SPACE-SAVER® 'GJ' FILTRATION SYSTEMS

*Compact, high flow, efficient and durable systems designed to handle a variety of solutions including —*

**Electroplating, Printed Circuit Board, Waste and Water Treat, Fume Scrubber, Cooling Tower Reservoir and more!**



- **High flow rate — 5,000 - 10,000 GPH @ 60 Hz**  
(15,000 - 31,500 LPH @ 50 Hz)
- **High capacity — 12 - 20", 30" or 40" cartridges**  
(to 168 square feet of solids holding capacity)
- **Non-metallic, corrosion resistant**  
PVC or CPVC with CPVC mechanical seal pump or polypropylene magnetic coupled pump
- **Available carbon chamber**
- **Easy cartridge changeout**
- **Improve finished goods and process quality, minimize scrap and rework**
- **Reduce chemical consumption by maintaining solution quality**
- **Minimize bath maintenance and downtime with high flow continuous particle removal**

Space-Saver 'GJ' filtration systems are compact, high flow, high capacity systems which are corrosion resistant, easy to install and simple to operate.

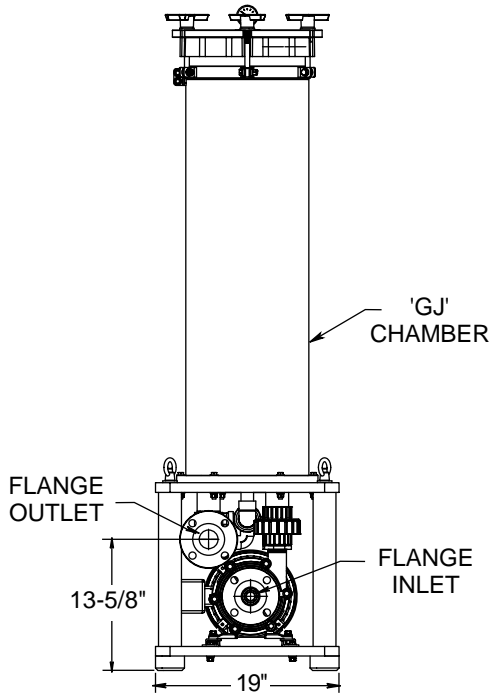
Systems are available with a single mechanical seal CPVC pump for use with nearly all solutions, including those which contain ferrous metal particles. Double seal CPVC pumps are available and are recommended for use with solutions having ferrous metal particles, excessive abrasives and for solutions which crystallize when cooled. In addition, the double water flush seal pump is an excellent choice for applications where dry-run may occur. Magnetic coupled polypropylene pumps are also available.

Filter chambers are rugged machined CPVC or PVC with oversized ports for low pressure differential. Low pressure drop and high surface area (solids holding capacity) mean long periods of high flow, continuous dirt removal.

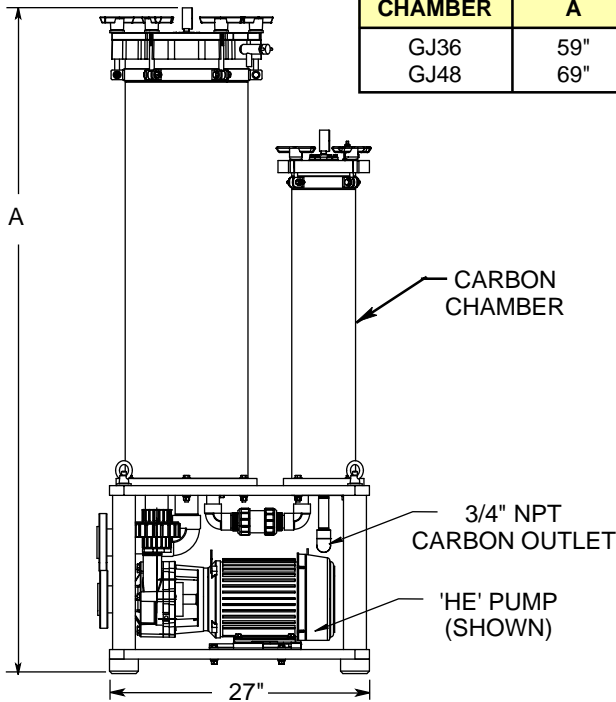
Select a system which will provide 3.5 - 7.0 square ft. of solids holding area per 50 gallons of solution. Flow rate should be 2 - 10 tank turnovers per hour, depending on clarity desired. Coarse media and high flows are desirable for high dirt load applications. Increasing the number of cartridges reduces solution flow per cartridge, improves efficiency and reduces cartridge consumption.

# SPACE-SAVER 'GJ' FILTRATION SYSTEMS Dimensions and performance

## DIMENSIONS

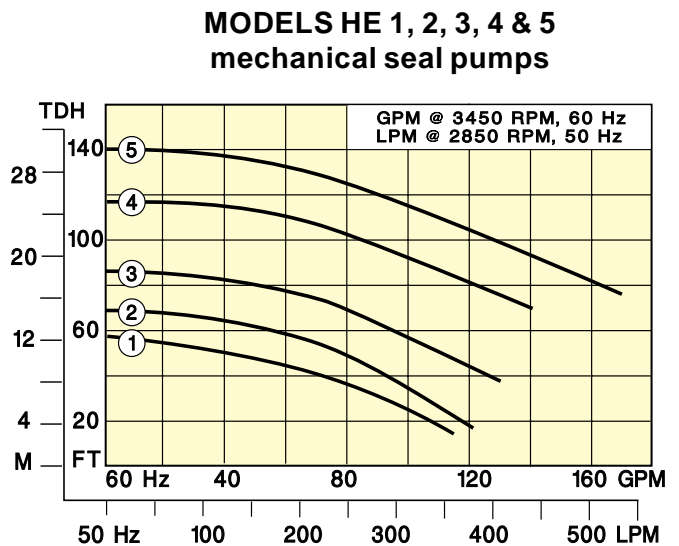
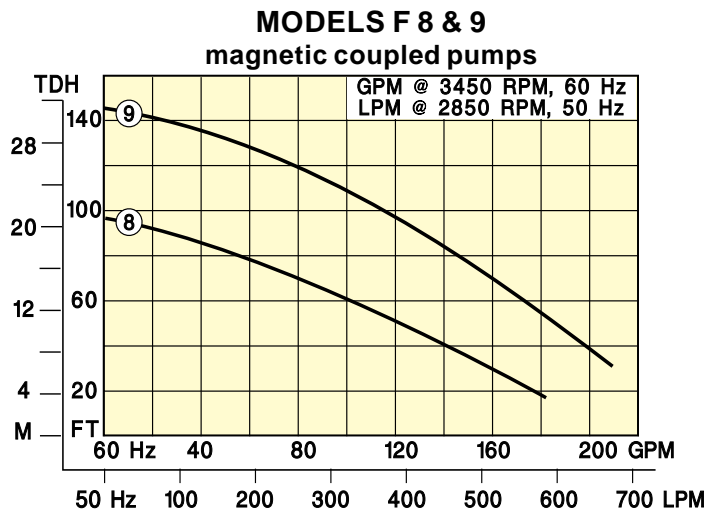
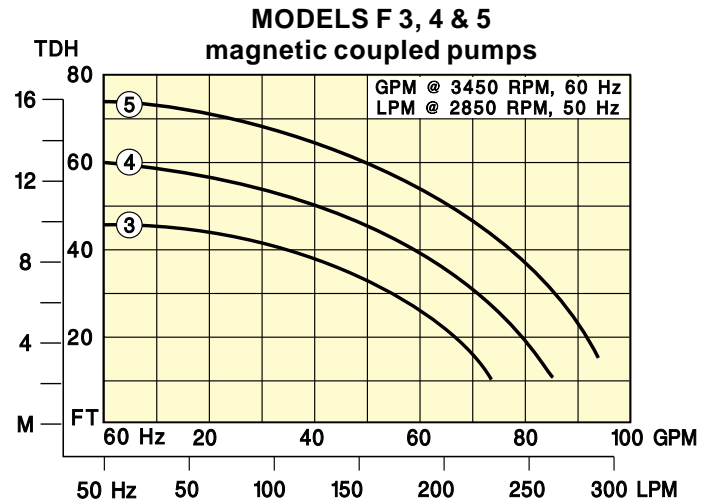


CHAMBER	A
GJ36	59"
GJ48	69"



**SPACE-SAVER 'GJ'  
FILTRATION SYSTEMS  
with OPTIONAL CARBON  
PURIFICATION CHAMBER**

## FLOW CURVES



## SPACE-SAVER 'GJ' FILTRATION SYSTEMS Specifications

### All Space-Saver 'GJ' systems include the following standard features:

- Non-metallic solution contact
- Stainless steel external fasteners
- Swing bolt chamber closures
- EPDM elastomers standard
- Corrosion resistant PVC hooded base
- Flange connections
- Industrial duty SERFILCO pump
- Hard piping and wet testing prior to shipping
- Corrosion resistant pressure gauge and vent valve
- Silicon carbide seals on mechanical seal pumps
- Filter chamber bottom inlet for low pressure drop

### Systems with polypropylene magnetic drive pump and CPVC or PVC<sup>1</sup> filter chamber

System Number	Flow Rate		Pump Series	Pump HP <sup>3</sup>	Pump Max. PSI	Cartridge Change PSI	Filter Series	Media	Solids Area (sq. ft.)	Suct. / Disch Conns. (inches)	Shipping Weight
	GPH @ 60 Hz	LPH @ 50 Hz									
CGJ36F315	5,000	15,800	F	1.5	23	20	GJ	12 - 30"	126	1½F x 1½F	210
CGJ36F420	5,500	17,300	F	2.0	29	25	GJ	12 - 30"	126	1½F x 1½F	220
CGJ48F420	5,500	17,300	F	2.0	29	25	GJ	12 - 40"	168	1½F x 1½F	230
CGJ36F530	6,000	18,900	F	3.0	35	30	GJ	12 - 30"	126	1½F x 1½F	230
CGJ48F530	6,000	18,900	F	3.0	35	30	GJ	12 - 40"	168	1½F x 1½F	240
CGJ48F850	8,500	26,800	F 2X2	5.0	45	33	GJ	12 - 40"	168	2F x 2F	260
CGJ48F975	10,000	31,500	F 2X2	7.5	55	42	GJ	12 - 40"	168	2F x 2F	275

### Systems with CPVC single or double seal<sup>2</sup> direct drive pump and CPVC or PVC<sup>1</sup> filter chamber

System Number	Flow Rate		Pump Series	Pump HP <sup>3</sup>	Pump Max. PSI	Cartridge Change PSI	Filter Series	Media	Solids Area (sq. ft.)	Suct. / Disch Conns. (inches)	Shipping Weight
	GPH @ 60 Hz	LPH @ 50 Hz									
CGJ36HE115	5,000	15,800	HE	1.5	24	19	GJ	12 - 30"	126	2F x 2F	210
CGJ36HE220	5,500	17,300	HE	2.0	29	26	GJ	12 - 30"	126	2F x 2F	220
CGJ48HE220	5,500	17,300	HE	2.0	29	26	GJ	12 - 40"	168	2F x 2F	230
CGJ36HE330	6,500	20,500	HE	3.0	36	32	GJ	12 - 30"	126	2F x 2F	230
CGJ48HE330	6,500	20,500	HE	3.0	36	32	GJ	12 - 40"	168	2F x 2F	240
CGJ48HE450	8,500	26,800	HE	5.0	50	45	GJ	12 - 40"	168	2F x 2F	260
CGJ48HE575	10,000	31,500	HE	7.5	60	45	GJ	12 - 40"	168	2F x 2F	275

<sup>1</sup> Listed system includes CPVC chamber.

To order system with PVC chamber — change **C** to **P** in System No.

<sup>2</sup> To order pump with double mechanical seal — change **HE** to **HED** in System No.

<sup>3</sup> Less than 1.0 HP — single phase standard.

1.0 HP and above — three phase standard.

## SPACE-SAVER 'GJ' FILTRATION SYSTEMS Optional equipment

### OPTIONAL

CARBON PURIFICATION CHAMBER		
DESCRIPTION		ADD TO END OF SYSTEM NO.
Includes integral carbon chamber and flow control valve. Carbon outlet ¾" NPT	PVC chamber, single 5" x 28" canister, 7.5 lbs. capacity	P
	CPVC chamber, single 5" x 28" canister, 7.5 lbs. capacity	C
	CPVC chamber, single 5" x 28" Maxi-Carb cartridge, 3.0 lbs. carbon	M

See Carbon Purification and Media.

OPTIONAL ELASTOMERS	ADD TO END OF SYSTEM NO.
Filter chamber with Hypalon® and pump with Viton® elastomers	V

MOTOR STARTERS		
		PRICE CODE NO.
NEMA 4X Watertight push button (mounted and wired)		
Add <b>-S</b> to motor starter Price Code No. when ordering motor starter for use with DRI-STOP® Pump Protector		
<b>IMPORTANT:</b> Specify operating voltage	115 - 230V/1/50-60	O-MS1P
	230 - 460V/3/50-60	O-MS3P

DRI-STOP® PUMP PROTECTOR	
DRI-STOP 2R for use with double mechanical seal pump.	O-2DS2R
DRI-STOP 3 for use with magnetic drive or single mechanical seal pump.	O-DS3C

OPERATING VOLTAGE	
1 horsepower and above - Single phase	O-1PH
Under 1 horsepower - Three phase	O-3PH

50 Hz OPERATION	
Single phase @ 50 Hz	O-150H
Three phase @ 50 Hz	O-350H

Specifications subject to change without notice.