

MODEL DR60-3
with optional pressure gauge & vent assembly

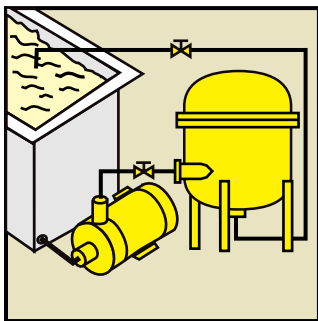
WATER TREATMENT / FOOD PROCESSING CLEANING / PHOTOGRAPHIC ELECTROPLATING / PHARMACEUTICAL CHEMICAL / PETROCHEMICAL / BEVERAGE

- **Non-metallic solution contact**
Rubber lined steel chamber with CPVC internals and swing bolt cover closure. Maximum temperature 180°F (82°C) (See a chemical resistance chart)
- **Heavy Duty construction**
Rubber lined steel chambers
Stainless steel external hardware
Flanged inlet, outlet, drain and vent parts
Two part epoxy paint
- **High flow rates** to 18,900 GPH (71,500 LPH)
- **Large filtration area —**
Disc models — 60, 78 or 105 sq. ft.
(5.6, 7.2, 9.7 sq.m)
- **Two-part epoxy paint, stainless steel fasteners**

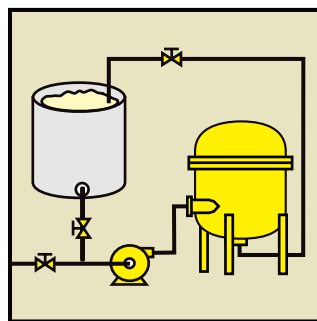
The 'DR' Filter Chambers are designed for quality filtration of plating and other chemical solutions. The high surface area with I.D. and O.D. edge seals of filter discs assures optimum performance and clarity of solution.

Disc filters can be used with a precoat of filter

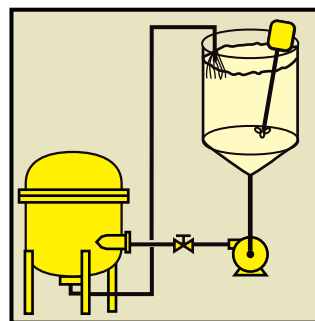
aid alone or with a mixture of filter aid and powdered carbon for organic removal. Some applications may allow filtration without a media precoat. Chambers include complete set of polypropylene plates, drain and vent connections.



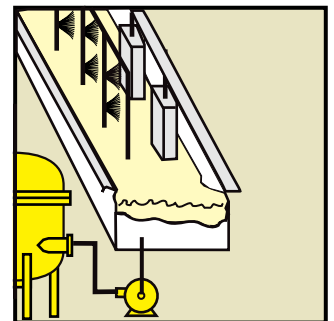
PLATING



CHEMICAL



BATCH TREATMENT



CLEANING



SERIES 'DR' | DISC CHAMBERS

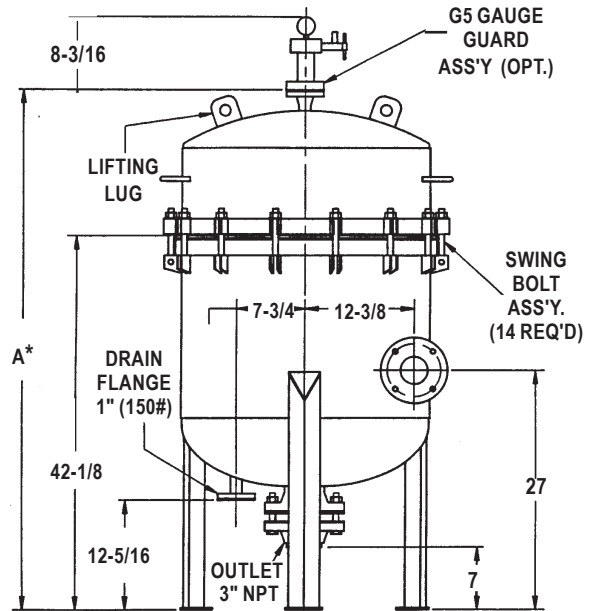
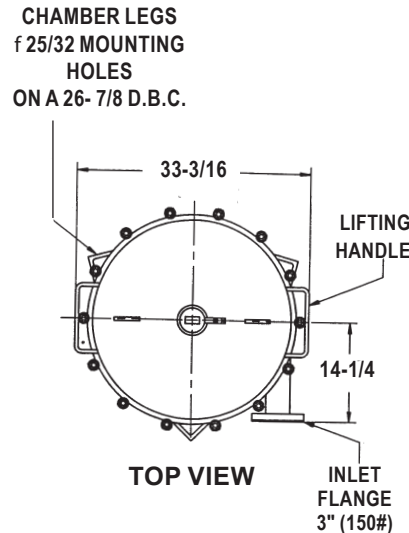
2900 MacArthur Blvd. Northbrook, IL. USA 60062 www.serfilco.com (800) 323 - 5431

Series 'DR' Filter Chambers are carbon steel fabricated, then vulcanized rubber lined to provide years of trouble-free service. Exterior metal surfaces are primed and coated two part epoxy gray enamel. Swing bolt hardware is stainless steel. Non-metallic internals are CPVC or poly-propylene. Bottom half of the chamber is common for

the three cover sizes. Tangent inlet is 3" flange. Drain and vent ports are 1" flanged. Bottom center outlet is 3" NPT which facilitates convenient direction of discharge piping. Cover includes lift handles. Hoist lugs are provided on the two large models. Chamber includes mounting pads for optional davit lift for cover.



MODEL DR78-3
with cover removed



Maximum Operating
Pressure: 55 PSI (380 kPa)

MODEL	*A DIMENSIONS (In.)
DR60-3	50-11/16
DR78-3	58-11/16
DR105-3	68-15/16

TO ORDER, use Price Code No.

DISC CHAMBER MODEL	NO. OF DISCS	AREA		MAX. FLOW		SLUDGE CAP.		SHIPPING WT.		PRICE CODE NUMBER
		Sq. Ft.	Sq. m.	GPM	LPM	Ft. ³	Liters	Lbs.	kg.	
DR60-3	20	60	5.6	180	680	3.4	96.2	660	300	78-1376
DR78-3	26	78	7.2	235	890	4.4	124.5	760	345	78-1375
DR105-3	35	105	9.7	315	1190	5.9	166.9	800	363	78-1374

FILTER DISCS PACKAGED IN CARTONS OF 250			
DISC MODEL	MICRON RATING	PRICE CODE NO.	
		Cellulose	Polypropylene
** E5 x 24	5	78-1420	78-1460
** E10 x 24	10	78-1421	78-1461
** E20 x 24	20	78-1422	78-1462
** E40 x 24	40	78-1423	78-1463

OPTIONAL	ADD TO MODEL	PRICE CODE NUMBER
Pressure gauge 0-60 PSI mounted on CPVC gauge guard with diaphragm and CPVC vent valve	-G5	78-0073
Davit cover lift Model D R60-3 D R78-3 D R105-3	-D	78-1602 78-1603 78-1604

** Insert **C** for cellulose or **P** for polypropylene