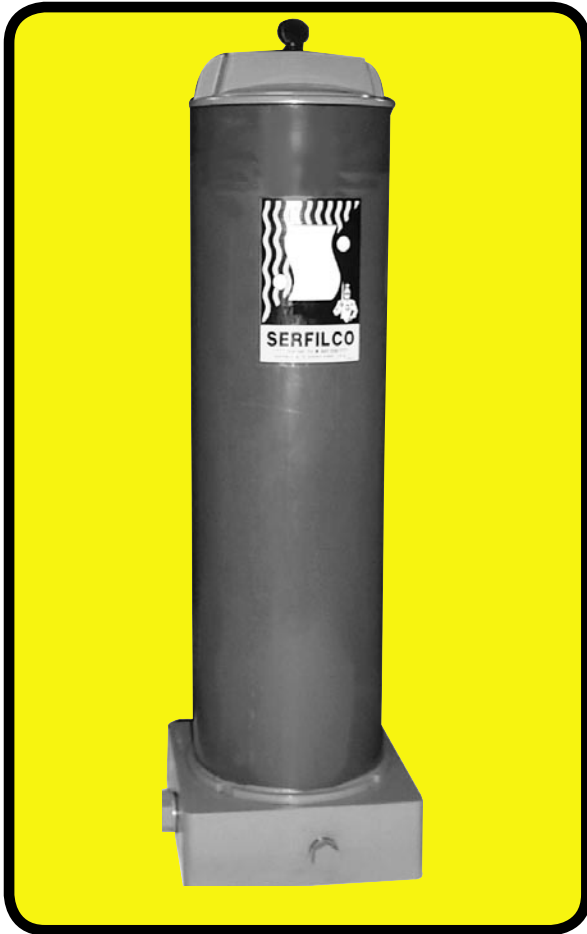


SERFILCO®

PLASTIC FILTER CHAMBERS SERIES 'SD'

BULLETIN
C-116
JAN 2005



**WATER TREATMENT / PARTS WASHERS
VENDING / PHOTOGRAPHIC
CIRCUIT BOARD SCRUBBING
CHEMICAL MILLING / WASTE TREATMENT**

FEATURES:

- **Non-metallic solution contact** —
CPVC, PVC or polypropylene construction
EPDM elastomers standard. Viton® optional
(See a chemical resistance chart)
- **Screw top cover closure**
for quick and easy cartridge change
- **Port size 1" FNPT**
- **Choice of configurations and sizes available for use with a variety of filter media**

Depth wound cartridges

From 3 to 12-10" cartridge capacity
(or equivalent 20", 30", or 40" lengths.)

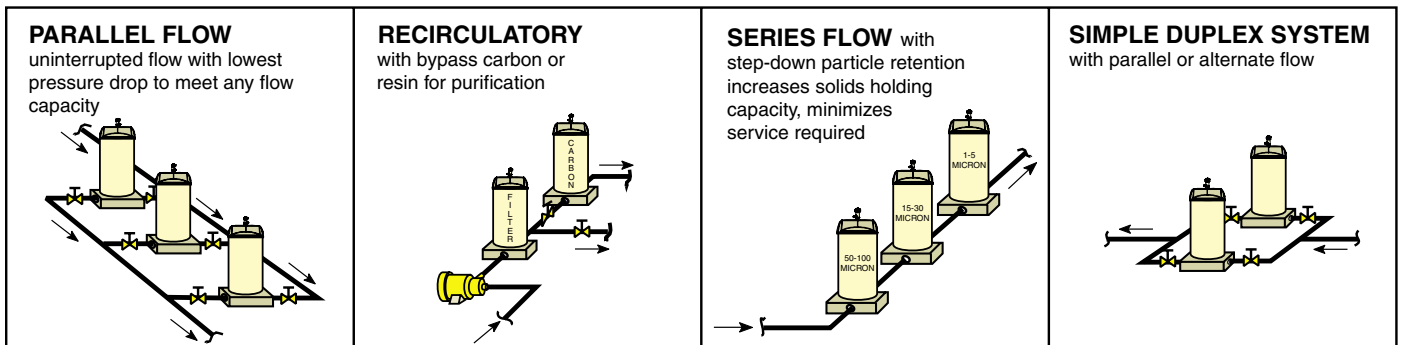
Single 4" diameter pleated cartridge
(or 2-4" diameter wound cartridges)

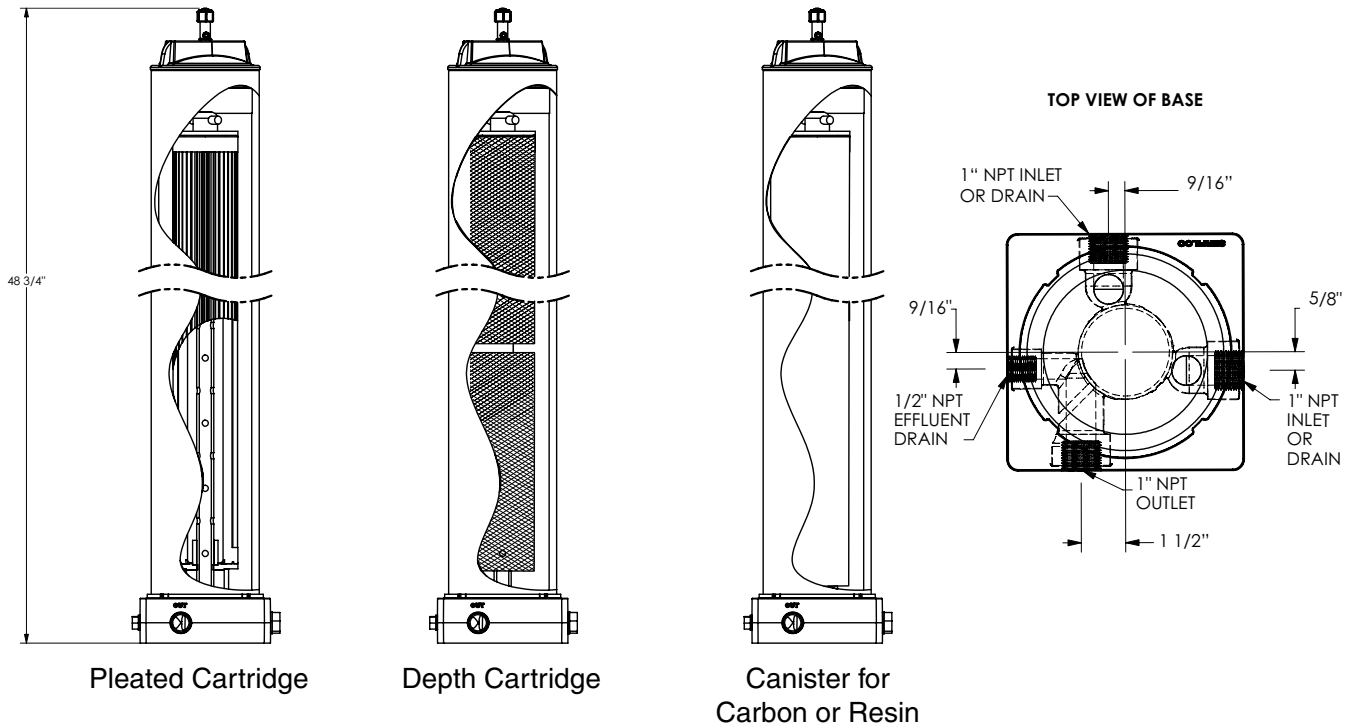
Single canister

For granular carbon or resin

The Series 'SD' Filter Chambers provide versatility and ease of operation for the filtration and purification of various process solutions. The Series 'SD' single cartridge chamber will accept a 4" diameter pleated cartridge, two 4" dia. depth wound cartridges, or a single carbon canister for granular carbon or resin.

The multi-cartridge chamber holds 3 to 12 standard depth wound cartridges. Both designs feature non-metallic solution contact and are available in PVC, CPVC or polypropylene construction. These chambers also feature a screw top cover closure for quick and easy cartridge change.





Series 'SD' – single cartridge / canister chamber

Chamber holds 1-4" dia. x 36" long pleated cartridge or 2-4" dia. x 18" long depth cartridges. The cartridges are held securely in place by a dispersion tube with a twist cap assembly. Chamber will also hold 1-5" dia. x 38" long canister for carbon or resin. Filter media and canister assembly ordered separately.

PRICE CODE NUMBER	MODEL NUMBER	MATERIALS OF CONST.	CONNS.	SHIPPING WEIGHT	Δ P @ FLOW	MAXIMUM OPERATING TEMP
78-1484 P	PL640D-1	PVC & CPVC EPDM	1" FNPT	45 lbs	5 PSI @ 30 GPM 15 PSI @ 68 GPM	CPVC 180° F
78-1484 C	CL640D-1	CPVC/EPDM				PP 160° F
78-1484 PP	PPL640D-1	PP & RYTON EPDM				PVC 140° F
						MAXIMUM OPERATING PRESSURE
						40 PSI

To order chamber with Viton 'O'-ring, change **L** to **V** in Model No. and add **-V** to Price Code No.

FILTER MEDIA: Order separately

PLEATED PAPER CARTRIDGE

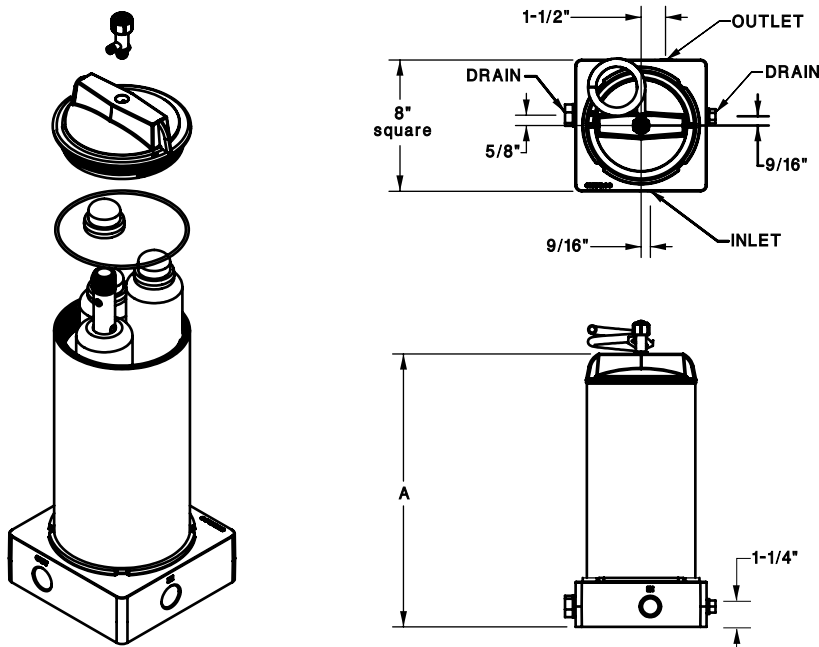
DESCRIPTION	MICRON RATING	MODEL
4" dia. x 36" long	2	PL436-2-4

CANISTER FOR CARBON or RESIN

DESCRIPTION	MODEL	PRICE CODE NUMBER
5" dia. x 38" long	538P	88-2787

DEPTH WOUND CARTRIDGES

4" dia. x 18" long polypropylene or unbleached cotton	See Bulletin M-109
---	--------------------



FLOW RATE VS. PRESSURE DIFFERENTIAL WITH 15 MICRON DEPTH WOUND CARTRIDGES)		
1" FNPT Connections	@ 5 PSI	@ 15 PSI
	30 GPM 114 LPM	58 GPM 220 LPM

Series 'SD' - Multi-Cartridge Chamber

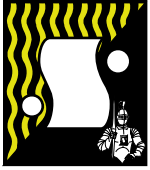
Chamber holds 3 to 12 - 10" cartridges (2 5/8" O.D. MAX). The cartridges are held securely in place by a dispersion tube and cap assembly. Select depth wound, pleated, carbon or membrane cartridges (ordered separately)

DESCRIPTION	Model Number	Price Code Number
PL CPVC base and cover, PVC shell sealed to base. EPDM 'O'-ring at cover and polypropylene vent plug. CPVC internals. CPVC cartridge guides, caps and drain plugs. For DOE cartridges.	PL30(1)P-1 PL60(1)P-1 PL90(1)P-1 PL120(1)P-1	78-1300 P 78-1301 P 78-1302 P 78-1303 P
CL CPVC base and cover, CPVC shell sealed to base. EPDM 'O'-ring at cover and polypropylene vent plug. CPVC internals. CPVC cartridge guides, caps and drain plugs. For DOE cartridges.	CL30(1)P-1 CL60(1)P-1 CL90(1)P-1 CL120(1)P-1	78-1300 C 78-1301 C 78-1302 C 78-1303 C
PPL Polypropylene base and Ryton cover. Polypropylene shell sealed to base. EPDM 'O'-ring at cover and polypropylene vent plug. PP internals. PP cartridge guides, caps and drain plugs. For DOE cartridges.	PPL30(1)P-1 PPL60(1)P-1 PPL90(1)P-1 PPL120(1)P-1	78-1300PP 78-1301PP 78-1302PP 78-1303PP

To order chamber with Viton 'O'-ring, change L to V in Model No. and add -V to Price Code No.

DIMENSIONS

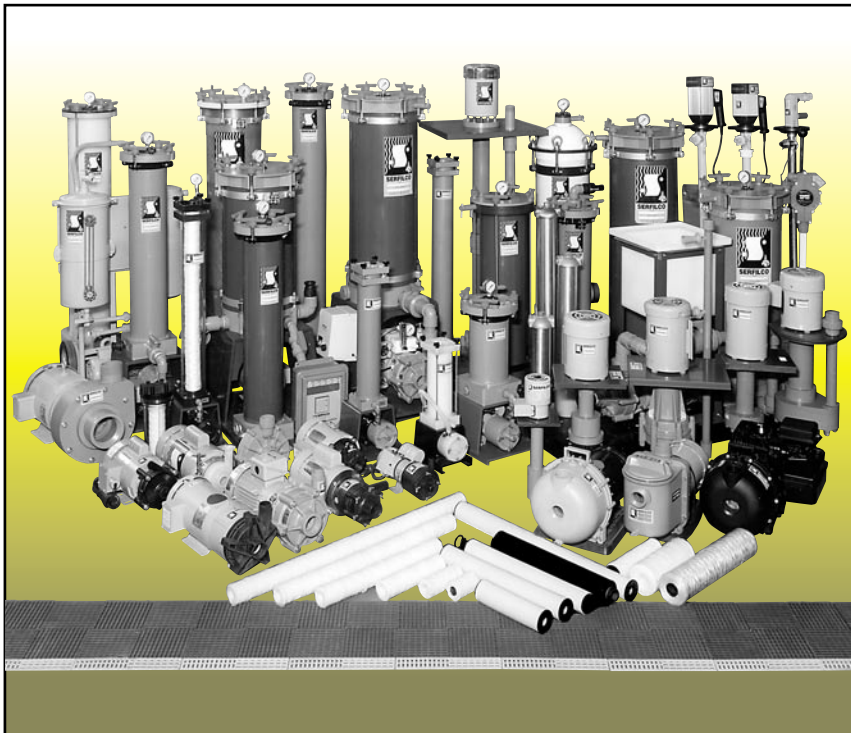
CHAMBER					CARTRIDGES - MAX. DIA 2-5/8"				SLEEVE ASSEMBLY			
SIZE	HEIGHT (A)		SHIPPING WT		SIZE & NUMBER				Solids Area sq. ft.	LENGTH in.	SOLIDS AREA sq. ft.	PRICE CODE NO.
	in.	mm.	lbs.	kg.	10"	20"	30"	40"				
30(1)	16-5/8	422	13	6	3	-	-	-	10.5	10	1.8	78-0194
60(2)	26-5/8	676	25	11	6	3	-	-	21.0	20	3.6	78-0195
90(3)	36-5/8	930	38	17	9	-	3	-	31.5	30	5.4	78-0196
120(4)	46-5/8	1184	50	23	12	6	-	3	42.0	40	7.2	78-0416



SERFILCO[®], LTD.

2900 MacArthur Blvd. 847-509-2900
Northbrook, IL 60062-2005 U.S.A. 800-323-5431
e-mail: sales@serfilco.com FAX: 847-559-1995
www.serfilco.com

SERFILCO — YOUR ONE-STOP SOURCE FOR PUMPING, FILTRATION AND PURIFICATION NEEDS!



SERFILCO can help you realize the economic value of clarification and purification of your process solutions and waste streams. Our wide range of pumps, filters, packaged systems, accessories and related control instruments make it possible for you to take advantage of one-stop shopping for all of your liquid handling needs. With modern filtration technology at work in your facility, you can reduce waste, lower your manufacturing costs, and enhance product integrity.

We've been serving industry world-wide for over 40 years. We're ready to serve you, too!