



# SERFILCO®

## SERIES 'GH-HP' PLASTIC FILTER CHAMBERS

BULLETIN  
C-114\_B  
SEPT 2010



**WATER TREATMENT / FOOD PROCESSING  
CLEANING / PHOTOGRAPHIC  
ELECTROPLATING / PHARMACEUTICAL  
CHEMICAL / PETROCHEMICAL / BEVERAGE**

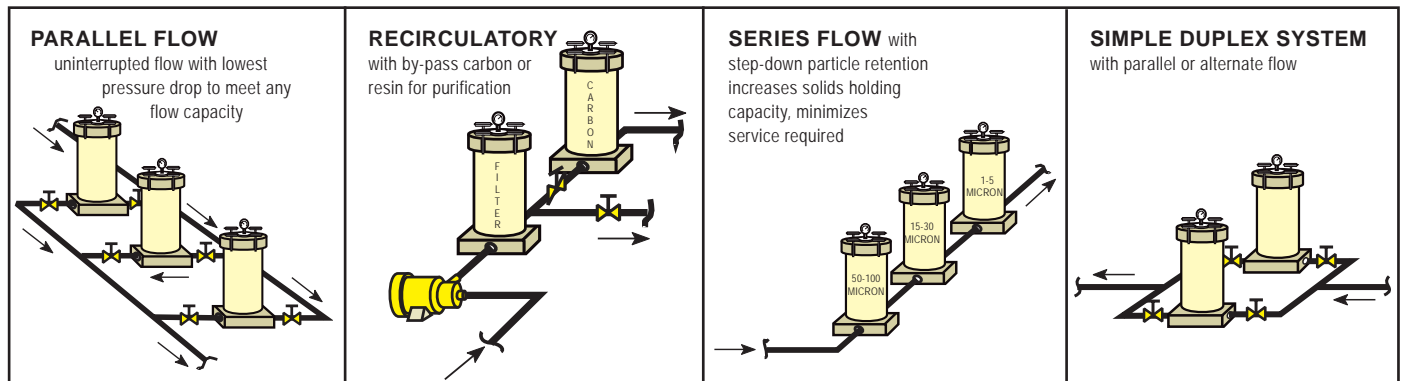
These filter chambers are designed for filtering process solutions where clarification will extend operating life and improve quality.

### FEATURES:

- **Non-metallic solution contact**  
CPVC, PVC, polypropylene or pure PVDF construction  
(See Chemical Resistance Chart)
- **Heavy duty construction**
  - High Pressure to 140 PSI (965 K Pa)  
(See Pressure/temperature table)
  - SS tie rod cover closure with tee handles
  - Pressure gauge with gauge guard and vent valve or plug
  - Cartridge guides with screw-on caps for positive cartridge seal
- **Variety of sizes are available**  
From 4 to 55 - 10" cartridge capacity  
(or equivalent 20", 30", or 40" lengths)
- **Port sizes 1½", 2" & 3" NPT or flange depending on model**

The Series 'GH-HP' Filter Chambers feature heavy duty construction to meet difficult high pressure and/or temperature applications. They utilize machined bases and covers with tie rod cover closures for extra strength.

Series 'GH-HP' chambers are offered in a wide variety of sizes with flows to 275 GPM. Materials of construction offerings include PVC, CPVC, polypropylene, and PVDF.



## SERIES 'GH-HP' CHAMBERS Specifications and Ordering information

Tie rod closure with tee handles, stainless steel shell hold-down bracket, top reinforcing plate, 0-60 PSI pressure gauge and guard, EPDM gaskets, drain plugs. All fasteners are stainless steel. For DOE cartridges.			MODEL NUMBER	PRICE CODE NUMBER	CARTRIDGE		SHIPPING WEIGHT lbs.
					NUMBER of 10" CARTS.	SOLIDS AREA sq. ft.	
PL	PVC base, cover and shell, CPVC vent valve and internals.	CONNS. 1½" NPT	PL50 1½-G3A-HP	78-0520	5	17.5	45
			PL100 1½-G3A-HP	78-0521	10	35.0	55
			PL150 1½-G3A-HP	78-0522	15	52.5	65
			PL200 1½-G3A-HP	78-0523	20	70.0	75
		2" NPT	PL220 2-G3A-HP	78-0321	22	77.0	94
			PL330 2-G3A-HP	78-0322	33	115.5	101
			PL440 2-G3A-HP	78-0323	44	154.0	109
			PL550 2-G3A-HP	78-0324	55	192.5	116
		3" NPT	PL330 3-G3A-HP	78-1328	33	115.5	101
			PL440 3-G3A-HP	78-1329	44	154.0	109
			PL550 3-G3A-HP	78-1330	55	192.5	116
PPL	Polypropylene base, cover, and shell. Polypropylene vent valve and internals	2" Flange	PPL70 2F-G3-HP	78-1377	7	24.5	30
			PPL140 2F-G3-HP	78-1378	14	49.0	60
			PPL210 2F-G3-HP	78-1379	21	73.5	90
			PPL280 2F-G3-HP	78-1380	28	98.0	120
CL	CPVC base, cover and shell with CPVC vent valve and internals.	1½" NPT	CL50 1½-G3A-HP	78-1146A	5	17.5	45
			CL100 1½-G3A-HP	78-1147A	10	35.0	55
			CL150 1½-G3A-HP	78-1148A	15	52.5	65
			CL200 1½-G3A-HP	78-1149A	20	70.0	75
		2" NPT	CL220 2-G3A-HP	78-0111	22	77.0	94
			CL330 2-G3A-HP	78-0112	33	115.5	101
			CL440 2-G3A-HP	78-0113	44	154.0	109
			CL550 2-G3A-HP	78-0114	55	192.5	116
		3" NPT	CL330 3-G3A-HP	78-1331	33	115.5	101
			CL440 3-G3A-HP	78-1332	44	154.0	109
			CL550 3-G3A-HP	78-1333	55	192.5	116
KL	PVDF cover and base, PVDF shell sealed to base. PVDF vent plug, and internals.	1½" Flange	KL40(1) 1½F-G3-HP	78-0479	4	14.0	45
			KL80(2) 1½F-G3-HP	78-0480	8	28.0	55
			KL120(3) 1½F-G3-HP	78-0481	12	42.0	65
			KL160(4) 1½F-G3-HP	78-0482	16	56.0	75
		2" Flange	KL70 2F-G3-HP	78-0454	7	24.5	55
			KL140 2F-G3-HP	78-0455	14	49.0	115
			KL210 2F-G3-HP	78-0456	21	73.5	175
			KL280 2F-G3-HP	78-0457	28	98.0	230

### PRESSURE/TEMPERATURE

MAXIMUM PSI PRESSURE AT OPERATING TEMPERATURE							
TEMP. °F	PL		PPL	CL		KL	
	1½"	2" & 3"	2"	1½"	2" & 3"	1½"	2"
70	140	110	100	140	110	135	120
100	95	75	64	120	100	110	95
120	60	50	52	100	80	90	80
140	35	25	40	75	60	80	70
170	-	-	31	50	30	60	55
200	-	-	-	30	25	50	45

FLOW RATE vs. PRESS. DIFFERENTIAL <sup>1</sup>		
MODEL	@ 5 PSI	@ 15 PSI
1½" 'GH-HP'	70 GPM	125 GPM
	265 LPM	473 LPM
2" 'GH-HP'	115 GPM	145 GPM
	435 LPM	549 LPM
3" 'GH-HP'	170 GPM	275 GPM
	643 LPM	1040 LPM

<sup>1</sup> With 15 micron depth wound cartridges.

### OPTIONAL

TO ORDER ADD TO	MODEL NO.	
	PRICE CODE NO.	
Flange connections: CPVC	1½"	78-0458
	2"	78-0459
	3"	78-1344
Viton elastomers	change L to V	- V

TO ORDER	ADD TO	
	MODEL NO.	PRICE CODE NO.
222 "O"-ring seat for SOE (Single open end flat top) cartridge.	- 2	- 2

**SERIES 'GH-HP' CHAMBERS Dimensions**

**DIMENSIONS**

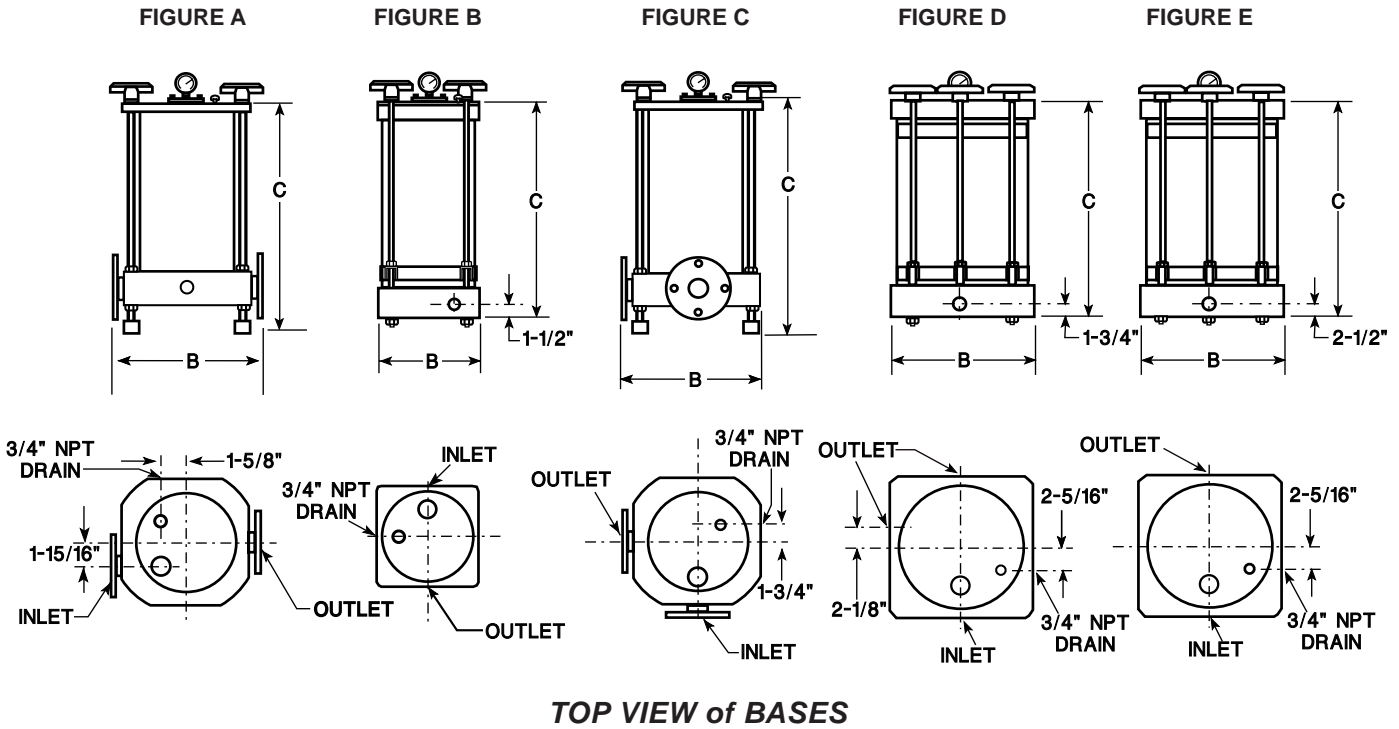
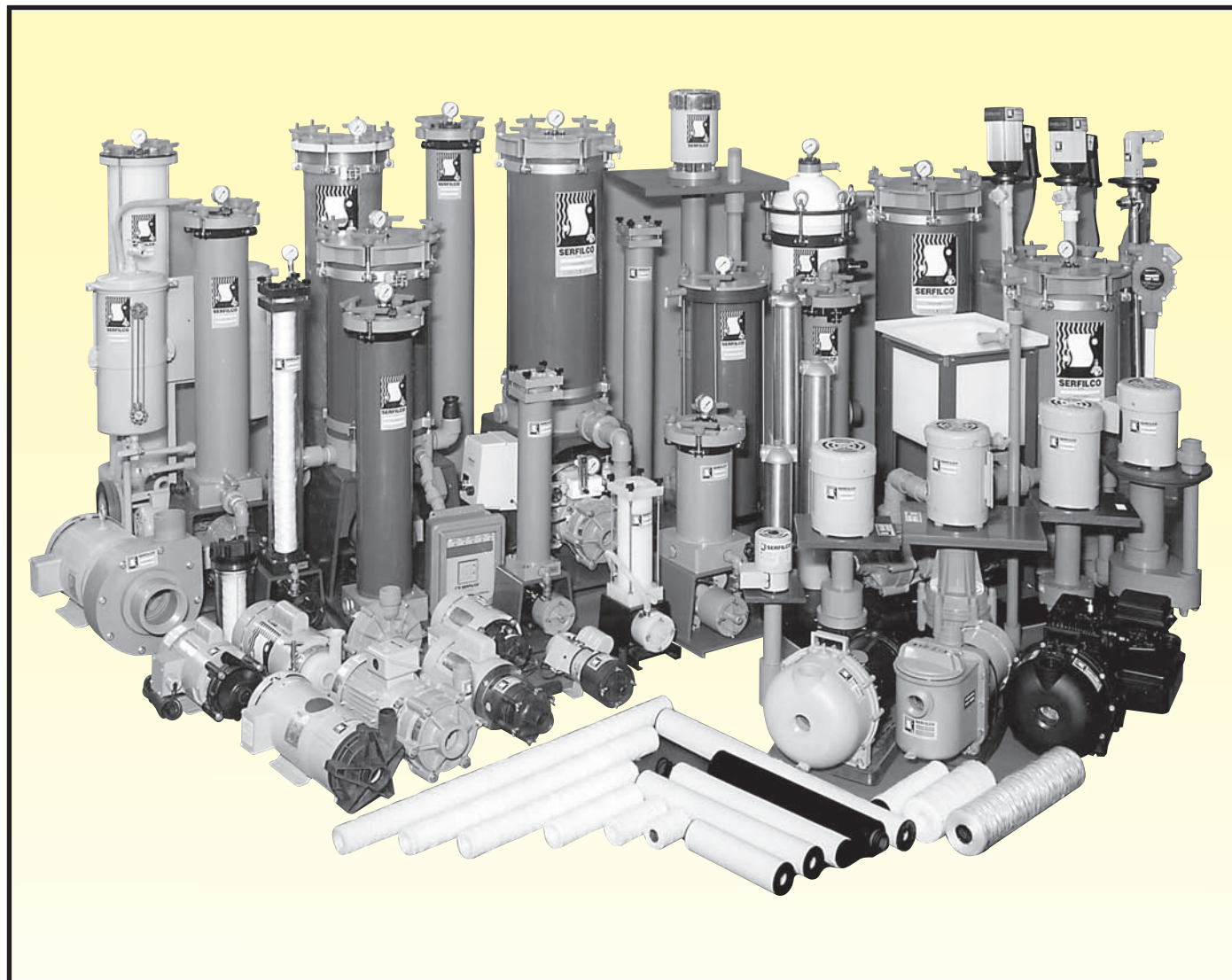


FIGURE	CHAMBER MODEL	PORT SIZE	B WIDTH in.	C HEIGHT in.	CARTRIDGES*				CLEANABLE SLEEVES	
					10"	20"	30"	40"	NO.	LENGTH in.
A	KL40 1½F KL80 1½F KL120 1½F KL160 1½F	1½" FLANGE	13½ INCLUDES FLANGES	21	4	-	-	-	4	10
				31	8	or 4	-	-		20
				41	12	-	or 4	-		30
				51	16	or 8	-	or 4		40
B	CL, PL50 1½ CL, PL100 1½ CL, PL150 1½ CL, PL200 1½	1½" NPT	10 SQUARE	20½	5	-	-	-	5	10
				30½	10	or 5	-	-		20
				40½	15	-	or 5	-		30
				50½	20	or 10	-	or 5		40
C	PPL, KL70 2F PPL, KL140 2F PPL, KL210 2F PPL, KL280 2F	2" FLANGE	14½ INCLUDES FLANGES	24	7	-	-	-	7	10
				34	14	or 7	-	-		20
				44	21	-	or 7	-		30
				54	28	or 14	-	or 7		40
D	CL, PL 2 CL, PL 2 CL, PL 2 CL, PL 2	2" NPT	15½ SQUARE	31	22	or 11	-	-	11	20
				41	33	-	or 11	-		30
				51	44	or 22	-	or 11		40
				61	55	or 11	+ 11	-		50
E	CL, PL 3 CL, PL 3 CL, PL 3	3" NPT	15½ SQUARE	42½	33	-	11	-	11	30
				52½	44	or 22	-	or 11		40
				62½	55	or 11	+ 11	-		50

\* Maximum cartridge diameter: All PPL and PL & CL 50, 100, 150 & 200 - 2-5/8 inches. All others - 2-3/4 inches.

# Also available from SERFILCO:



## Your one-stop source for pumping, filtration and purification needs!

SERFILCO can help you realize the economic value of clarification and purification of your process solutions and waste streams. Our wide range of pumps, filters, packaged systems, accessories and related control instruments make it possible for you to take advantage of one-stop shopping for all of your liquid handling needs. With modern filtration technology at work in your facility, you can reduce waste, lower your manufacturing costs, and enhance product integrity.

We've been serving industry worldwide for 50 years. We're ready to serve you, too!

F.O.B. Northbrook, Illinois

Specifications subject to change without notice.

Registered trademark:

Viton - DuPont Dow Elastomers



# SERFILCO®

2900 MacArthur Blvd.  
Northbrook, IL 60062-2005  
U.S.A.  
[www.serfilco.com](http://www.serfilco.com)

(800) 323-5431  
(847) 509-2900  
Fax: (847) 559-1141  
[sales@serfilco.com](mailto:sales@serfilco.com)

DISTRIBUTED BY