

# SERFILCO®

## SERIES 'GC' FILTER CHAMBERS

BULLETIN  
C-113A  
JUNE 2003

**For: ACID / AQUEOUS / CHEMICAL / ELECTROPLATING / WASTE TREATMENT**



**SERIES 'GC'  
MODEL CL480(4) SC 2 G3A**

These filter chambers are designed for filtering process solutions where clarification will extend operating life and improve quality.

### FEATURES:

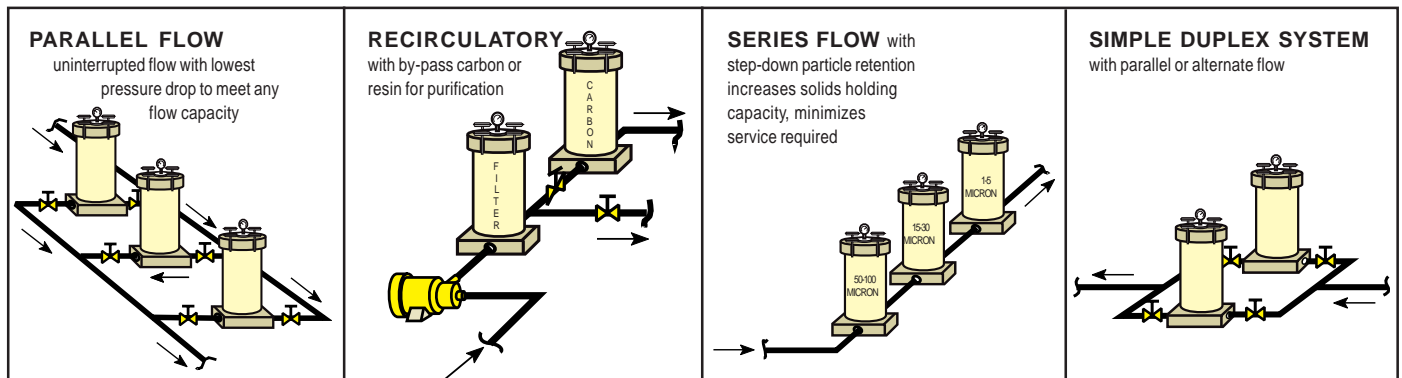
- **Non-metallic solution contact**  
PVC or CPVC with Viton® or EPDM elastomers  
*(See a chemical resistance chart)*
- **Heavy duty construction** – shell cemented to base – no leaks
- **High flow rate, low pressure drop**  
2" connections
- **High capacity** —  
12 - 20", 30", 40" or 50" filter cartridges
- **Easy to operate** – swing bolts with 'T'-handles, 60 psi gauge with guard assembly, air vent valve and drain port

### BENEFITS:

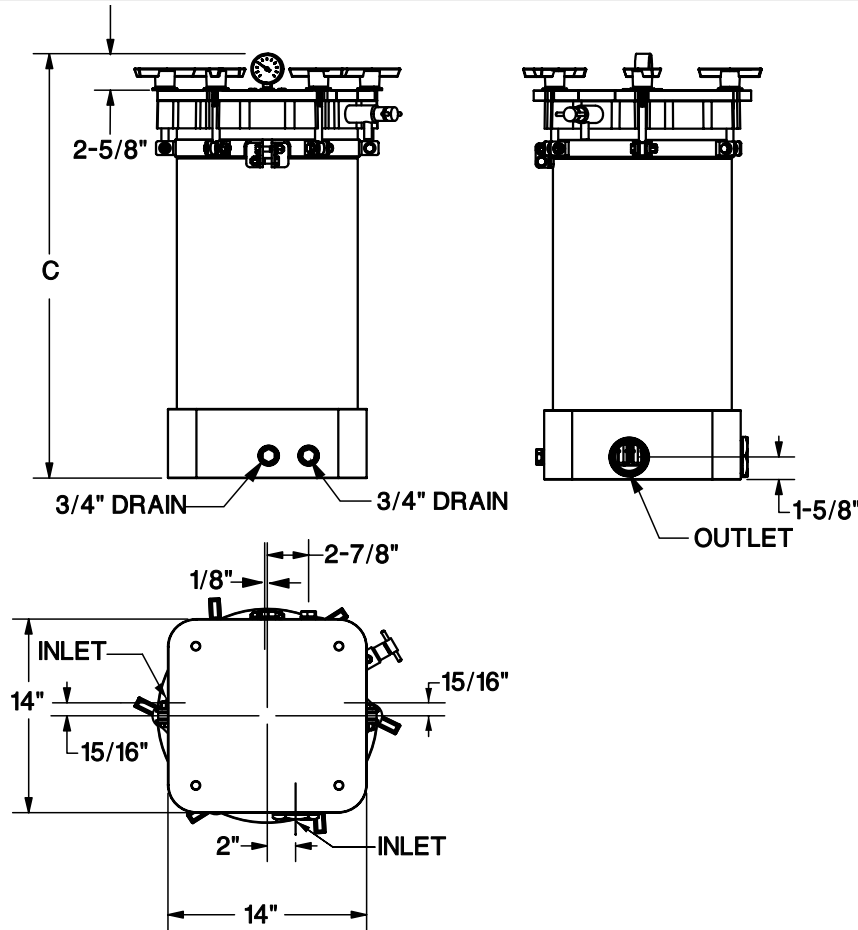
- **Will not leak at base.** Shell and base cemented together
- **Long service life** — will not rust or corrode
- **Easy to install and operate**
- **Improve finished goods quality**  
Eliminate scrap and rework

Series 'GC' chambers feature a precision CNC machined base and molded cover. The innovative base design has 2" inlet and outlet ports providing low pressure differential. The base includes 3/4" plugged drain ports for ease of maintenance. The shell is cemented to the machined base to eliminate leakage and warping. The cover includes a vent valve, 0-60 psi pressure gauge with guard assembly, and an FRP cover plate. The cover is secured with swing

bolts and 'T'-handles (no tools are required to change cartridges). The shell is 12" diameter and will hold 12 - 20", 30", 40" or 50"\* D.O.E. (double open end) style cartridges. Internals included are CPVC cross posts and polypropylene cap springs to ensure proper cartridge location and eliminate solution by-pass. The base, shell and cover are PVC or CPVC for totally non-metallic solution contact. Elastomers are EPDM or Viton and all external hardware is stainless steel.



**SERIES 'GC' FILTER CHAMBERS Specifications, Dimensions and Ordering Information**



FLOW RATE	vs.	PRESSURE DIFFERENTIAL
115 GPM	@	5 PSI
145 GPM	@	15 PSI

MAXIMUM PSI		@ OPERATING TEMP.
PVC	CPVC	
80	80	70°F
75	75	100°F
40	70	120°F
25	55	140°F
—	35	170°F
—	30	200°F

TO ORDER, use Price Code Number						
MATERIALS	PORT SIZE NPT	NO. CARTS.	MODEL NUMBER	DIM. 'C'	PRICE CODE NUMBER	SHIP. WT. (lbs.)
PVC/EPDM	2"	12 - 20"	PL240(2)SC 2 G3A	30-11/16"	78-1671 P	115
		12 - 30"	PL360(3)SC 2 G3A	40-11/16"	78-1672 P	125
		12 - 40"	PL480(4)SC 2 G3A	50-11/16"	78-1673 P	135
		12 - 50"	PL600(5)SC 2 G3A	60-11/16"	78-1674 P	145
CPVC/EPDM	2"	12 - 20"	CL240(2)SC 2 G3A	30-11/16"	78-1671 C	115
		12 - 30"	CL360(3)SC 2 G3A	40-11/16"	78-1672 C	125
		12 - 40"	CL480(4)SC 2 G3A	50-11/16"	78-1673 C	135
		12 - 50"	CL600(5)SC 2 G3A	60-11/16"	78-1674 C	145

SLEEVE SET (12) CPVC & POLYPROPYLENE		
LENGTH	SOLIDS AREA sq. ft.	Add PRICE CODE NO.
20	14.4	78-0201
30	21.6	78-0202
40	28.8	78-0203
50	36.0	78-0204

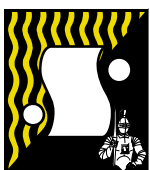
For Viton elastomers:  
add -V to Price Code Number and change L to V in Model Number

OPTIONAL	ADD TO MODEL NO.	ADD TO PRICE CODE NO.
222 "O"-ring seat for SOE (Single open end flat top) cartridge. Top seats, springs and cross posts not furnished.	- 2	- 2

F.O.B. Northbrook, Illinois

Specifications subject to change without notice.

Registered trademark: Viton - DuPont Dow Elastomers



**SERFILCO<sup>®</sup>, LTD.**

2900 MacArthur Blvd. 847-509-2900  
Northbrook, IL 60062-2005 U.S.A. 800-323-5431  
e-mail: sales@serfilco.com FAX: 847-559-1995  
www.serfilco.com

DISTRIBUTED BY