



SERFILCO®

SERIES 'HD' PLASTIC FILTER CHAMBERS

BULLETIN
C-111B (SPEC.)
OCT. 2003

For:

**PHARMACEUTICALS ● FOOD ● D.I. WATER
BEVERAGES ● CHEMICALS**



FEATURES

- High purity non-metallic solution contact — Precision CNC machined from premium grade PVDF or natural pure polypropylene
- Proven durability and ease of service
- Standard heavy duty flange connections for ease of installation and trouble-free operation
- Standard 0-60 PSI gauge, air vent valve and drain port
- For use with standard 10", 20", 30" or 40" double open end (DOE) or single open end (SOE), 222 style filter cartridges
- Flow rates to 150 GPM

BENEFITS

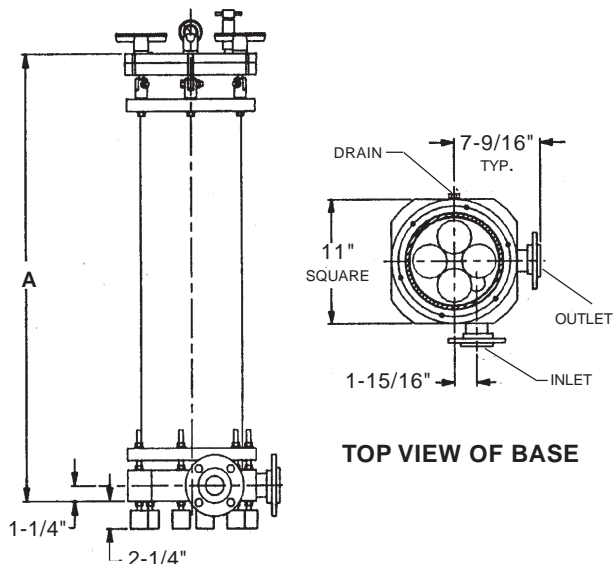
- Economical — Easy installation, operation and maintenance
- Efficient — High flow rate, low pressure drop saves energy
- Improves quality of finished product

SPECIFICATIONS

SERIES 'HD' filter chambers are precision CNC machined from high purity PVDF or natural pure polypropylene. Chambers feature a swing bolt cover closure with 'T'-handles for ease of cartridge service — no tools are required. Precision machined covers feature FRP reinforcing plate to ensure positive liquid containment. Standard 0 - 60 PSI gauge guard, vent valve and drain port are designed to simplify operation and maintenance. Standard flange connections are 1½" with rugged 316 stainless steel back plates for ease of installation and to ensure leak-free operation. All external fasteners are 316 stainless steel; standard elastomers are EPDM. Chambers are designed for use with 4 - 10", 20", 30" or 40" double open end or SOE style filter cartridges.

SERIES 'HD' CHAMBER Specifications

DIMENSIONS



FLOW RATE vs. PSI
70 GPM = 5 Δ P
125 GPM = 15 Δ P

MAX. PSI PRESSURE @ OPERATING TEMPERATURE		
TEMPERATURE	PSI	
	Polypropylene	PVDF
80°F	58	90
100°F	51	76
120°F	45	65
140°F	39	55
160°F	30	47
180°F	Not recommended	40
200°F	Not recommended	34

SPECIFICATIONS and ORDERING INFORMATION

CHAMBER FOR DOUBLE OPEN END CARTRIDGES *

MODEL	MATERIAL	CONNECTIONS	NO. of CARTRIDGES **	MAX. CART. LENGTH	HEIGHT A SHIP.	WT. Lbs. TO	ORDER, USE PRICE CODE NO.
PPL40(1) SH 1½F	Polypropylene	1½" flange	4 - 10"	10 ¹ / ₈ "	16½"	35	78-1650 LD
PPL80(2) SH 1½F			4 - 20"	20 ¹ / ₈ "	26½"	40	78-1651 LD
PPL120(3) SH 1½F			4 - 30"	30 ¹ / ₈ "	36½"	45	78-1652 LD
PPL160(4) SH 1½F			4 - 40"	40 ¹ / ₈ "	46½"	50	78-1653 LD
KL40(1) SH 1½F	PVDF	1½" flange	4 - 10"	10 ¹ / ₈ "	16½"	55	78-1654 LD
KL80(2) SH 1½F			4 - 20"	20 ¹ / ₈ "	26½"	65	78-1655 LD
KL120(3) SH 1½F			4 - 30"	30 ¹ / ₈ "	36½"	75	78-1656 LD
KL160(4) SH 1½F			4 - 40"	40 ¹ / ₈ "	46½"	85	78-1657 LD

NOTE: For Viton® elastomers, change **L** to **V** in Model and Price Code No.

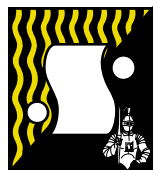
* To order chamber for SOE cartridges, add -2 to Model and drop the **D** from the Price Code Number.
** Cartridges ordered separately. Refer to Bulletin M-109 for DOE or M-207-2 for SOE cartridges.

Registered Trademark: Viton - DuPont Dow Elastomers

F.O.B. Northbrook, Illinois

Specifications subject to change without notice.

DISTRIBUTED BY



SERFILCO®, LTD.
2900 MacArthur Blvd. 847-509-2900
Northbrook, IL 60062-2005 U.S.A. 800-323-5431
e-mail: sales@serfilco.com FAX: 847-559-1995
www.serfilco.com