



WATER TREATMENT / D.I. WATER R.O. & U.F. PREFILTER BRACKISH WATER/SEA WATER WASTE TREATMENT / INDUSTRIAL LIQUIDS

- **Non-metallic solution contact**
PVC construction
with EPDM "O"-ring (Viton® optional)
(See a chemical resistance chart)
- **Heavy Duty construction**
 - Rated 125 PSI at 70° F (8.5 BAR @ 21°C.)
 - Cartridge guides with screw-on caps for positive cartridge seal
- **Cartridge capacity**
From 7 to 28-10" cartridge capacity
(or equivalent 20",30", or 40" lengths)
- **Quick openings for easy servicing**
- **2" NPT connections**
1/2" NPT drain and 1/4" NPT vent
Choice of outlet direction

The Series 'WT' Plastic Filter Chamber is designed for total corrosion resistance, versatility of use, high flow rates at low pressure drop and ease of cartridge replacement. Each model holds seven of 10", 20", 30" or 40" filter cartridges and offers a choice of depth wound, pleated or carbon media. Quick opening eye nut-swing bolt closure allows

ease of cartridge exchange without tools, spillage or chamber draining. Cartridges are securely sealed by means of cartridge guides with screw-on caps. Standard location of outlet is opposite inlet as illustrated above. Outlet may also be provided at 90° increments to offer the most convenient arrangement for piping.

TO ORDER, use Price Code Number

DESCRIPTION	MODEL NUMBER	PRICE CODE NUMBER
Floor standing unit constructed of high luster white PVC. Includes EPDM "O"-ring, stainless steel swing bolt closure with eye nuts and vinyl coated bracket. Inlet/outlet connections are 2" NPT with 1/2" NPT drain and 1/4" NPT vent plug.	PL70S-2	78-1290
	PL140S-2	78-1291
	PL210S-2	78-1292
	PL280S-2	78-1293



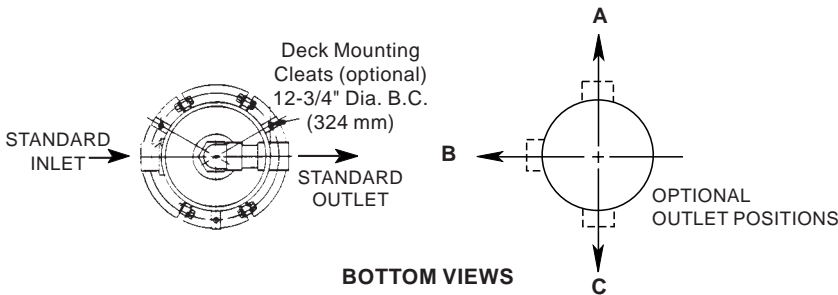
OPTIONAL

DESCRIPTION	ADD to MODEL NO.	ADD TO OR SEPARATE PRICE CODE NO.
Pressure gauge, 0-160 PSI, on polypropylene gauge guard with diaphragm and CPVC vent valve	-G7	78-0078
Optional outlet direction	-A, B or C	-A, B or C
Viton "O"-ring, change L to V in Model Number		-V
Flange connections, 2" PVC	-F	78-1122
Deck anchor cleats (set of three)	-D	78-1124A

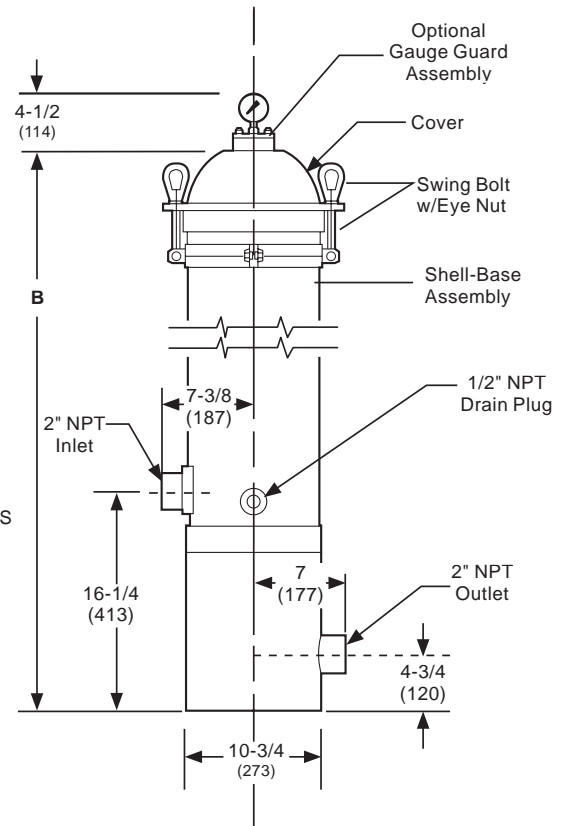
DIMENSIONS

FLOW RATE * @ PRESSURE DIFFERENTIAL			
GPM	LPM	PSI	Bar
35	132	1	.07
70	265	1	.07
105	397	2	.14
140	530	2	.14

* Using 10 micron polypropylene depth cartridges, 5 GPM/10" length.



The use of a standpipe or pulsation dampener is recommended when operating with high pressure pumps or quick closing valves, due to the possibility of damage by water hammer.



MODEL NUMBER	HEIGHT B		SHIPPING WT.		CARTRIDGE CAPACITY		SOLIDS DEPTH AREA	MAXIMUM FLOW		MAXIMUM PSI AT OPERATING TEMP.		
	Inches	mm	Lbs.	Kg.	10 inch	Unit length	Sq. ft.	U.S. GPM	LPM	ALL MODELS	Temp.	Max. PSI
PL70S-2	29-3/8	746	55	25	7	7 of 10"	24.5	70	265		70°F	125
PL140S-2	39-3/8	1000	60	27	14	7 of 20"	49.0	100	378		100°F	77
PL210S-2	49-3/8	1254	65	29	21	7 of 30"	73.5	140	530		120°F	50
PL280S-2	59-3/8	1508	75	34	28	7 of 40"	98.0	140	530	140°F	28	