



NON-SKID, ANTI-FATIGUE, INSULATING



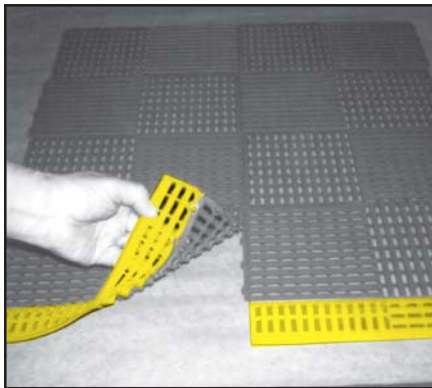
Scores of applications:

- Walkways around machinery*
- Assembly lines / Entryways*
- Showers / Freezers / Work benches*
- Processing areas / Livestock pens*
- Marine installations / Truck beds*

- Prevent accidents on slippery surfaces
- Prevent cold, fatigued feet
- Protects surfaces
- Recycled PVC



Made from recycled materials.

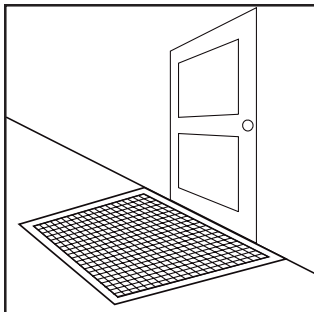


EASY TO INSTALL

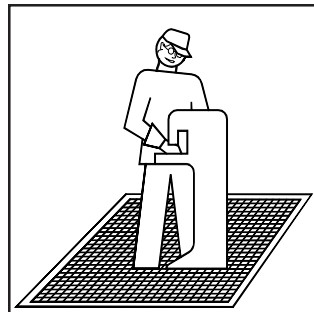
Modular design, snap-together 12" x 12" x 3/8" tiles are easily assembled to fit your floor layout. Beveled, 12" x 2-1/8" yellow OSHA edge strips provide easy access to mat for personnel, rolling equipment, and vehicles. Modular design provides best value per covered area. Does not require extra connectors.

POLYMAT PVC floor mats provide an economical method to reduce fatigue and promote safer working conditions in the workplace. Ergonomically designed to cushion feet from cold concrete floors, while at the same time they provide an anti-skid, elevated surface in wet, slippery areas.

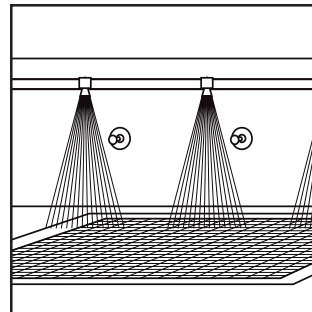
Molded from 100% recycled plastic, the mats contain U. V. stabilizers and fungus inhibitors to help fight bacteria. They are impervious to most chemicals, oils and grease, and are also anti-static and fire resistant - will not sustain combustion. (See specifications on back page.)



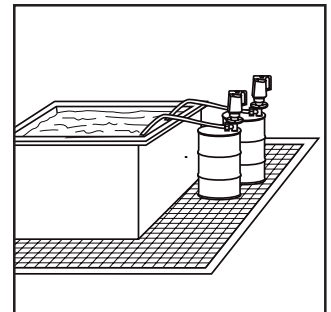
ENTRYWAYS



MACHINERY



SHOWERS



PROCESS AREAS

FEATURES

- **Modular tile format -**
12" x 12" x 3/8" thick (30.5 cm x 30.5 cm x .95 cm)
May be assembled to exact "footprint" desired.
- **Unique interlocking system -**
Provides continuous surface, no trip zones.
- **Snap-together assembly - all sides**
- **Beveled edge - 12" x 2-1/8"** (30.5 cm x 5.4 cm)
Prevents tripping. Provides easy access to mat for pedestrians and rolling equipment.
- **Drainage -**
394 holes / ft.² Will not allow fluids to collect on mat. Underside channels liquid away.
- **Slip resistance -**
Floor hugging design and surface design give maximum anti-skid (ASTM E303-83) action on both sides of mat.
- **Fatigue relief -**
Specially designed, resulting in surface giving continuous comfort.
- **Recycled PVC -**
Contains no metal parts to rust and corrode.
- **U. V. stabilizers / rot resistant -**
Helps fight bacteria and mildew (ASTM G21-90)
- **Resistant -**
Impervious to most chemicals, oils and grease.
- **Color -**
Black tiles, OSHA yellow edge trim
- **Fire resistant -**
Will not sustain combustion. (NFPA 701, ULC 3109)
- **Anti-static**
- **Temperature range - -30° F to 170° F.**

TO ORDER

DESCRIPTION	PRICE CODE NO.	WT./EA.	QUANTITY PRICING			
		ounces	6 - 96	97 - 480	481 - 960	961 +
Black interlocking 12" square tile (packed 24 per carton)	99-1452	11.5	Consult factory for current prices.			
OSHA yellow edge trim	99-1454	2	1 - 23	24 - 95	96 +	
			Consult factory for current prices.			

F.O.B. Northbrook, Illinois



SERFILCO, LTD.

2900 MacArthur Blvd. 847-509-2900
 Northbrook, IL 60062-2005 U.S.A. 800-323-5431
 e-mail: sales@serfilco.com FAX: 847-559-1995
www.serfilco.com



BULLETIN
 A-408B INT
 APRIL 1996

- **Prevent accidents on wet surfaces, entryways, showers, processing areas, garages**
- **Protect surfaces**
- **Prevent cold, fatigued feet**

FEATURES

- **Modular tile format -**
12" x 12" x 3/8" thick (30.5 cm x 30.5 cm x .95 cm)
May be assembled to exact "footprint" desired.
- **Unique interlocking system -**
Provides continuous surface, no trip zones.
- **Snap-together assembly - all sides**
- **Beveled edge - 12" x 2-1/8" (30.5 cm x 5.4 cm)**
Prevents tripping. Provides easy access to mat for pedestrians and rolling equipment.
- **Drainage -**
394 holes / ft.² Will not allow fluids to collect on mat. Underside channels liquid away.
- **Slip resistance -**
Floor hugging design and surface design give maximum anti-skid (ASTM E303-83) action on both sides of mat.
- **Fatigue relief -**
Specially designed, resulting in surface giving continuous comfort.
- **Recycled PVC -**
Contains no metal parts to rust and corrode.
- **U. V. stabilizers / rot resistant -**
Helps fight bacteria and mildew (ASTM G21-90)
- **Resistant -**
Impervious to most chemicals, oils and grease.
- **Colour -**
Black tiles, OSHA yellow edge trim
- **Fire resistant -**
Will not sustain combustion. (NFPA 701, ULC 3109)
- **Anti-static**
- **Temperature range -** -20° C to 75° C

TO ORDER

DESCRIPTION	CODE NUMBER	WEIGHT / EACH		PRICE EACH (ANY QUANTITY)
		pounds	kilograms	
Black interlocking 12" square tile (packed 24 per carton)	99-1452	.7	.3	£ 2-60
OSHA yellow edge trim	99-1454	.12	.06	£ 0-90

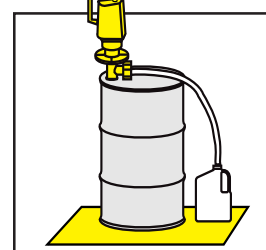
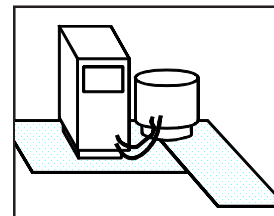
OIL-SORB[®]

Absorbs spills fast!

Economical, universal absorbent for hazardous and nuisance spills.

OIL-SORB is a unique blend of natural and synthetic fibers which can be easily and completely incinerated. It can also be consigned to a landfill for disposal depending on the liquid absorbed. Consult your local disposal regulations.

OIL-SORB is supplied in 100 sheet packs or in rolls. It can easily be cut to fit around fixtures and equipment at your site. Special sizes and shapes can be supplied upon request.



TO ORDER

DIMENSIONS 0.200" thick	CODE NUMBER	WEIGHT	PRICE
18" x 18" sheets (100 sheet pack)	99-1455	Approx. 30 lbs. per 225 ft. ² pack	£ 49
24" x 200 ft. rolls	99-1456	Approx. 50 lbs. per 400 ft. ² roll	£ 76

DENSITY 8 lbs. / cubic foot
OIL CAPACITY 550% (90 L / pack)
WATER CAPACITY 450% (70 L / pack)